

LL01ZZ-EXxxL Data Sheet

For CREE Multi-Color and Single-Color LEDs



Features:

- High efficiency
- Available in 1 beam Patterns
- Optimized for uniform effects
- Lens without Housing

Typical applications :

- Stage Lighting
- Street Lights
- Decorative Light
- Architectural Lighting
- Down Light

Table of Contents

| | |
|--------------------------------|---|
| General Information..... | 2 |
| General Specifications..... | 2 |
| Optical Specifications..... | 3 |
| Mechanical Specifications..... | 4 |
| Illumination charts..... | 5 |
| Package Specifications..... | 6 |
| Product Nomenclature..... | 7 |

General Information

- **Compatible Led Type :**

The LL01ZZ-EXxxL single lens are optimized for both Multi-Color R.G.B CREE LEDs and Single-Color Cree LEDs (Cree MX-6 White) from Cree Opto.⁽¹⁾

- **Beam Angle Type :**

An optimized profile integrate different front shape enable the generation of one lens model : medium beam (40deg).⁽²⁾

- **The Way to Assembly :**

The Lens should be assembled to the PCB board or MCPCB upon LEDs which provides the most appropriate related position, so as to achieve the best uniform results

*** Manually installation or if necessary thermal glue are recommended.**

- **Function :**

LL01ZZ-EXxxL provides exceptional color mixing result with the highest efficiency through careful engineering and precision manufacturing process.

General Specifications

- Lens Material Optical Grade PMMA PC
- Operating Temperature range -40°C ~ + 70°C (upper limit +80°C)
- Storage Temperature range -40°C ~ + 70°C (upper limit +80°C)

*Average transmittance in visible spectrum 400nm~700nm > 90%

Notes:

(1) Cree MX-6 is a trademark of Cree, Inc., for technical information on LEDs, please refer to Cree, Inc., www.cree.com/xlamp.

(2) Typical beam divergence will be affected by different color of LEDs.

Optical Specifications [Typical beam Angle and intensity (cd/lm) of LL01 lens]

• CREE MX-6 LED

| Typical Cone Angle (degree) ⁽³⁾ with CREE MX-6 | | | |
|---|----------|------------|-----------|
| Part Number | Red LEDs | Green LEDs | Blue LEDs |
| LL01ZZ-EX40L | -- | -- | -- |
| | | | |
| | | | |
| | | | |

The typical cone angle measures where the luminous intensity is 90% of the peak value of intensity. This typical cone varies with LED color due to different chip size and chip position tolerance.

| Typical on axis intensity (cd/lm) ⁽⁴⁾ with CREE MX-6 | | | |
|---|----------|------------|-----------|
| Part Number | Red LEDs | Green LEDs | Blue LEDs |
| LL01ZZ-EX40L | -- | -- | -- |
| | | | |
| | | | |
| | | | |

Luminous intensity depends on the flux binning and tolerance of the LEDs. Please refer to the LEDs data sheet for more details on Flux binning and mechanical tolerance.

• CREE MX-6 LED

| Typical Cone Angle (degree) ⁽³⁾ with CREE MX-6 | | | |
|---|------------|-----------------|--|
| Part Number | White LEDs | Warm white LEDs | |
| LL01ZZ-EX40L | 67 | -- | |
| | | | |
| | | | |
| | | | |

The typical cone angle the full angle measured where the luminous intensity is 90% of the peak value of intensity. That typical cone varies with LED color due to different chip size and chip position tolerance.

| Typical on axis intensity (cd/lm) ⁽⁴⁾ with CREE MX-6 | | | |
|---|------------|-----------------|--|
| Part Number | White LEDs | Warm white LEDs | |
| LL01ZZ-EX40L | 310 | -- | |
| | | | |
| | | | |
| | | | |

Luminous intensity depends on the flux binning and tolerance of the LEDs. Please refer to the LEDs data sheet for more detail on Flux binning and mechanical tolerance

Notes:

(3) The typical divergence will be changed by different color, chip size and chip position tolerance. The typical total divergence is the full angle measured where the luminous intensity is half of the peak value.

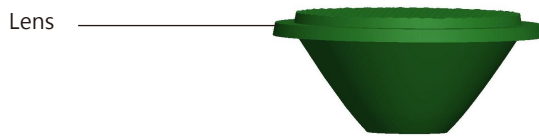
(4) The efficiency value listed above is the total value of the whole lens model, the value depends on the total flux of the LED used. Luminous intensity depends on the LEDs flux and its tolerances, for more details of LED flux, please check Cree data sheet at www.cree.com.

Mechanical Specifications

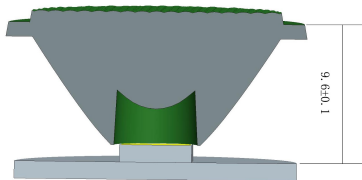
• Usage and Maintenance :

1. If necessary, clean lenses with mild soap, water and soft cloth
2. Never use any commercial cleaning solvents on lenses, like alcohol
3. Please handle or install lenses with wearing gloves, skin oils may damage lens or its optical characteristic.

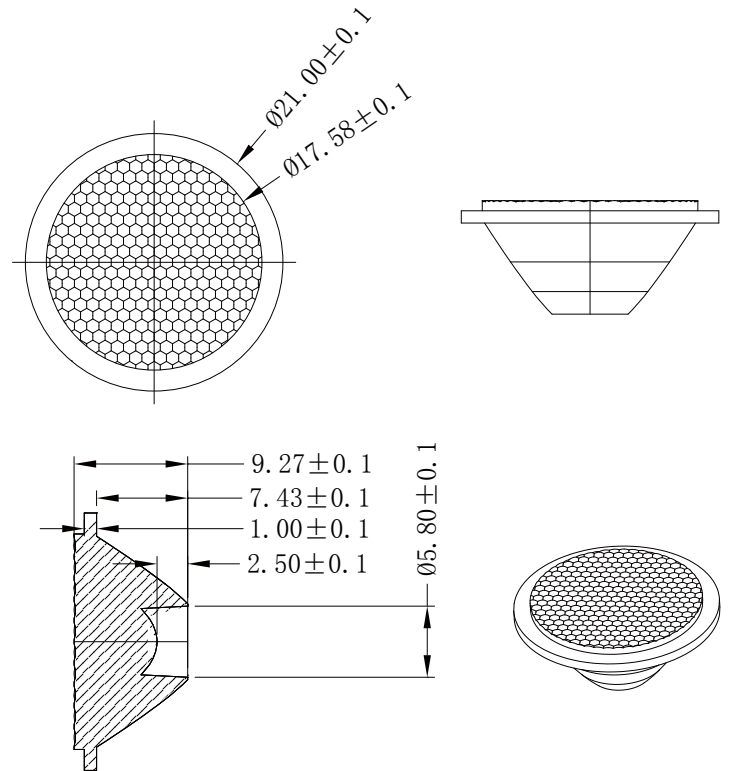
1. Lens + Leds+MCPCB assembly instruction



2. View assembly lens with MCPCB:




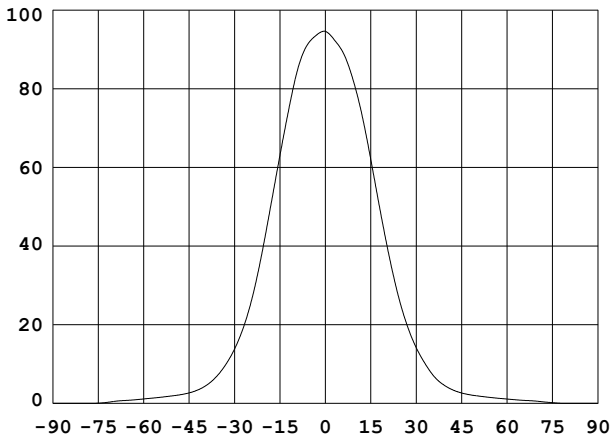
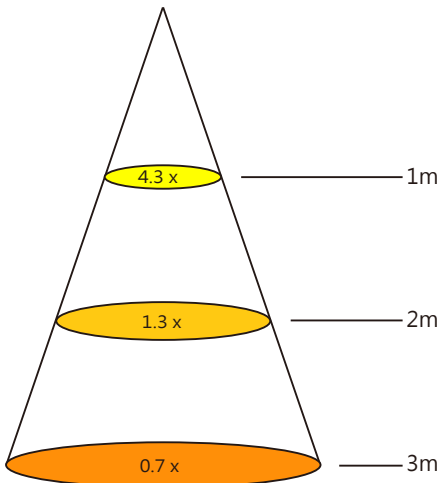
3. Lens dimensions and Top Views:



- Notes:
- (1) All dimensions are in mm.
 - (2) Drawing not to scale.
 - (3) Collimator material is PMMA.

Illumination charts

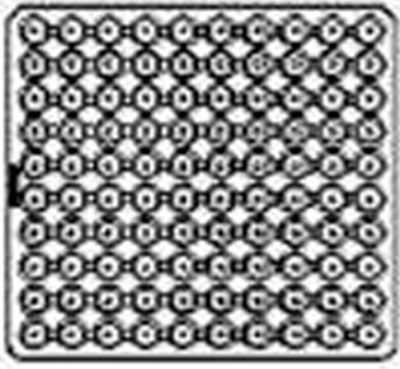
*CREE single white LED: CREE MX-6

| LL01ZZ-EX40L | |
|---|--|
| 1. Beam Pattern | |
|  | |
| 2. Light Distribution Curve | |
|  | |
| 3. Illuminance | |
|  | |

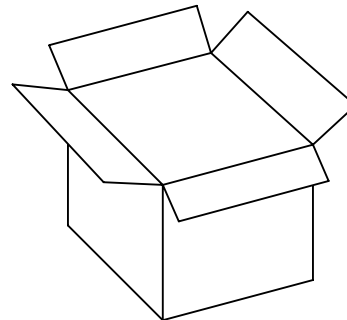
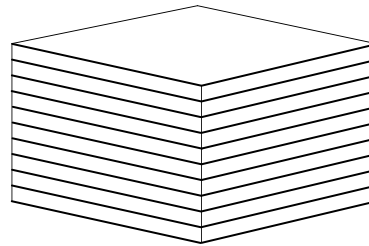
Notes: The Flux of CREE MX-6 LED is 71 lm

Package

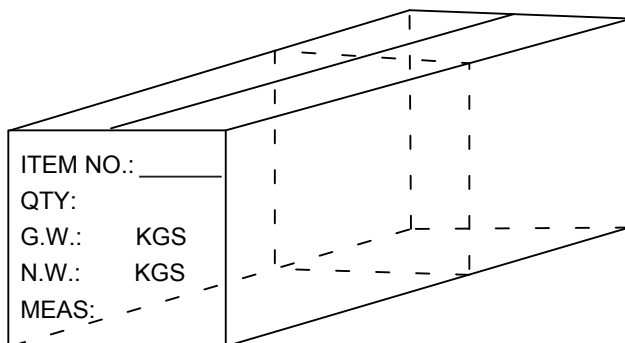
| Item | Quantity | Total | Size (long*width* high) |
|-----------|-----------------------|---------|-------------------------|
| Inner box | 100 | 100pcs | 34*30*3.5 cm |
| Outer box | 10tray/box | 1000pcs | 35*31*21 cm |
| Outer box | 2 inner box/outer box | 2000pcs | 64.7*36.5*24 cm |



100pcs/tray

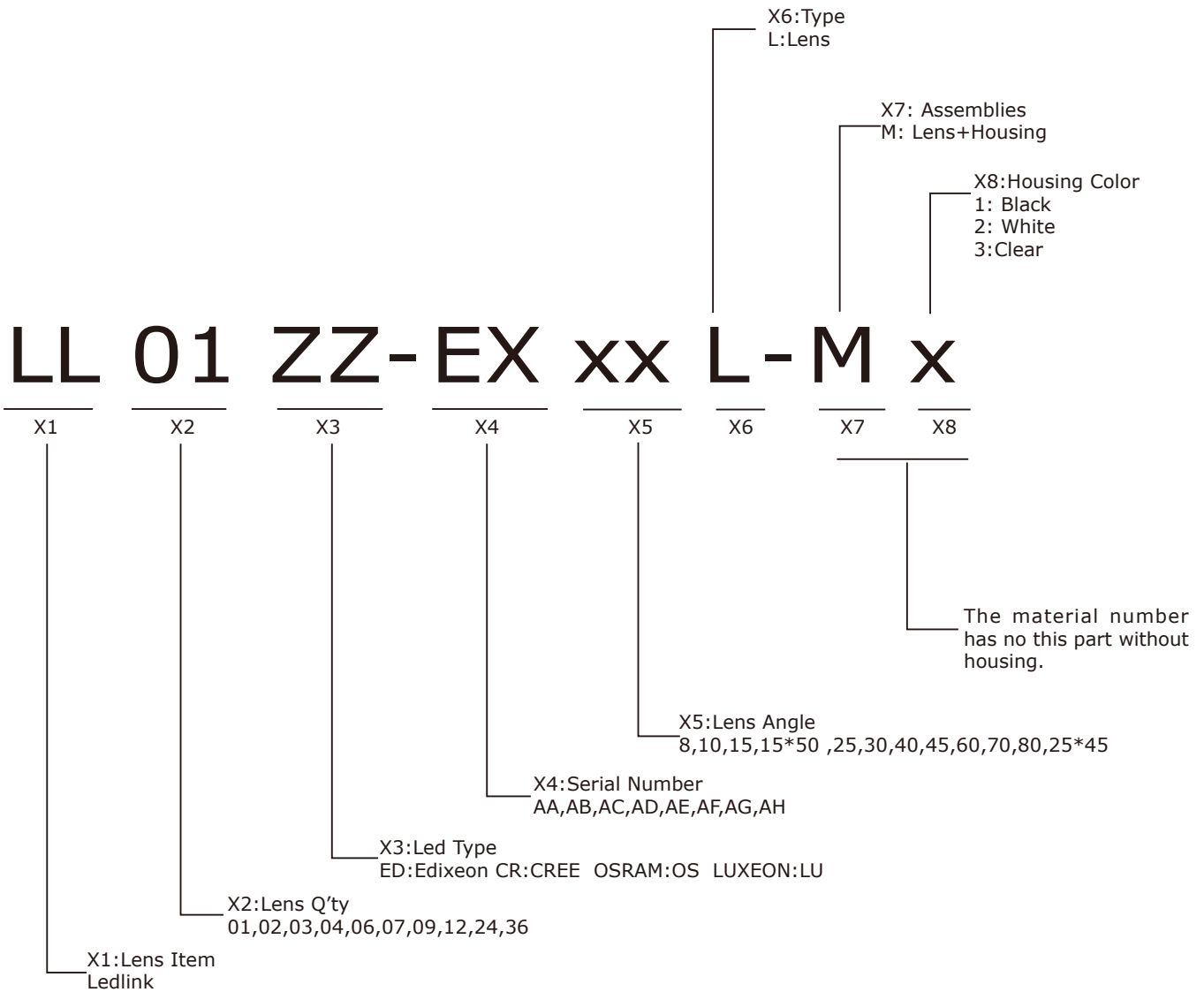


1000pcs/inner box



2000pcs/outer box

Product Nomenclature



X-ON Electronics

Largest Supplier of Electrical and Electronic Components

Click to view similar products for [LED Lighting Lenses](#) category:

Click to view products by [LedLink Optics](#) manufacturer:

Other Similar products are found below :

[LL01ED-AK40L06](#) [LL01ZZ-EX25L06-M2](#) [180182-0000](#) [LL01ED-ALI55R49](#) [C14707_IDA16-O](#) [C12231_LENA-FRESNEL-LENS](#)
[LL01ED-AKY24R49](#) [LL01CR-AYG15R49](#) [LL01CR-OT32L06-M2](#) [LL01ZZ-AAA24L49](#) [LL01CR-CEN38L02](#) [LL01ZZ-AAA55L49](#)
[LL01CR-AYG24R49](#) [LL01A00CZMB2-M2](#) [LL01ED-AKY38R49](#) [LL01CR-CNE2545L06-M2](#) [LL01ZZ-AAA38L49](#) [LL01ED-AKV36R49](#)
[LL01ED-ALI24R49](#) [LL01CR-AYG38R49](#) [C17171_DAISSY-8X1-SHD-MATT](#) [F16859_LINDA-ZT25](#) [C17295_ILONA-ZOOM](#)
[F16636_LINDA-W60](#) [C17362_DAISSY-7X1-W-D](#) [C17361_DAISSY-7X1-WW-D](#) [10003](#) [10003/15](#) [10048](#) [10049](#) [10108](#) [10510](#)
[F14487_FLORENCE-1R-MAXI-WG](#) [12667](#) [C14165_STRADA-2X2-ME-WIDE2](#) [C14605_HB-2X2-RW](#) [C14642_FLORENCE-1R-UP](#)
[CAY033](#) [CAY046/55](#) [FCX11157_RES-O-90](#) [OS-LRI2015X45S](#) [OSOLRA2015M](#) [PG1C-NX36](#) [PG1C-SX17](#) [PM2A-SXV1](#) [PM2B-NX55-](#)
[AW](#) [PM6A-FN25](#) [FC2231-0000-0050-L](#) [FC2231-0000-0100-L](#) [C14116_STRADA-2X2-PX](#)