

# Data Sheet

## LL04CR-CEC09L06



### ■ Features & Typical Applications

- High efficiency
- Available with 1 beam angle
- Optimized Uniformity
- Lens without Holder
- Architectural Lighting
- Commercial Lighting
- Spotlight

### ■ Table of Contents

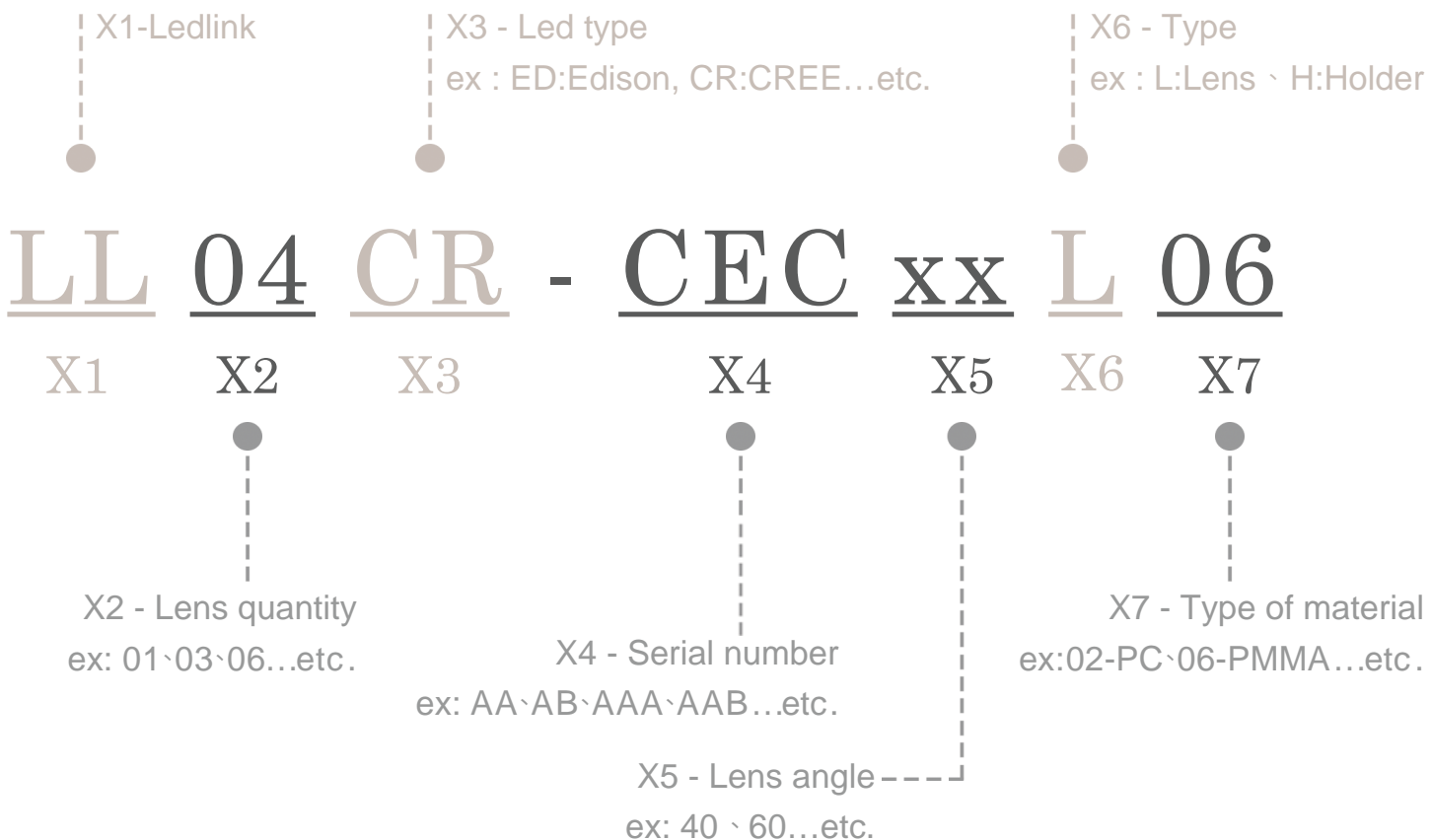
General Information & Product Nomenclature.....	P.2
Optical Specifications .....	P.3
Mechanical Specifications.....	P.4
Package Specifications.....	P.5

# LL04CR-CEC09L06

## General Information

- Lens Material : PMMA 8N.
- Operating Temperature range  $-40^{\circ}\text{C} \sim +70^{\circ}\text{C}$  (upper limit  $+80^{\circ}\text{C}$ ).
- Storage Temperature range  $-40^{\circ}\text{C} \sim +70^{\circ}\text{C}$  (upper limit  $+80^{\circ}\text{C}$ ).  
 \* Average transmittance in visible spectrum  $400\text{nm} \sim 700\text{nm} > 90\%$ .
- Usage and Maintenance:
  1. If necessary, clean lenses with mild soap, water and soft cloth.
  2. Never use any commercial cleaning solvents on lenses, like alcohol.
  3. Please handle or install lenses with wearing gloves, skin oils may damage lens or its optical characteristic.

## Product Nomenclature

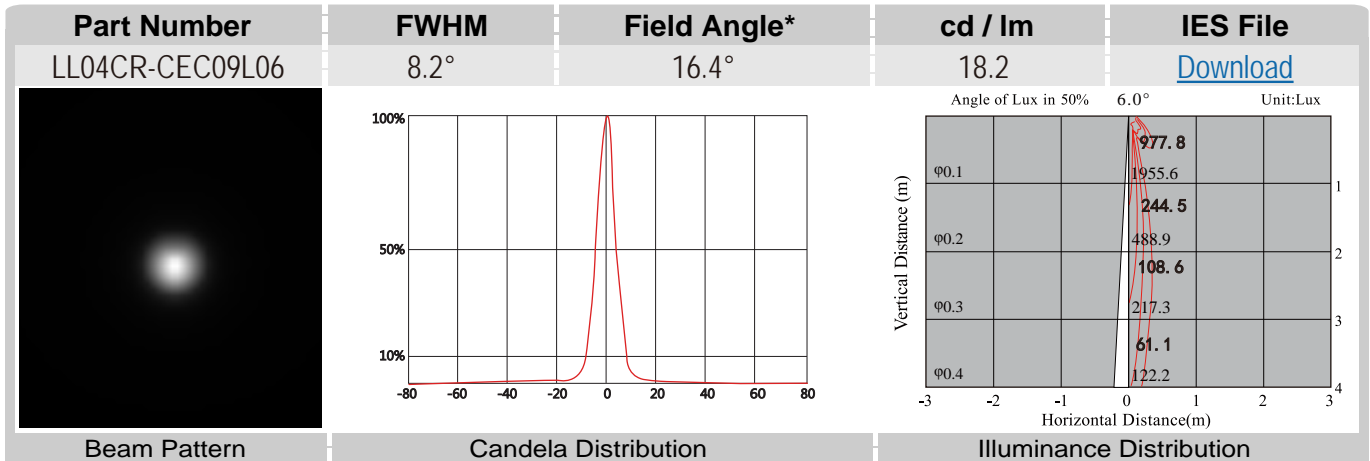


# LL04CR-CEC09L06 Optical Specifications

**CREE**  
LED Solution Provider



Note: (1) All the results of analysis are based on 0 degrees of elevation.  
 (2) Tolerance:  $\pm 10\%$ .  
 (3) Led Luminous Flux(lm): 106.9( $\pm 5\%$ ).



\*The Field Angle is the angle between the two directions opposed to each other over the beam axis for which the luminous intensity is 10% that of the maximum luminous intensity.  
 \*This testing result is obtained through testing the popular rank LED samples which provided by the original manufacturer. Hence, the testing results would be varied as the users choose same LED model but different rank.

# LL04CR-CEC09L06 Mechanical Specification

## 1. Fixing method

 Glue

 Screw

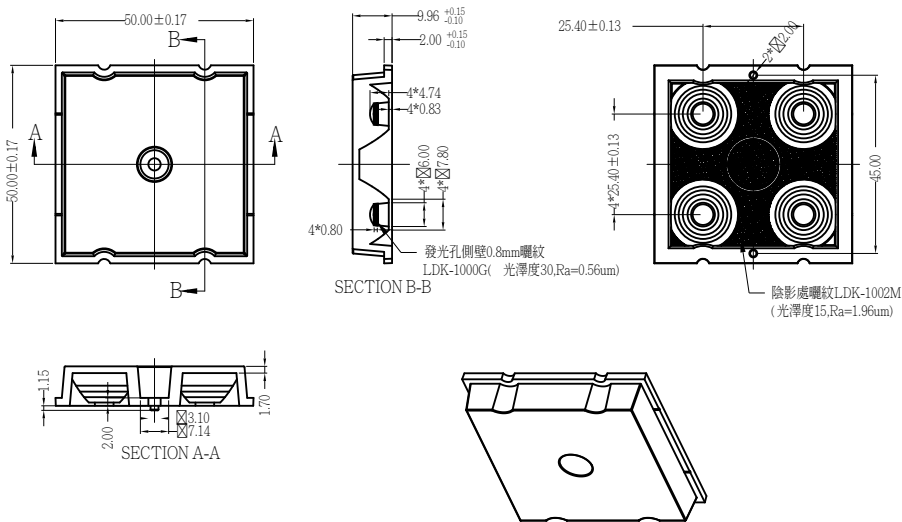
 Tape

 Fixing-ring

 Frame

Note: (1) All dimensions are in mm.  
 (2) All tolerance are  $\pm 0.15$  mm unless otherwise specified.

## 2. Lens dimension



## 3. Assembly instruction



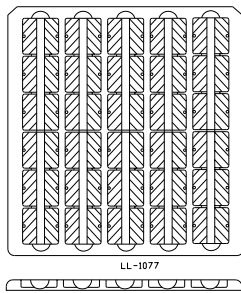
## 4. Holder dimension

## 5. View assembly lens with LED:

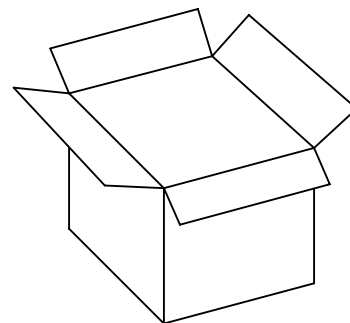
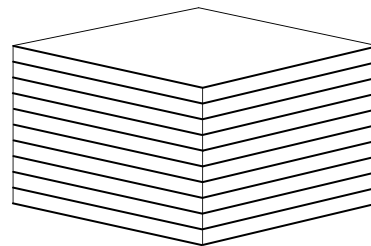


# LL04CR-CEC09L06 Package Specifications

Item	Quantity	Total	Size(L*W*H)	G.W
plastic box	30 pcs/plastic box	30 pcs	38*36*1.6 cm	13.6g
outer box	13 plastic box/outer box	390 pcs	40*37*21 cm	



30 pcs/plastic box



390 pcs/outer box



**Note:**

## X-ON Electronics

Largest Supplier of Electrical and Electronic Components

*Click to view similar products for [LED Lighting Reflectors](#) category:*

*Click to view products by [LedLink Optics](#) manufacturer:*

Other Similar products are found below :

[LL04CR-CFN35155L02](#) [LL04CR-CFN60155L02](#) [LL04CR-CGM85135L02](#) [F13185\\_GERI-RZ](#) [10604](#) [LL01SP-ATH15R49](#) [10170](#) [12527](#)  
[12568](#) [C13253\\_TINA2-R-CLIP16](#) [CA14591\\_BROOKE-XW](#) [CN12706\\_LENINA-S](#) [F15560\\_MIRELLA-G2-W](#) [CA11525\\_LAURA-R-W](#)  
[12796](#) [LMH020-REFL-0000-0000042](#) [LMH020-REFL-0000-0000062](#) [LMH020-REFL-0000-0000082](#) [C12606\\_LENINA-DL](#)  
[C11347\\_REGINA](#) [C11394\\_TYRA-S](#) [C11396\\_TYRA-W](#) [C11508\\_BROOKE-W](#) [C11552\\_BARBARA-S](#) [C11553\\_BARBARA-W](#)  
[C11862\\_MINNIE-W](#) [C11979\\_LENA-S](#) [C11980\\_LENA-W](#) [C11996\\_LENA-LENS](#) [C12083\\_BROOKE-SCR-M](#) [C12095\\_MINNIE-M](#)  
[C12097\\_MINNIE-WWW](#) [C12469\\_LISA2-R-PIN](#) [C12476\\_MIRELLA-50-S](#) [C12477\\_MIRELLA-50-M](#) [C12480\\_MIRELLA-50-S-PIN](#)  
[C12516\\_RITA-WAS](#) [C12597\\_LENINA-S](#) [C12599\\_LENINA-W](#) [C12948\\_LENA-WAS](#) [C12958\\_LENINA-XW](#) [C13085\\_MIRELLA-50-S-PF](#)  
[C13101\\_LENA-X-WAS](#) [C13555\\_BRIDGET-W-UNI](#) [C13556\\_BRIDGET-M-UNI](#) [C13557\\_BRIDGET-S-UNI](#) [C14346\\_ANGELETTE-WAS](#)  
[C17099\\_ALISE-50-DL](#) [C17095\\_ALISE-70-CL](#) [C17094\\_ALISE-50-CL](#)