

Alustar-G2-30

Product data sheet

Technical data

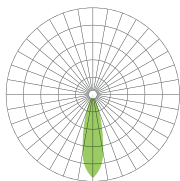
Beam angle	30°
Supply	Constant current
Operating current	Up to 1500 mA
Reverse voltage	Up to 5 Vr
Control	Yes*
Protection class	IP 54
Ambient temperature	-25°C to +50°C
Connection	Open wire ends
Housing	Aluminium
Weight	0,06 kg

* Dimmen durch Stromreduktion möglich



Beam characteristics

30°



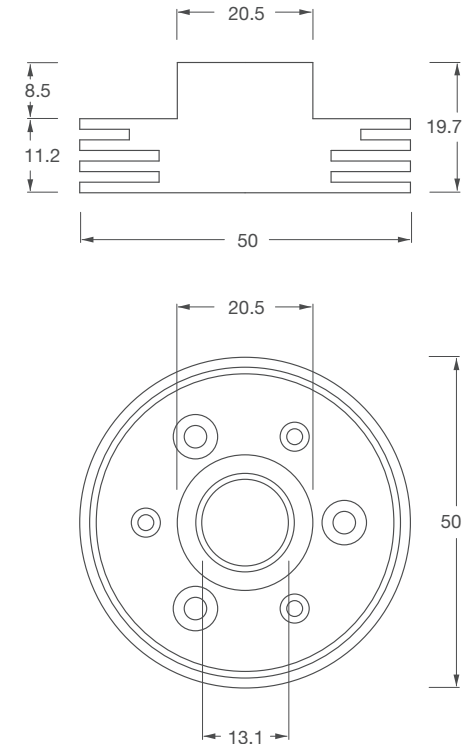
Types



Montage

The product needs to be mounted with M3-screws.

Dimensions



Abmessungen in mm

Alustar-G2-30

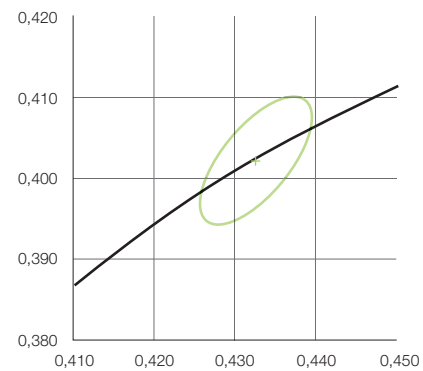
Product data sheet

Photometric data

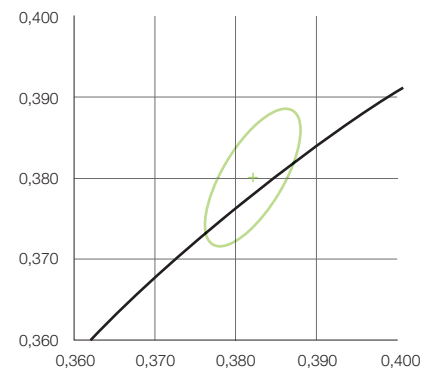
Article number	Photometric code	Colour temperature	Wavelength	Light colour	Colour coordinates x / y	Colour rendering index Ra	Colour consistency	Luminous flux @ 350 mA	Luminous flux @ 700 mA	Luminous flux @ 1000 mA
9009392	830/559	3000 K	---	Warm white	0,4344 / 0,4030	80	5 SDCM	107 lm	200 lm	272 lm
9009393	840/559	4000 K	---	Neutral white	0,3826 / 0,3800	80	5 SDCM	109 lm	205 lm	278 lm
9009394	757/559	5700 K	---	Cool white	0,3332 / 0,3516	70	5 SDCM	128 lm	240 lm	326 lm
9009395	---	---	625 nm	Red	---	---	---	62 lm	111 lm	145 lm
9009396	---	---	590 nm	Yellow	---	---	---	64 lm	116 lm	151 lm
9009397	---	---	528 nm	Green	---	---	---	97 lm	175 lm	228 lm
9009398	---	---	475 nm	Blue	---	---	---	35 lm	62 lm	81 lm

Colour coordinates

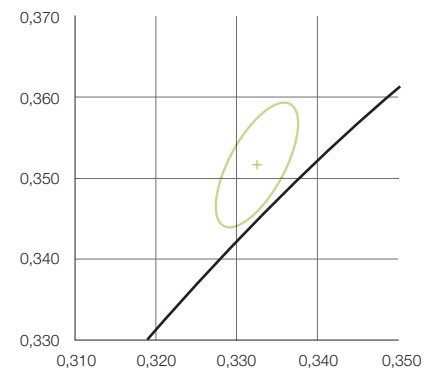
Colour temperature 3.000 K



Colour temperature 4.000 K



Colour temperature 5.700 K



Alustar-G2-30

Product data sheet

More data

Article number	Forward voltage @ 350 mA	Forward voltage @ 700 mA	Forward voltage @ 1000 mA	Rated power @ 350 mA	Rated power @ 700 mA	Rated power @ 1000 mA	Lifetime @ 1000 mA	Tc max @ 1000 mA
9009392	2,80 Vf	2,93 Vf	3,02 Vf	1,0 W	2,0 W	3,0 W	L80 B10 >48.000 h	45°C
9009393	2,80 Vf	2,93 Vf	3,02 Vf	1,0 W	2,0 W	3,0 W	L80 B10 >48.000 h	45°C
9009394	2,80 Vf	2,93 Vf	3,02 Vf	1,0 W	2,0 W	3,0 W	L80 B10 >48.000 h	45°C
9009395	2,20 Vf	2,44 Vf	2,63 Vf	0,8 W	1,7 W	2,6 W	L80 B10 >36.000 h	45°C
9009396	3,05 Vf	3,19 Vf	3,27 Vf	1,1 W	2,2 W	3,3 W	L80 B10 >36.000 h	45°C
9009397	3,20 Vf	3,50 Vf	3,68 Vf	1,1 W	2,4 W	3,7 W	L80 B10 >36.000 h	45°C
9009398	3,10 Vf	3,28 Vf	3,39 Vf	1,1 W	2,3 W	3,4 W	L80 B10 >48.000 h	45°C

Order data

9009392	ALUSTAR-G2-30-SW830-1A-54
9009393	ALUSTAR-G2-30-SW840-1A-54
9009394	ALUSTAR-G2-30-SW757-1A-54
9009395	ALUSTAR-G2-30-SC625-1A-54
9009396	ALUSTAR-G2-30-SC590-1A-54
9009397	ALUSTAR-G2-30-SC528-1A-54
9009398	ALUSTAR-G2-30-SC475-1A-54

Caution

EN 62471:2008
Risk group 2

ATTENTION harmful optical radiation possible.
Do not look into the lamp for long periods during operation.
May be harmful to eyes.

Standards

EN 62031:2015

EN 62471:2008

2011/65/EU

2009/125/EU

in Anlehnung an IEC 62717

Alustar-G2-30

Product data sheet

Important notes

All technical parameters apply to the entire product. Due to the complex manufacturing process of light-emitting diodes, the indicated typical LED parameters are purely statistical variables and may vary.

Mercury content	0,0 mg
Mercury-free	yes
Professional disposal according to WEEE	yes

Notes to the life time

Decisive factors for the life time are the ambient temperature and the operating temperature (T_c/T_p). Exceeding the permissible limits results and the permitted operating voltage in a substantial reduction of the life time and can even lead to the destruction of the products. The specified life time represents a statistical quantity.

The heat sink must provide sufficient heat dissipation so that the maximum permissible operating temperature is not exceeded. The measurement of the operating temperature must be in accordance with EN 60598-1.

Notes to electrical and photometric data

Colour coordinates according to CIE 1931

Rated ambient temperature: $t_a = 25^\circ$

Measuring tolerance colour coordinates (x/y) +/- 0,005

Tolerance range of electrical / photometric data: +/- 10%

Disclaimer

Changes and errors excepted. Due to the continuous development of all products, technical and design changes can occur at any time. Make sure that you always use the latest version of the data sheet.

Further product data as well as current information can be found at www.ledxon.com

Notes to the installation

While installation the relevant specifications and standards must be observed. For optimum operation we recommend installation only on rigid and stationary surfaces. The electrical connection must be made in a voltage-free state.

The correct polarity for the connection lines must be observed upon start-up. Incorrect polarity may result in the destruction. The products are electrified by connecting leads to the provided plug terminal connection. The maximum permitted cable cross-section must be observed in this process. The products are delivered without cabling. When installing these modules, standard ESD safety precautions must be complied with.

High mechanical load must be avoided during installation. Powerful compression forces, in particular on the light area, result in damage to the components as well as the conducting paths. For fixing we recommend using polyamide screws.

X-ON Electronics

Largest Supplier of Electrical and Electronic Components

Click to view similar products for [LED Bars and Arrays](#) category:

Click to view products by [Ledxon](#) manufacturer:

Other Similar products are found below :

[LTL-2755Y](#) [LF2B-D3P-BTHWW2-1M](#) [SSA-LXB10GW-18751](#) [SSA-LXB10YW](#) [SSA-LXH1025I1G7XXD](#) [HLMP2300](#) [LTL-2450Y](#) [LTL-2855G](#) [HLMP2655](#) [SSB-LX2301SIW](#) [TOS-4102BR-N](#) [SSA-LXB10-IYG8W-1](#) [LTL-57173HR](#) * [LPB-R0112051S](#) [SSA-LXB525-I1G3I1D](#) [MW-MLD-2835-3W-LENS V,2](#) [MW-MLD-2835-1W-LENS](#) [OSWSW51006B-5V](#) [PROLED-MINI-3W-CC100](#) [MW-MLD-2835-3B-LENS](#) [OSWM43-K4W](#) [PROLED-MINI-2W-CC70](#) [OSWM43-G5W](#) [MW-MLD-2835-2W-LENS V,2](#) [OSWSM51006B-5V](#) [OST1MC5A31A-W1V](#) [WL 30 W](#) [PROLED-3W-CC220](#) [MW-MLD-HE-3W-LENS170](#) [WL 20 W](#) [OSWM43-W5W](#) [57844](#) [113162000-00660681](#) [49983](#) [MW-MLD-HE-1WW-LENS170](#) [OSWM43-B6W](#) [MW-MLD-HE-2W-LENS170](#) [OSWM43-B5W](#) [OSWM43-Y5W](#) [MINIOVAL-1WW](#) [ALUSTAR-G2-NA-SC590-1A-54](#) [LTA-1000E](#) [LTL-57173HR](#) [1330.0001](#) [1330.0003](#) [1330.0009](#) [KB-2855SGW](#) [KB-B100SURKW](#) [L-1043GDT](#) [L-875/4SRDT](#)