

# Threaded LED Indicator Lights for 5/16" Dia. Mounting Hole

## L79 SERIES

- LED INDICATOR LIGHTS WITH BUILT-IN REFLECTOR
- 5/16" DIA. MOUNTING HOLE
- THREADED HOUSING AND NUT
- 6" WIRE LEADS • CLEAR OR DIFFUSED LENS • VARIOUS LENS COLORS
- 2 TO 125 DESIGN VOLTS

### Overview

The L79 Series LED indicators are constructed with a threaded housing with a built-in reflector. Each unit has a high brightness clear or diffused LED. Low voltage DC units are supplied with two color-coded 6" wire leads. 125 Volt AC units are supplied with a bi-polar LED and two white wire leads. Standard voltages range from 2 to 24 volts DC or 125 volts AC. Indicators mount into a 5/16" diameter mounting hole with a maximum panel thickness of 0.250" (6.35mm). A hex nut and lockwasher are supplied. Current: 20mA Typical.

### Specifications

**Housing:** chrome plated brass. Supplied with lockwasher and hex nut.

**Gasket:** neoprene.

**LED Lens:** clear (L79C) or diffused (L79D).

**LED DC voltage options:** 2, 6, 12, 24 volts.

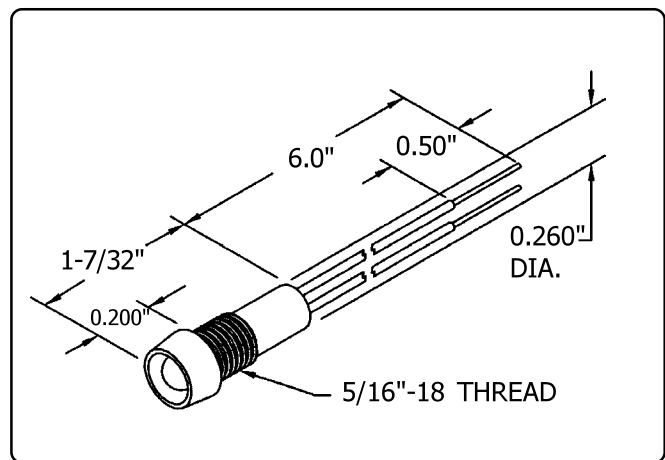
**LED AC voltage options:** 125 volts.

**Note:** 125 volts AC units contain a bi-polar LED.

#### Wire leads:

**6" leads:** #24 AWG, prebonded copper, thin wall PVC, UL/CSA rated 105° C, stripped 1/2". DC units are supplied with a red wire lead which denotes the anode (+) while a black wire lead identifies the cathode (-). AC units are supplied with two white wire leads. Custom wire lengths, stripping, termination and wire types are available.

**Other LEDs:** bi-color, low current or ultra bright.

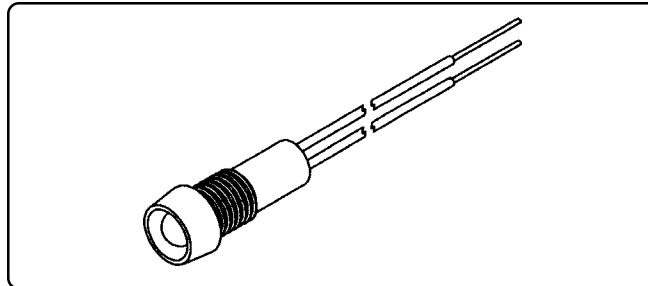


**Can't find it here? We have many more standard and custom solutions**

For further information, phone Customer Service at 800.522.5546.

# Threaded LED Indicator Lights for 5/16" Dia. Mounting Hole

**L79 SERIES**  
LED Indicator Light  
Clear Lens or  
Diffused Lens  
Various Lens Colors



**6" Wire Leads**  
**Chrome Plated-  
Brass Housing**  
**With Reflector**  
**2 to 125 Design Volts**

Part Number	Lens Style	Lens Color	Design Volts DC AC Design Volts*	Typical LED Intensity (mcd)	Typical LED Viewing Angle
L79C-G2-W	Clear	Green	2	100	30°
L79C-G6-W	Clear	Green	6	100	30°
L79C-G12-W	Clear	Green	12	100	30°
L79C-G24-W	Clear	Green	24	100	30°
L79C-G125-W	Clear	Green	125*	100	30°
L79C-R2-W	Clear	Red	2	100	30°
L79C-R6-W	Clear	Red	6	100	30°
L79C-R12-W	Clear	Red	12	100	30°
L79C-R24-W	Clear	Red	24	100	30°
L79C-R125-W	Clear	Red	125*	100	30°
L79C-Y2-W	Clear	Yellow	2	100	30°
L79C-Y6-W	Clear	Yellow	6	100	30°
L79C-Y12-W	Clear	Yellow	12	100	30°
L79C-Y24-W	Clear	Yellow	24	100	30°
L79C-Y125-W	Clear	Yellow	125*	100	30°
L79D-G2-W	Diffused	Green	2	80	60°
L79D-G6-W	Diffused	Green	6	80	60°
L79D-G12-W	Diffused	Green	12	80	60°
L79D-G24-W	Diffused	Green	24	80	60°
L79D-G125-W	Diffused	Green	125*	80	60°
L79D-R2-W	Diffused	Red	2	80	60°
L79D-R6-W	Diffused	Red	6	80	60°
L79D-R12-W	Diffused	Red	12	80	60°
L79D-R24-W	Diffused	Red	24	80	60°
L79D-R125-W	Diffused	Red	125*	80	60°
L79D-Y2-W	Diffused	Yellow	2	80	60°
L79D-Y6-W	Diffused	Yellow	6	80	60°
L79D-Y12-W	Diffused	Yellow	12	80	60°
L79D-Y24-W	Diffused	Yellow	24	80	60°
L79D-Y125-W	Diffused	Yellow	125*	80	60°

**Polarity Determination - Wire Leads:** Red wire lead denotes anode (+); black wire lead denotes cathode (-).

## X-ON Electronics

Largest Supplier of Electrical and Electronic Components

*Click to view similar products for [LED Panel Mount Indicators](#) category:*

*Click to view products by [Leecraft](#) manufacturer:*

Other Similar products are found below :

[821-0331-503](#) [FL2870C8R](#) [FL2950WL7B](#) [FL2950WL8G](#) [FL589WL8R](#) [FL67C8R](#) [H8630FBBA3](#) [NL1041WL3A](#) [NL177WL2A](#)  
[NL177WL3G](#) [NL276C2A](#) [NL2950BWL3G](#) [NL589WL2R](#) [NL67C2C](#) [NL67C3R](#) [C430ABWC2](#) [C480AABG3](#) [PB22BM41K](#) [PB22SIM40Y](#)  
[PB22SKRS31KC](#) [L32R-R2-2311](#) [L3353-MWRG](#) [L39UR-R24-2111](#) [L58D-G2-W](#) [L58D-Y2-W](#) [L59D-R12-W](#) [L59UD-R12-W](#) [L625DG](#)  
[L625DR](#) [LE177WL39007](#) [LE2821H5G](#) [LH1048BSWL3702](#) [LH382A](#) [LH677G](#) [LHM628A](#) [FL276WL7R](#) [FL2950BWL7R](#) [FL2950WL7R](#)  
[FL2950WL8R](#) [FL2950WL8R-12](#) [FL2951WL8G](#) [FL2951WL8R](#) [FL67C7R](#) [FL67WL8G](#) [3S6/5130V](#) [556-1605-808F](#) [556-1705-809F](#) [557-](#)  
[0001-822F](#) [C430AABG2](#) [VL1CK0P600](#)