

# 承 認 書

## SPECIFICATION FOR APPROVAL

*客戶名稱 <b>Customer name</b>	: 立創
*產品名稱 <b>Product Description</b>	: 旋转开关
*產品型號 <b>Product part number</b>	: MFR01-A4M06L7BAB-R
*客戶料號 <b>Customer's material number</b>	: C312622
*數量 <b>Quantity</b>	: 0 PCS
*日期 <b>Date</b>	: 2019-8-27

供應商負責人簽名		客戶負責人確認簽回	
製作人	莫丽琴	承認人	
審核	李跃鑫	審核	
批准	王瑞宝	批	

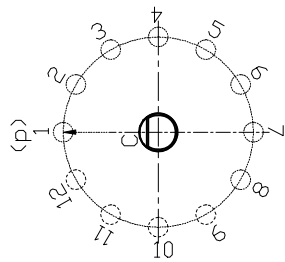
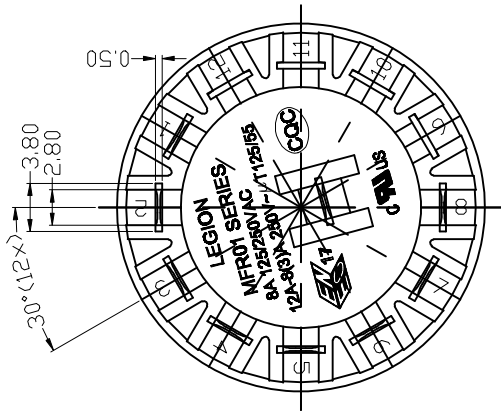
皓宇(香港)有限公司  
HAOYU (HONG KONG) LIMITED  
六均电子五金有限公司  
LEGION ELECTRONIC&HARDWARE CO., LTD  
富力隆电子(深圳)有限公司  
ROCKTEK ELECTRONICS (SHENZHEN) CO. LTD  
東莞市石碣鎮四村第一工業區  
Sicun 1st Industrial park, Sicun,  
Shijie Town, Dongguan

電 話 : (86) 769-82310511-2  
Tel No

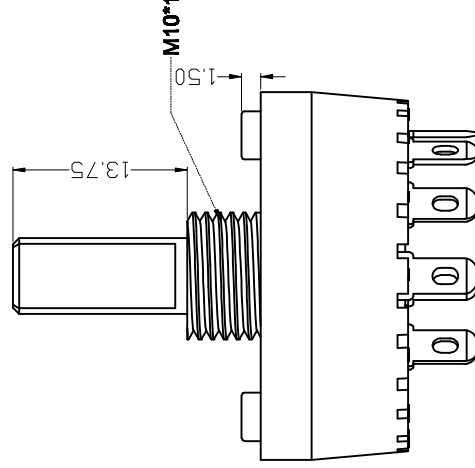
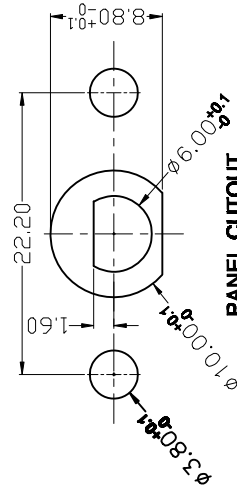
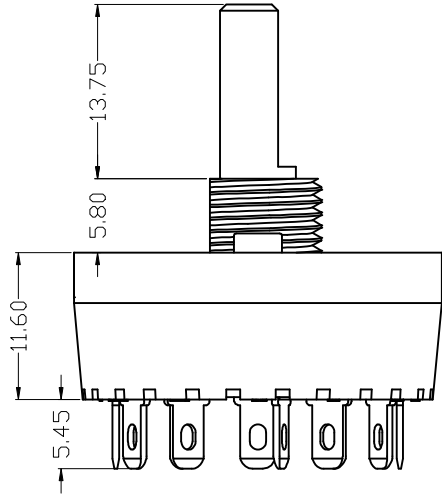
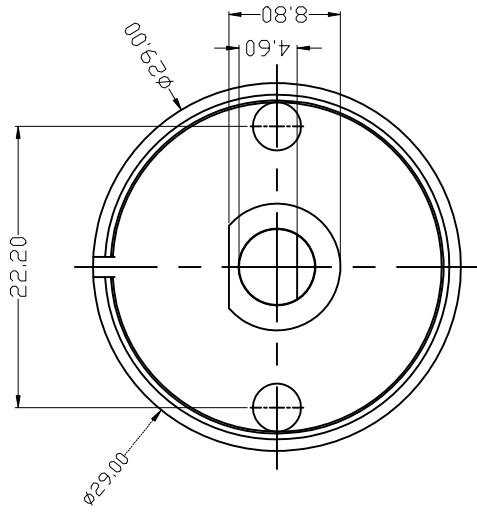
傳 真 : (86) 769-82310510  
Fax No

郵 箱 : [haoyu888@21cn.com](mailto:haoyu888@21cn.com)  
E - mail

核 准 :  
Approved



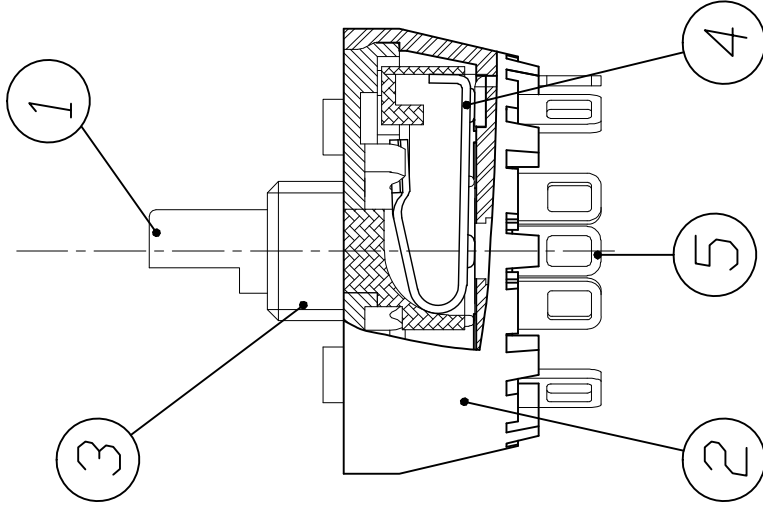
Circuit description



1. 额定值RATING:8A 125/250VAC(U.L.C-UL)  
12A-8(3)A 250V~μT125/55(ENECE-17,CQC,CB)
2. 功能 FUNCTIONAL:单极8个档位 SINGLE POLE 8 POSITIONS  
带回弹功能 PLUS A MOMENTARY POSITION  
3. 所有部件均使用环保材料  
ALL MATERIALS USE IN CONFORMITY WITH THE RoHS DIRECTIVE

GENERAL TOLERANCE		Approved	Checked	Designed	Drawn	ALL SIZE ARE IN		DRAWING NO.	REV.
GRADATION	TOLERANCE					mm	SCALE		
X	±0.30								
X.X	±0.20								
X.XX	±0.15								
X.XXX	±0.10								
ANGLE	±1°								
DESCRIPTION	APPROVED								
	DATE								
		六鈞電子五金有限公司 LEGION ELECTRONIC & HARDWARE CO., LTD.							
								MFR01-A4M06L7BAB-R	WIF31710*
								ORDER NO.	A

# ROTARY SWITCH MODEL No.: MFR01 SERIES



## MATERIAL LIST AND DESCRIPTION

NO.	PART NAME	MATERIAL DESCRIPTION
1	ACTUATOR	PA66+30%GF/UL 94V-0
2	BASE	NYLON 66/UL 94V-0
3	CAP	NYLON 66/UL 94V-0
4	CONTACT	PHOSPHOR BRONZE/PICKLING
5	TERMINAL	SILVER PLATED BRASS ALLOY

※ ALL MATERIALS USING MEET THE ROHS DIRECTIVE

修正 REVISION	說明 DESCRIPTION	修訂者 REVISED BY	SPECIFICATION				公差 TOLERANCES	TOLERANCES UNLESS OTHERWISE SPEC. ±0.50,0.02,ANG ±3°	
△			製圖 DRAWN BY	設計 DESIGNED BY	校對 CHECKED BY	核准 APPROVED BY	單位 UNIT	機型名稱 MODEL NAME	標準編號 MODEL NO.
△			管林華	唐彪	唐彪	吉慶玉	mm	ROTARY SW	MFR01 SERIES MIL
△			11-APR-2014	11-APR-2014	11-APR-2014	11-APR-2014	比例 SCALE		
△							1/1		
△							日期 DATE		
							2014.4.11		
<b>六鈞電子五金有限公司</b> <b>LEGION ELECTRONIC &amp; HARDWARE CO., LTD.</b>									

**LEGION ELECTRONIC & HARDWARE CO., LTD.**  
**ROTARY SWITCH TEST SPECIFICATION**  
**旋转式开关 测试规格**  
**MODEL NO. MFR01 SERIES**

<p><b>1. Application temperature range (适用温度范围):</b> 0~125℃</p>
<p><b>2. Test condition (测试环境):</b> The switch is tested at a temperature range of 5~35℃ and relative humidity range of 45~85%. * 环境温度范围 : 5 ~ 35℃ * 相对湿度范围 : 45 ~ 85%</p>
<p><b>3. Rating (额定):</b> 8A 125/250VAC FOR UL/C-UL 12A-8(3)A 250V~ μT125/55 for EUROPEAN SAFETY (ENEC)</p>
<p><b>4. Electric performance (电气性能):</b></p> <p><b>4-1. Contact resistance (接触电阻):</b> Measured by fall-of-potential method at dc 0.2v/1a should be less than 50mΩ initial. * 以微电阻计在 <b>DC 0.2V/1A</b> 的测试规格值下, 接触电阻值应该小于 <b>50mΩ</b></p> <p><b>4-2. Insulation resistance (绝缘电阻):</b> Measured with dc 500v applied between terminals of open contacts and between terminal of opposite polarity or metal part, should be more than 100MΩ. * 绝缘电阻计于 <b>DC 500V</b> 设定值下量测于开路的端子或不同回路的端子, 其绝缘电阻值应该大于 <b>100MΩ</b>.</p> <p><b>4-3. Dielectric strength (耐电压):</b> The switch shall withstand without breakdown a potential of ac 1500v 0.5mA for 1 minute between terminals of open contacts and terminals of opposite polarity or metal part. * 不同极的两支端子开路时, 必须通过一分钟 0.5mA 1500VAC 的耐电压. * 端子与其他零件, 必须通过一分钟 0.5mA 1500VAC 的耐电压.</p>
<p><b>5. Overload and endurance test (过负载与寿命测试):</b>  UL &amp; CSA STANDARD (北美标准) RATING: 8A 125/250VAC</p>

CONDITION 测试状况	VOLTAGE 测试电压	CURRENT 测试电流	P.F. 功率因素	OPERATION SPEED 操作速率	NUMBER OF OPERATION 操作次数	SAFETY APPLICATION 适用安规
OVERLOAD 过负载	125VAC	12A	0.75~0.8	8 CYCLES PER MINUTE 每分钟 8 次	50 CYCLES 50 次	UL/C-UL (UL1054)
	250VAC					
ENDURANCE 寿命测试	125VAC	8A	0.75~0.8	8 CYCLES PER MINUTE 每分钟 8 次	6000 CYCLES 6000 次	UL/C-UL (UL1054)
	250VAC					

EUROPE STANDARD (欧洲安规)

RATING: 12A-8(3)A 250V~ $\mu$ T125/55

**INCREASED VOLTAGE TEST AT ACCELERATED SPEED (增加伏特数的加速测试)**

CONDITION 测试状况	VOLTAGE 测试电压	CURRENT 测试电流	P.F. 功率因素	OPERATION SPEED 操作速率	NUMBER OF OPERATION 操作次数	SAFETY APPLICATION 适用安规
MAKING 闭路	287.5VAC	18A	0.6	15 CYCLES PER MINUTE 每分钟 15 次	100 CYCLES 100 次	ENEC (IEC61058)
BREAKING 开路		12A	0.95			

**TEST AT LOW SPEED (低速测试)**

MAKING 闭路	250VAC	18A	0.6	15 CYCLES PER MINUTE 每分钟 15 次	100 CYCLES 100 次	ENEC (IEC61058)
BREAKING 开路		12A	0.95			

**TEST AT ACCELERATED SPEED (加速测试)**

MAKING 闭路	250VAC	18A	0.6	15 CYCLES PER MINUTE 每分钟 15 次	9800 CYCLES 9800 次	ENEC (IEC61058)
BREAKING 开路		12A	0.95			

**6. Temperature test (温升试验):**

The temperature test should be taken after endurance test with its rated current and voltage.

The temperature rising shall not be more than 55°C.

\* 温升测试应该于寿命测试结束后随即测试, 以同样的电流与电压量测温升, 温升值必须低于摄氏 55°.

## 7. Mechanical performance (机械性能):

### 7-1. OPERATION FORCE (操作力量):

NON—PULSE(不回弹): 600gf±300gf      PULSE(回弹): 1600gf±500gf

### 7-2. Actuator strength (柄的强度):

A static load of 5 kgf being applied in the operation direction for 15 seconds. There shall not be any troubles as deviation and bending.

\* 以 5Kgf 的力量, 施压 15 秒. 不可以有偏向与弯曲的情形.

### 7-3. Falling test (落下实验):

Switch be falling down free from 1 meter high. Terminals maybe have bent and deviation after test. But testing object should not have mechanical and electrical damage.

- 将开关由一公尺的高度自由落下, 端子也许已经弯曲与偏向, 但是开关本体不可以有机构与电气性能的破坏.

### 7-4. SOLDERING(焊锡特性):

IMMERSE THE TERMINAL LEADS INTO MOLTEN SOLDER AT TEMPERATURE OF  $230\pm 5^{\circ}\text{C}$  FOR  $3\pm 0.5$  SECONDS. MORE THAN 75% OF PART IMMERSSED SHOULD BE COVERED WITH SOLDER.

\* 端子浸入  $230\pm 5^{\circ}\text{C}$  温度溶化的焊锡中  $3\pm 0.5$  秒, 75%以上的部分应该被焊锡包覆.

### 7-5. TERMINAL STRENGTH (端子强度):

A STATIC FORCE OF **2.27 KGF** BEING APPLIED IN ONE DIRECTION ON THE TIP OF THE TERMINAL FOR 1 MINUTE. THE TERMINAL MAY BE DEFORMED, BUT SHALL NOT SUSTAIN ANY TROUBLE AS DEVIATION AND BREAKING OF TERMINAL, AND BREAKING OF INSULATION MATERIAL.

\* 施以固定 2.27Kgf 的力量于同一方向在端子的顶端一分钟, 端子允许变形, 但是不可以有任何位移(偏向)与端子断裂及绝缘材料的破裂.

### 7-6. SOLDERING HEAT RESISTANCE OF BASE (基座抗热性):

TEMPERATURE AND DURATION OF DIPPING 焊锡温度与持续时间

TYPE OF TERMINAL 端子型式	TEMPERATURE 温度	DIPPING TIME 焊锡时间
TERMINAL FOR PCB WIRING * PCB 端子	$260\pm 5^{\circ}\text{C}$	5 SECONDS Max.
TERMINAL FOR LEAD WIRING * 焊线端子	$350\pm 5^{\circ}\text{C}$	3 SECONDS Max.

THERE SHALL NOT BE EXTREME DEFORMING IN APPEARANCE.

ELECTRICAL PERFORMANCE OF THE ABOVE ITEM 3 SHALL BE ASSURED.

\* 基座不可以有极度变形状况发生.

\* 上文第 3 项的电子性能应该被保证.

## 8. Step angle (切换角度)

30°、36°、45°

## 9. NOTICE(开关使用注意事项):

9-1. When welding, any pressure applied to the terminals may cause conditions as looseness, deformation of terminals and electrical degradations.

给端子进行焊接时，如果在端子上施加负荷，因条件不同会有松动、变形、及电特性退化的可能，请在使用时注意。

9-2. When welding, water-soluble flux may causes corrosion to switches.

For second time welding job, please proceed welding after it is recovered to room temperature.

进行二次焊接时，请在第一次焊接部份恢复到常温之后再行。连续加热可能使外围部变形、端子松动，脱落及电特性降低。

9-3. Continuous heating may cause loose off, deformation of terminals and electrical degradations.

焊接时，水溶剂助焊剂有可能腐蚀开关的可能，请避免使用。

9-4. Do not clean it with water.

不能用水清洗

9-5. After final assembly as a completed product, please make sure that there's no erosion gas/materials released from peripheral parts/materials as it may causes contact failure of switches.

如果使用开关的整机的周边材料产生腐蚀性气体，有可能造成接触不良等现象，所以请事先进行充分确认。

9-6. Storage,

保管方法

a. Keep it storage under normal temperature, humidity and prevent from direct sunshine, erosion gas. Products sure be used within 6 months.


产品以交货时的状态在常温，常湿，不受直射阳光照射，不产生腐蚀性气体的场所保管，自交货起6个月以内为限度，请尽可能快的使用。

b. For small quantity which taken from main packages, please keep it in plastic bags and sealed. And have it storage under up-mentioned environment.

开封后用塑料袋与外界气体隔断，请在与上述相同环境下保管，并尽快使用。

c. Do not pile up package more than 2 levels.

请不要过分地堆积。

修订日期 REVISED DATE	修订内容 DESCRIPTION	修订者 REVISED BY	文件编号 FILE NO.	制定 WRITE BY	审核 CHECKED BY	核准 APPROVED BY
2015/6/3	修改端子焊线时间	唐彪	SPEC-006	刘玉		
2010/8/11	将操作力由 1600 ±500 gf 修改为 1800 ±300gf	易雅琦	版次 VERSION			
2015/10/2 8	将 4.1 接触电阻 20mΩ修改为 50mΩ	唐彪	B 版 1 次			



# 产品认证证书

证书编号: CQC10002049682

## 申请人名称及地址

六钧电子有限公司  
香港英皇道300号五洲大厦4楼M室

## 制造商名称及地址

东莞市六钧电子五金有限公司  
广东省东莞市石碣镇石碣四村同德西路

## 生产企业名称及地址

东莞市六钧电子五金有限公司 (V013100)  
广东省东莞市石碣镇石碣四村同德西路(雅苑路60号)

## 产品名称和系列、规格、型号

旋转开关

MFR01系列 12A 250VAC 8(3)A 250VAC 50Hz T125/55  $\mu$ 1E4 耐热3级 PT1175 锡焊端子 污染等级2 系列描述  
见附件

## 产品标准和技术要求

GB15092.1-2010

## 认证模式

产品型式试验+初次工厂检查+获证后监督

上述产品符合CQC11-462124-2009认证规则的要求,特发此证。

发证日期: 2015年10月08日

证书有效期内本证书的有效性依据发证机构的定期监督获得保持。

本证书为变更证书,证书首次颁发日期: 2010年08月30日

主任: 



# 中国质量认证中心

中国·北京·南四环西路188号9区100070

<http://www.cqc.com.cn>

C 0074320



**CB TEST CERTIFICATE CERTIFICAT D'ESSAI OC**Product  
ProduitName and address of the applicant  
Nom et adresse du demandeurName and address of the manufacturer  
Nom et adresse du fabricantName and address of the factory  
Nom et adresse de l'usineNote: When more than one factory, please report on page 2  
Note: Lorsque il y plus d'une usine, veuillez utiliser la deuxième pageRatings and principal characteristics  
Valeurs nominales et caractéristiques principalesTrademark (if any)  
Marque de fabrique (si elle existe)Type of Manufacturer's Testing Laboratories used  
Type de programme du laboratoire d'essais constructeurModel / Type Ref.  
Ref. De typeAdditional information (if necessary may also be reported on page 2)  
Les informations complémentaires (si nécessaire, peuvent être indiqués sur la deuxième pageA sample of the product was tested and found to be in conformity with  
Un échantillon de ce produit a été essayé et a été considéré conforme à laAs shown in the Test Report Ref. No. which forms part of this Certificate  
Comme indiqué dans le Rapport desais numéro de référence qui constitue partie de ce CertificatThis CB Test Certificate is issued by the National Certification Body  
Ce Certificat desai OC est établi par l'Organisme **National de Certification****Switches**Legion Electronic Co., Ltd.  
Room M,4/F., Continental Mansion, 300 King's Road  
Hong KongDong Guan Legion Electronic & Hardware Co., Ltd.  
Yayuan Road, the first industrial zone, Four village, Shijie town  
Dongguan City, Guangdong Province  
ChinaDong Guan Legion Electronic & Hardware Co., Ltd.  
Yayuan Road, the first industrial zone, Four village, Shijie town  
Dongguan City, Guangdong Province  
China Additional information on page 2

12A-8(3)A 250V AC

LEGION

MFR01 Series

Rotary switch for incorporation in Class II appliances, special pattern no., pollution degree II, level III, micro disconnection, 1E4 cycles, T125/55, PTI250V, IP20, with solder terminals

 Additional information on page 2


IEC 61058-1(ed.3);am1;am2

285587

This certificate replaces the certificate NO56963, due to updating the manufacturer and factory information

Gaustadalléen 30  
NO-0373 Oslo, Norway

Date: 15-06-2015

Signature: Juan Z. Kleppenes  
Certification Department

Licence for use of the here shown ENEC conformity mark :



Based on:

**Agreement on the use of a commonly agreed Mark on Conformity for equipment complying with European Standards as of 12 November 1991 (in short ENEC Agreement), as revised latest by ENEC group April 16. 1997.**

Nemko hereby grants the following manufacturer as licensee the right to affix this ENEC mark on the product(s) specified below.

Product	Switches
Applicant	Legion Electronic Co., Ltd. Room M,4/F., Continental Mansion, 300 King's Road Hong Kong
Manufacturer	Dong Guan Legion Electronic & Hardware Co., Ltd. Yayuan Road, the first industrial zone, Four village,Shijie town Dongguan City, Guangdong Province China
Factory	Dong Guan Legion Electronic & Hardware Co., Ltd. Yayuan Road, the first industrial zone, Four village,Shijie town Dongguan City, Guangdong Province China <input type="checkbox"/> See next page(s)
Ratings	12A-8(3)A 250V AC
Trade mark	LEGION
Model / Type Ref.	MFR01 Series
Principal characteristics	Rotary switch for incorporation in Class II appliances, special pattern no., pollution degree II, level III, micro disconnection, 1E4 cycles, T125/55, PTI250V, IP20, with solder terminals <input type="checkbox"/> See next page(s)

A sample of the product was tested INST EN 61058-1:2002;A2  
and found to be in conformity with

The conditions for this licence are that the ENEC-marked products conform with the applicable Standard(s) as stated in  
the Test Report with Order No: 285587

and that Articles 8 and 9 of the ENEC Agreement are fulfilled by the manufacturer. The mark signifies the compliance of the  
completed products with these conditions. Further information is given in the attached Annex, which forms an obligatory part of  
this licence document. This licence has been issued under the presumption and conditional on the fact that the licensee holds all  
necessary legal rights with regard to the product presented for testing and certification.

Additional model(s)  See next page(s)

Date of issue 15-06-2015



Juan Z. Kleppenes  
Certification Department

#### Nemko AS

Gaustadalléen 30, P.O. Box 73 Blindern, 0314 Oslo, Norway  
TEL +47 22 96 03 30 FAX +47 22 96 05 50 EMAIL info@nemko.com  
ENTERPRISE NUMBER NO974404532



**WOYR2.E153399**  
**Switches, Appliance and Special Use - Component**

For enhanced search functionality, please visit UL's [iQ™ Family of Databases](#).  
 Click on a product designation for complete information.

Page Bottom

**Switches, Appliance and Special Use - Component**

[See General Information for Switches, Appliance and Special Use - Component](#)

**LEGION ELECTRONIC CO LTD**

E153399

Room M  
 4Th Fl, Continental Mansion  
 300 King's Rd  
 Hong Kong, HONG KONG

**Investigated to ANSI/UL 1054**

Cat. No.	Amps	Volts	Hz	Load	Endur- ance	Temp C	POL/ THR	Per Pole/ Circuit Code	SPCOA
<b>EPS11</b>	10	125	60	GP	6K	55	1/1	-/-	-
	10	250	60	GP	6K				
	-	-	-	GP	-				
	-	-	-	GP	-				
<b>EPS21</b>	10	125	60	GP	6K	55	2/1	PP/D1	-
	10	250	60	GP	6K				
	-	-	-	GP	-				
	-	-	-	GP	-				
<b>FR01 f/b A1, A2 or A3, f/b F0 or F1, f/b L1</b>									
	6	125	60	GP	6K	65	1/M	-/-	Note 6(16 thru 20 AWG)
	6	250	60	GP	6K				
<b>MFR01 f/b A1, f/b F or M, f/b 04, 05, 06, 07, 08, 09 or 10, f/b L1</b>									
	8	125	60	GP	6K	65	1/M	-/-	-
	8	250	60	GP	6K				
<b>MPS11</b>	16	125	60	GP	6K	85	1/1	PP/-	-
	10	250	60	GP	6K				
	5	125	60	TV	25K				
<b>MPS21 f/b letter; f/b letter; f/b A or B; f/b Q; f/b M or Blank; f/b S or D; f/b -L or Blank; f/b 2 or Blank; f/b 2 or Blank; f/b -R or Blank)</b>									
	16	125	50/60	GP	6K	65	2/1	PP/D1	Note 2
	16	250	50/60	GP	6K				
	-	125	50/60	3/4hp	6K				
	-	250	50/60	3/4hp	6K				
<b>OVS-1 f/b A, B, C or D</b>	12	125	60	GP	6K	150	M/M	PP/-	-
	12	250	60	GP	6K				
<b>PS01-X-X-X</b>	3	250	60	GP	6K	85	1/1	-/A	-
	6	125	60	GP	6K				

	6	125	60	L	6K				
<b>SS11, f/b Letters, Numbers or Blank, f/b Q or S, f/b -Letters, -Numbers or Blank, f/b 20 or 30, f/b -Letters, -Numbers or Blank .</b>									
	12	125	60	GP	6K	65	1/1,2/2	-/A	-
	12	250	60	GP	6K				
	16	125	60	GP	6K				
	16	250	60	GP	6K				
	10	125	60	GP	6K				
	10	250	60	GP	6K				
	6	125	60	GP	6K				
	6	250	60	GP	6K				
<b>SS21, f/b suffixes</b>	10	125	60	GP	6K	65	2/1	PP/C	-
	10	250	60	GP	6K				
<b>SS21, f/b suffixes, f/b -S</b>									
	10	125	60	GP	6K	65	1/1	-/A	-
	10	250	60	GP	6K				
<b>SS24, f/b Letters, Numbers or Blank, f/b Q or S, f/b -Letters, -Numbers or Blank, f/b 40 or 60, f/b -Letters, -Numbers or Blank .</b>									
	12	125	60	GP	6K	65	2/2 or 2/1	PP/D1	-
	12	250	60	GP	6K				
	10	125	60	GP	6K				
	10	250	60	GP	6K				
	6	125	60	GP	6K				
	6	250	60	GP	6K				
	16	125	60	GP	6K				
	16	250	60	GP	6K				
<b>SS31 f/b letters; f/b Q, S or C; f/b R, F or L; f/b D; f/b 40, 41; f/b L or blank; f/b letters or numbers or blank.</b>									
	16	125	50/60	GP	6K	65	2/1	PP/C	2,3
	16	250	50/60	GP	6K				
	-	125	50/60	3/4hp	6K				
	-	250	50/60	3/4hp	6K				
<b>SS31 f/b letters; f/b Q, S or C; f/b R, F or L; f/b D; f/b 60; f/b L or blank; f/b letters or numbers or blank.</b>									
	16	125	50/60	GP	6K	65	2/2	PP/C	2, 3
	16	250	50/60	GP	6K				
	-	125	50/60	3/4hp	6K				
	-	250	50/60	3/4hp	6K				
<b>SS31 f/b letters; f/b Q, S or C; f/b R, F or L; f/b S; f/b 20 or 21; f/b L or blank; f/b letters or numbers or blank.</b>									
	16	125	50/60	GP	6K	65	1/1	-/A	2, 3
	16	250	50/60	GP	6K				
	-	125	50/60	3/4hp	6K				
	-	250	50/60	3/4hp	6K				
<b>SS31 f/b letters; f/b Q, S or C; f/b R, F or L; f/b T; f/b 40, 41; f/b L or blank; f/b letters or numbers or blank.</b>									
	16	125	50/60	GP	6K	65	2/1	PP/C	2,3
	16	250	50/60	GP	6K				
	-	125	50/60	3/4hp	6K				
	-	250	50/60	3/4hp	6K				
<b>SS31 f/b letters; f/b Q, S or C; f/b R, F or L; f/b T; f/b 60; f/b L or blank; f/b letters or numbers or blank.</b>									
	16	125	50/60	GP	6K	65	2/2	PP/C	2, 3

	16	250	50/60	GP	6K				
	-	125	50/60	3/4hp	6K				
	-	250	50/60	3/4hp	6K				
<b>SS31 f/b letters; f/b Q, S or C; f/b R, F; f/b S; f/b 30; f/b letters or numbers or blank.</b>									
	16	125	50/60	GP	6K	65	1/2	-/A	3
	16	250	50/60	GP	6K				
	-	125	50/60	3/4hp	6K				
	-	250	50/60	3/4hp	6K				
<b>VS12 f/b M or H, f/b 11, 12</b>									
	12	125	60	GP	-	65	1/M	-/-	-
	12	250	60	GP	-				
	6	125	60	GP	-				
	3	250	60	GP	-				
	2	125	60	GP	-				
	1	250	60	GP	-				
<b>VS34 f/b, M or H, f/b 11, 12, 21 or 22</b>									
	12	125	60	GP	-	55	M/M	-/-	-
	12	250	60	GP	-				

Note 2 - These are lighted switches employing a lamp. The usable lamp life has not been evaluated.

Note 6 - The switch employs push-in terminals. These have been evaluated for use with solid and solder dipped stranded conductors of a specified size (shown within parenthesis in AWG).

Marking: Company name or tradename "LEGION" , catalog, model or part number, electrical ratings and the Recognized Component Mark, on the product or on the smallest unit container in which the product is packaged.



Last Updated on 2016-07-19

[Questions?](#)

[Print this page](#)

[Terms of Use](#)

[Page Top](#)

◆ 2016 UL LLC

The appearance of a company's name or product in this database does not in itself assure that products so identified have been manufactured under UL's Follow-Up Service. Only those products bearing the UL Mark should be considered to be Certified and covered under UL's Follow-Up Service. Always look for the Mark on the product.

UL permits the reproduction of the material contained in the Online Certification Directory subject to the following conditions: 1. The Guide Information, Assemblies, Constructions, Designs, Systems, and/or Certifications (files) must be presented in their entirety and in a non-misleading manner, without any manipulation of the data (or drawings). 2. The statement "Reprinted from the Online Certifications Directory with permission from UL" must appear adjacent to the extracted material. In addition, the reprinted material must include a copyright notice in the following format: "© 2016 UL LLC".



**WOYR8.E153399**

**Switches, Appliance and Special Use Certified for Canada - Component**

For enhanced search functionality, please visit UL's [iQ™ Family of Databases](#).  
Click on a product designation for complete information.

Page Bottom

**Switches, Appliance and Special Use Certified for Canada - Component**

[See General Information for Switches, Appliance and Special Use Certified for Canada - Component](#)

**LEGION ELECTRONIC CO LTD**

E153399

Room M  
4Th Fl, Continental Mansion  
300 King's Rd  
Hong Kong, HONG KONG

**Investigated to CSA-C22.2 No. 55**

Cat. No.	Amps	Volts	Hz	Load	Endur- ance	Temp C	POL/ THR	Per Pole/ Circuit Code	SPCOA
<b>EPS11</b>	10	125	60	GP	6K	55	1/1	-/-	-
	10	250	60	GP	6K				
	-	-	-	GP	-				
	-	-	-	GP	-				
<b>EPS21</b>	10	125	60	GP	6K	55	2/1	PP/D1	-
	10	250	60	GP	6K				
	-	-	-	GP	-				
	-	-	-	GP	-				
<b>FR01 f/b A1, A2 or A3, f/b F0 or F1, f/b L1</b>									
	6	125	60	GP	6K	65	1/M	-/-	Note 6(16 thru 20 AWG)
	6	250	60	GP	6K				
<b>MFR01 f/b A1, f/b F or M, f/b 04, 05, 06, 07, 08, 09 or 10, f/b L1</b>									
	8	125	60	GP	6K	65	1/M	-/-	-
	8	250	60	GP	6K				
<b>MPS11</b>	16	125	60	GP	6K	85	1/1	PP/-	-
	10	250	60	GP	6K				
	5	125	60	TV	25K				
<b>MPS21 f/b letter; f/b letter; f/b A or B; f/b Q; f/b M or Blank; f/b S or D; f/b -L or Blank; f/b 2 or Blank; f/b 2 or Blank; f/b -R or Blank)</b>									
	16	125	50/60	GP	6K	65	2/1	PP/D1	Note 2
	16	250	50/60	GP	6K				
	-	125	50/60	3/4hp	6K				
	-	250	50/60	3/4hp	6K				
<b>OVS-1 f/b A, B, C or D</b>	12	125	60	GP	6K	150	M/M	PP/-	-
	12	250	60	GP	6K				
<b>PS01-X-X-X</b>	3	250	60	GP	6K	85	1/1	-/A	-
	6	125	60	GP	6K				


	6	125	60	L	6K				
<b>SS11, f/b Letters, Numbers or Blank, f/b Q or S, f/b -Letters, -Numbers or Blank, f/b 20 or 30, f/b -Letters, -Numbers or Blank .</b>									
	12	125	60	GP	6K	65	1/1,2/2	-/A	-
	12	250	60	GP	6K				
	16	125	60	GP	6K				
	16	250	60	GP	6K				
	10	125	60	GP	6K				
	10	250	60	GP	6K				
	6	125	60	GP	6K				
	6	250	60	GP	6K				
<b>SS21, f/b suffixes</b>	10	125	60	GP	6K	65	2/1	PP/C	-
	10	250	60	GP	6K				
<b>SS21, f/b suffixes, f/b -S</b>									
	10	125	60	GP	6K	65	1/1	-/A	-
	10	250	60	GP	6K				
<b>SS24, f/b Letters, Numbers or Blank, f/b Q or S, f/b -Letters, -Numbers or Blank, f/b 40 or 60, f/b -Letters, -Numbers or Blank .</b>									
	12	125	60	GP	6K	65	2/2 or 2/1	PP/D1	-
	12	250	60	GP	6K				
	10	125	60	GP	6K				
	10	250	60	GP	6K				
	6	125	60	GP	6K				
	6	250	60	GP	6K				
	16	125	60	GP	6K				
	16	250	60	GP	6K				
<b>SS31 f/b letters; f/b Q, S or C; f/b R, F or L; f/b D; f/b 40, 41; f/b L or blank; f/b letters or numbers or blank.</b>									
	16	125	50/60	GP	6K	65	2/1	PP/C	2,3
	16	250	50/60	GP	6K				
	-	125	50/60	3/4hp	6K				
	-	250	50/60	3/4hp	6K				
<b>SS31 f/b letters; f/b Q, S or C; f/b R, F or L; f/b D; f/b 60; f/b L or blank; f/b letters or numbers or blank.</b>									
	16	125	50/60	GP	6K	65	2/2	PP/C	2, 3
	16	250	50/60	GP	6K				
	-	125	50/60	3/4hp	6K				
	-	250	50/60	3/4hp	6K				
<b>SS31 f/b letters; f/b Q, S or C; f/b R, F or L; f/b S; f/b 20 or 21; f/b L or blank; f/b letters or numbers or blank.</b>									
	16	125	50/60	GP	6K	65	1/1	-/A	2, 3
	16	250	50/60	GP	6K				
	-	125	50/60	3/4hp	6K				
	-	250	50/60	3/4hp	6K				
<b>SS31 f/b letters; f/b Q, S or C; f/b R, F or L; f/b T; f/b 40, 41; f/b L or blank; f/b letters or numbers or blank.</b>									
	16	125	50/60	GP	6K	65	2/1	PP/C	2,3
	16	250	50/60	GP	6K				
	-	125	50/60	3/4hp	6K				
	-	250	50/60	3/4hp	6K				
<b>SS31 f/b letters; f/b Q, S or C; f/b R, F or L; f/b T; f/b 60; f/b L or blank; f/b letters or numbers or blank.</b>									
	16	125	50/60	GP	6K	65	2/2	PP/C	2, 3

	16	250	50/60	GP	6K				
	-	125	50/60	3/4hp	6K				
	-	250	50/60	3/4hp	6K				
<b>SS31 f/b letters; f/b Q, S or C; f/b R, F; f/b S; f/b 30; f/b letters or numbers or blank.</b>									
	16	125	50/60	GP	6K	65	1/2	-/A	3
	16	250	50/60	GP	6K				
	-	125	50/60	3/4hp	6K				
	-	250	50/60	3/4hp	6K				
<b>VS12 f/b M or H, f/b 11, 12</b>									
	12	125	60	GP	-	65	1/M	-/-	-
	12	250	60	GP	-				
	6	125	60	GP	-				
	3	250	60	GP	-				
	2	125	60	GP	-				
	1	250	60	GP	-				
<b>VS34 f/b, M or H, f/b 11, 12, 21 or 22</b>									
	12	125	60	GP	-	55	M/M	-/-	-
	12	250	60	GP	-				

Note 2 - These are lighted switches employing a lamp. The usable lamp life has not been evaluated.

Note 6 - The switch employs push-in terminals. These have been evaluated for use with solid and solder dipped stranded conductors of a specified size (shown within parenthesis in AWG).

Marking: Company name or tradename "LEGION" , catalog, model or part number, electrical ratings and the Recognized Component Mark for

Canada,  on the product or on the smallest unit container in which the product is packaged.

Last Updated on 2016-07-19

[Questions?](#)

[Print this page](#)

[Terms of Use](#)

[Page Top](#)

◆ 2016 UL LLC

The appearance of a company's name or product in this database does not in itself assure that products so identified have been manufactured under UL's Follow-Up Service. Only those products bearing the UL Mark should be considered to be Certified and covered under UL's Follow-Up Service. Always look for the Mark on the product.

UL permits the reproduction of the material contained in the Online Certification Directory subject to the following conditions: 1. The Guide Information, Assemblies, Constructions, Designs, Systems, and/or Certifications (files) must be presented in their entirety and in a non-misleading manner, without any manipulation of the data (or drawings). 2. The statement "Reprinted from the Online Certifications Directory with permission from UL" must appear adjacent to the extracted material. In addition, the reprinted material must include a copyright notice in the following format: "© 2016 UL LLC".



## X-ON Electronics

Largest Supplier of Electrical and Electronic Components

*Click to view similar products for [Rotary Switches](#) category:*

*Click to view products by [Legion](#) manufacturer:*

Other Similar products are found below :

[57HS22-02-2-06N](#) [57M22-02B16N](#) [57M22-09A16N](#) [58J1007](#) [58J8A45-01B05N](#) [59M18-02A20N](#) [M3786/39-3BA](#) [M3786/39-LMC](#)  
[M3786/4-0007](#) [M3786/4-0073](#) [M3786/4-0182](#) [M3786/4-0640](#) [M3786/4-0873](#) [M3786/4-0881](#) [M3786/4-3187](#) [M3786/4-3267](#) [M3786/4-5272](#)  
[M3786/4-5568](#) [M3786/4-5876](#) [M3786/4-6029](#) [71ESF30-05204N](#) [MC06L1NCGF](#) [FA201BKGN](#) [84986-26](#) [9003K2C003GA](#) [PLR3251](#)  
[PLR3262](#) [PLR3279](#) [PS3](#) [A019305](#) [A019306](#) [A019501](#) [A029301](#) [A165W-T2AR](#) [R2AA2133NNNN](#) [R2AA4455NNNN](#) [R2BB4455NNNN](#)  
[ACSNO-6123-FB-C6002](#) [DR75-AMSF-10R-B](#) [14-520.0360](#) [BCK1006](#) [1703.3201](#) [HW1MS-0202-101](#) [C6P0206N-A](#) [24002-03S](#) [A019109](#)  
[A029101](#) [A165W-T3MR](#) [A22NS-3BM-NRA-G120-NN](#) [ACSNO-129-YB-C1014](#)