

承 認 書

SPECIFICATION FOR APPROVAL

*客戶名稱 Customer name	: 立创
*產品名稱 Product Description	: 跷板开关
*產品型號 Product part number	: MPS11-GS180-R
*客戶料號 Customer's material number	:
*數量 Quantity	: 10 PCS
*日期 Date	:

供應商負責人簽名		客戶負責人確認簽回	
製作人	莫丽琴	承認人	
審核	李跃鑫	審核	
批准	王瑞宝	批准	

皓宇(香港)有限公司
HAOYU (HONG KONG) LIMITED
东莞市六均电子五金有限公司
LEGION ELECTRONIC&HARDWARE CO., LTD
富力隆电子(深圳)有限公司
ROCKTEK ELECTRONICS (SHENZHEN) CO. LTD
東莞市石碣鎮四村第一工業區
Sicun 1st Industrial park, Sicun,
Shijie Town, Dongguan

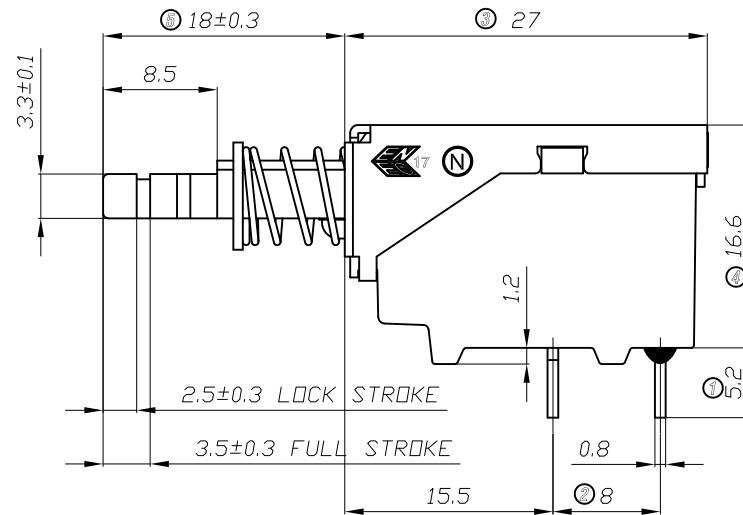
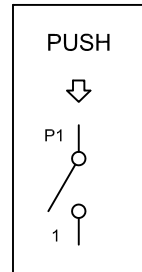
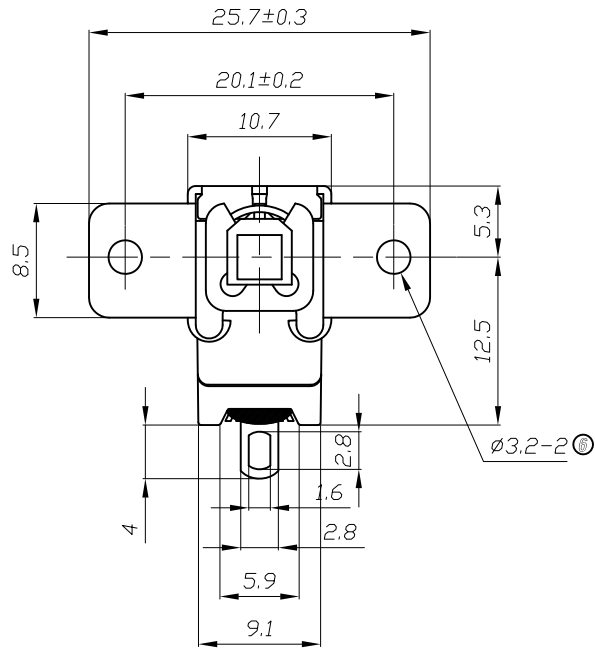
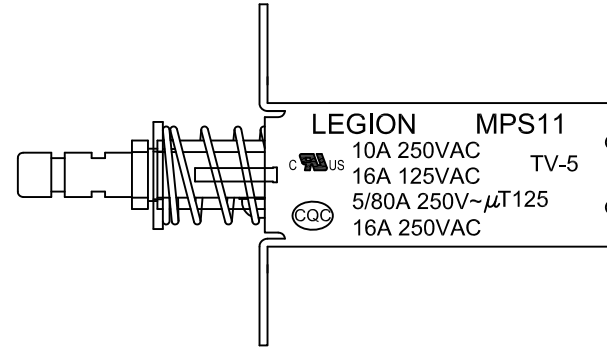
電話 : (86) 769-82310511-867
Tel No

傳真 : (86) 769-82310510
Fax No

郵箱 : hooya89@hooya.hk
E - mail

核 准 :
Approved

- 1.PUSH BUTTON SWITCH MODEL NO. MPS11-GS180-R
 2.SOLDERING TYPE, SHORT TERMINAL
 3.RATING:16A 125VAC/10A 250VAC(C-UL)
 TV-5(C-UL)
 5A/80A 250V~ μ T85(ENEC17;NEMKO)
 16A 250VAC 5/80A 250V~ μ T125(CQC)
 4.ALL MATERIALS USE IN CONFORMIY WITH THE RoHS DIRECTIVE

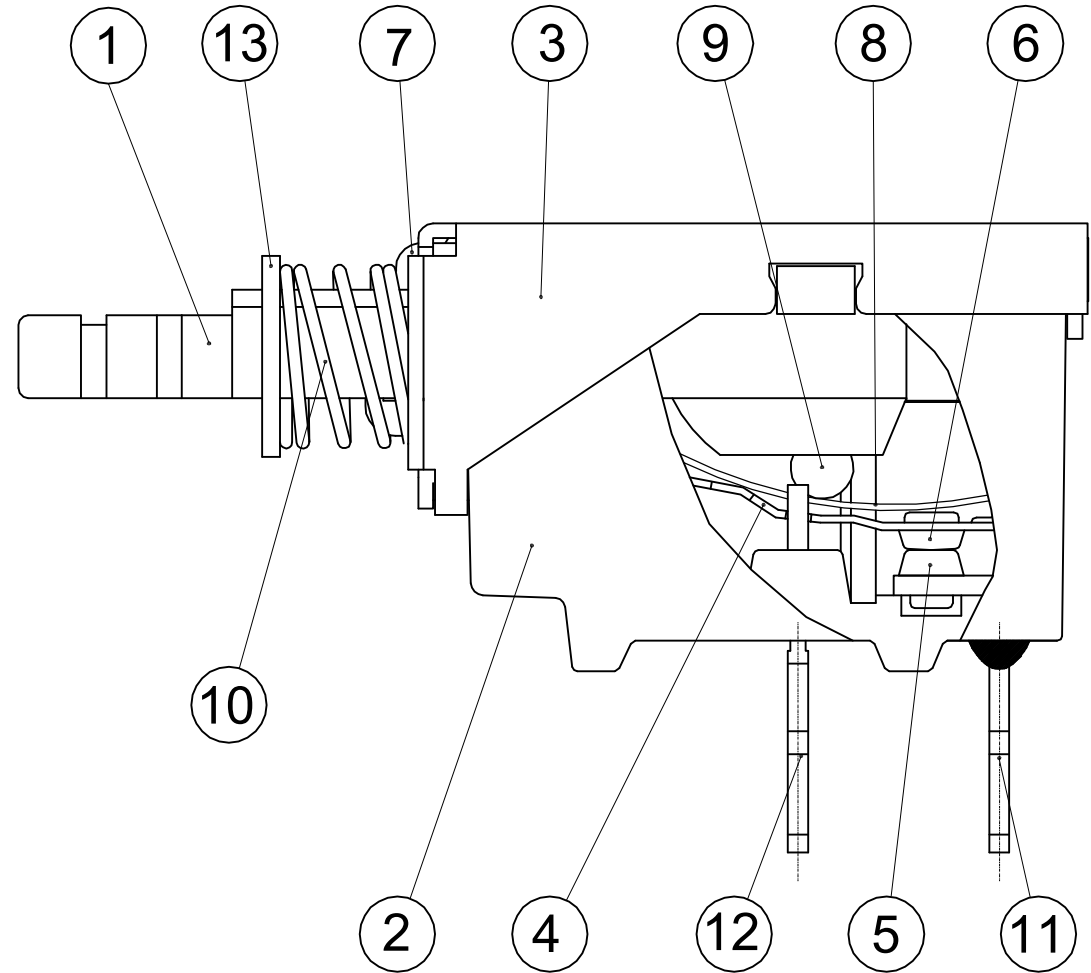


5	→	10	→	DIMENSIONAL TOLERANCES		APPROVED	CHECKED	DESIGN	DRAWN	ALL SIZE ARE IN	MM			
4	→	9	→	RANGE	TOLERANCE				LMC	SCALE	NO			
3	→	8	→	X	±0.30				2019.05.20	MAT'L	***			
2	→	7	→	X.X	±0.20					MATERIAL NO.		DRAWING NO.	REV.	
1	→	6	→	X.XX	±0.10							MPS11-GS180-R	*****	A0
NO	DESCRIPTION	NO	DESCRIPTION	ANGLES	±1'	LEGION ELECTRONIC & HARDWARE CO., LTD.								

PUSH BUTTON SWITCH MODEL:MPS11(SOLDERING TYPE)

MATERIAL LIST AND DESCRIPTION

NO.	PART NAME	MATERIAL DESCRIPTION
1.	ACTUATOR	PBT+30%G.F. 94V-0
2.	BASE	PHENOLIC 94V-0
3.	COVER	COLOR ZINC PLATED STEEL
4.	MOVABLE CONTACT	PHOSPHOR BRONZE
5.	SILVER CONTACT	AgSnO ₂ CLAD COPPER ALLOY
6.	SILVER CONTACT	
7.	LATCH PIN	NICKEL PLATED STEEL WIRE
8.	LEAF SPRING	PHOSPHOR BRONZE
9.	ROLLER BALL	CHROME PLATED CARBON STEEL
10.	SPRING	BLACK ZINC PLATED STEEL WIRE
11.	FULCRUM TERMINAL	SILVER PLATED BRASS ALLOY
12.	FIXED CONTACT TERMINAL	
13.	SPRING HOLDER	SK5/Cr+3PLATED



※ ALL MATERIALS USE IN CONFORMIY WITH THE RoHS DIRECTIVE

修正 REVISION	說明 DESCRIPTION	修訂者 REVISED BY	SPECIFICATION				公差 TOLERANCES		TOLERANCES UNLESS OTHERWISE SPEC.±0.5/0.02,ANG.±3		
			製圖 DRAWN BY	設計 DESIGNED BY	校對 CHECKED BY	核准 APPROVED BY	單位 UNIT	mm	機種名稱 MODEL NAME	PUSH SW	機種編號 MODEL NO.
△							比例 SCALE	1/1	六鈞電子五金有限公司 LEGION ELECTRONIC & HARDWARE CO., LTD		
△			4-Jun-2014	4-Jun-2014	4-Jun-2014	4-Jun-2014	日期 DATE	2014.6.4			

LEGION ELECTRONIC & HARDWARE CO., LTD.
ROTARY SWITCH TEST SPECIFICATION
按鍵式開關 測試規格
MPS11 SERIES SWITCHES TEST SPECIFICATIONS

1. APPLICATION (適用產品):

THIS SPECIFICATION IS APPLIED TO POWER SWITCHES USED FOR ELECTRONIC EQUIPMENT.

* 這份規格適用於電子產品的電源開關。

2. OPERATING TEMPERATURE RANGE (操作溫度範圍):

TEMPERATURE RANGE 0~125°C * 溫度範圍 0~125°C

SAVEING TEMPERATURE RANGE (保存溫度範圍):

TEMPERATURE RANGE -30~85°C * 溫度範圍 -30~85°C

3. TEST CONDITION (測試環境):

THE SWITCH IS TESTED AT A TEMPERATURE RANGE OF 5~35°C AND RELATIVE HUMIDITY RANGE OF 45~85%.

* 環境溫度範圍 : 5 ~ 35°C

* 相對濕度範圍 : 45 ~ 85%

4. RATING (額定):

(1) . 10A 250VAC; 16A 125VAC FOR C-UL

(2) . TV-5 FOR C-UL

(3) . 5A/80A 250V~μT85 FOR ENEC17 /NEMKO/CQC

(4) . 12A 250VAC; 16A 250VAC FOR CQC

5. ELECTRICAL PERFORMANCE (電氣性能):

5-1. CONTACT RESISTANCE (接觸電阻):

MEASURED BY FALL OF POTENTIAL METER AT DC **0.2 V/1A** SHOULD BE LESS THAN **50mΩ** INITIAL.

* 以微電阻計在 **DC 0.2V/1A** 的測試規格值下, 接觸電阻值應該小於 **50mΩ**

5-2. INSULATION RESISTANCE (絕緣電阻):

MEASURED WITH DC **500V** APPLIED BETWEEN TERMINALS OF OPEN CONTACTS AND BETWEEN TERMINALS OF OPPOSITE POLARITY, SHOULD BE MORE THAN **100MΩ**.

* 絕緣電阻計於 **DC 500V** 設定值下量測於開路的端子或不同迴路的端子,

其絕緣電阻值應該大於 **100MΩ**.

5-3. DIELECTRIC STRENGTH (耐電壓):

THE SWITCH SHALL WITHSTAND WITHOUT BREAKDOWN A POTENTIAL OF **AC 1500V** 0.5mA FOR 1-MINUTE BETWEEN TERMINALS OF OPEN CONTACTS AND TERMINALS OF OPPOSITE POLARITY, **AC 3000V** 0.5mA FOR 1 MINUTE BETWEEN TERMINALS AND METAL

COVER.

* 不同極的兩支端子開路時，必須通過一分鐘 0.5mA 1500VAC 的耐電壓。

* 端子與金屬外殼，必須通過一分鐘 0.5mA 3000VAC 的耐電壓。

2. OVERLOAD AND ENDURANCE TEST (過負載壽命測試):

THE SWITCH SHALL BE OPERATED ACCORDING TO FOLLOWING TABLE

* 開關應該依照下列表格的操作方式進行測試。

C-UL STANDARD (北美標準)

CONDITION 測試狀況	VOLTAGE 測試電壓	CURRENT 測試電流	P.F. 功率因素	OPERATION SPEED 操作速率	NUMBER OF OPERATION 操作次數	SAFETY APPLICATION 適用安規
OVERLOAD 過負載	125VAC	20A	0.75~0.8	8 CYCLES PER MINUTE 每分鐘 8 次	50 CYCLES 50 次	UL/CSA
	250VAC	15A				
	125VAC	7.5/111A	TV-5			
ENDURANCE 壽命測試	125VAC	16A	0.75~0.8	8 CYCLES PER MINUTE 每分鐘 8 次	6000 CYCLES 6000 次	UL/CSA
	250VAC	10A				
	125VAC	5A/78A	TV-5		10000 CYCLES 10000 次	
CONTINUED ENDURANCE 持續電器壽命	125VAC	5A/78A	TV-5	8 CYCLES PER MINUTE 每分鐘 8 次	15000 CYCLES 15000 次	UL/CSA

EUROPE & CQC STANDARD (歐洲 & CQC 標準)

INCREASED VOLTAGE TEST AT ACCELERATED SPEED (增加伏特數的加速測試)

CONDITION 測試狀況	VOLTAGE 測試電壓	CURRENT 測試電流	P.F. 功率因素	OPERATION SPEED 操作速率	NUMBER OF OPERATION 操作次數	SAFETY APPLICATION 適用安規
MAKING 開路	287.5VAC	80A	0.95	30 CYCLES PER MINUTE 每分鐘 30 次	100 CYCLES 100 次	VDE/NEMKO /CQC
BREAKING 開路		5A	0.95			
		13.8A	0.95	15 CYCLES PER MINUTE 每分鐘 15 次		CQC

TEST AT LOW SPEED (低速測試)						
MAKING 開路	250VAC	80A	0.95	30 CYCLES PER MINUTE 每分鐘 30 次	100 CYCLES 100 次	VDE/NEMKO /CQC
BREAKING 開路		5A	0.95	15 CYCLES PER MINUTE 每分鐘 15 次		CQC
		12A	0.95			
TEST AT ACCELERATED SPEED (加速測試)						
MAKING 開路	250VAC	80A	0.95	30 CYCLES PER MINUTE 每分鐘 30 次	9800 CYCLES 9800 次	VDE/NEMKO /CQC
BREAKING 開路		5A	0.95	15 CYCLES PER MINUTE 每分鐘 15 次		CQC
		12A	0.95			

3. TEMPERATURE TEST (溫升試驗):

THE TEMPERATURE TEST SHOULD BE TAKEN AFTER ENDURANCE TEST WITH ITS RATED CURRENT AND VOLTAGE.

THE TEMPERATURE RISING SHALL NOT BE MORE THAN 55°C.

溫升測試應該於壽命測試結束後隨即測試，以同樣的電流與電壓量測，溫升值必須低於攝氏 55°。

4. MECHANICAL PERFORMANCE (機械性能):

8-1. OPERATION FORCE (操作力量): 500gf±200gf (Or 400 gf±150gf Or700 gf±200gf)

A STATIC FORCE BEING APPLIED IN ONE DIRECTION ON THE TIP OF ACTUATOR.

PERFORMANCE AS PER INDIVIDUAL SPECTIFICATIONS.

* 固定的力量運用於同一方向在柄的頂端，依照個別開關的特性實行。

8-2. STOPER STRENGTH (柄的強度):

A STATIC LOAD OF 8 Kgf BEING APPLIED IN THE OPERATION DIRECTION FOR 15 SECONDS.

A STATIC LOAD OF 4 Kgf BEING APPLIED IN THE DIRECTION OF PULLING FOR 15 SECONDS.

THERE SHALL NOT BE ANY TROUBLES AS DEVIATION AND BENDING.

* 以 8Kgf 的力量，沿柄軸向方向施壓 15 秒以及以 4Kgf 的力量，拉 15 秒（開關允許在 ON 狀態下）。不可以有偏向與彎曲的情形；以 4Kgf 力量，垂直柄方向施壓，柄允許彎曲但不可斷裂。

8-3. SOLDERING (焊錫特性):

IMMERSE THE TERMINAL LEADS INTO MOLTEN SOLDER AT TEMPERATURE OF $230\pm 5^{\circ}\text{C}$ FOR 3 ± 0.5 SECONDS. MORE THAN 75% OF PART IMMERSSED SHOULD BE COVERED WITH SOLDER.

* 端子浸入 $230\pm 5^{\circ}\text{C}$ 溫度溶化的焊錫中 3 ± 0.5 秒, 75% 以上的部分應該被焊錫包覆.

8-4. TERMINAL STRENGTH (端子強度):

A STATIC FORCE OF **2.27 KGF** BEING APPLIED IN ONE DIRECTION ON THE TIP OF THE TERMINAL FOR 1 MINUTE. THE TERMINAL MAY BE DEFORMED, BUT SHALL NOT SUSTAIN ANY TROUBLE AS DEVIATION AND BREAKING OF TERMINAL, AND BREAKING OF INSULATION MATERIAL.

* 施以固定 2.27Kgf 的力量於同一方向在端子的頂端一分鐘, 端子允許變形, 但是不可以有任何位移(偏向)與端子斷裂及絕緣材料的破裂.

8-5. SOLDERING HEAT RESISTANCE OF BASE (基座抗熱性):

TEMPERATURE AND DURATION OF DIPPING 焊錫溫度與持續時間

TYPE OF TERMINAL 端子型式	TEMPERATURE 溫度	DIPPING TIME 焊錫時間
TERMINAL FOR PCB WIRING * PCB 端子	$260\pm 5^{\circ}\text{C}$	8 SECONDS Max.
TERMINAL FOR LEAD WIRING * 焊線端子	$350\pm 5^{\circ}\text{C}$	5 SECONDS Max.

THERE SHALL NOT BE EXTREME DEFORMING IN APPEARANCE.

ELECTRICAL PERFORMANCE OF THE ABOVE ITEM 3 SHALL BE ASSURED.

* 基座不可以有極度變形狀況發生.

* 上文第 3 項的電子性能應該被保證.

5. ENVIROMENTAL TEST (環境實驗):

ITEM 項目	TEST CONDITIONS 測試狀況	CRITERIA 標準
COLD PROOF 耐寒	SWITCH FOR TESTING BEING KEPT IN THE CONDITIONS AT $-20\pm 2^{\circ}\text{C}$ IN THE TEMPERATURE FOR 96 HOURS AND IN A NORMAL AMBIENT CONDITION FOR ONE HOUR, THEN TO BE MEASURED WITHIN ONE HOUR. DROPS OF WATER BEING TAKEN AWAY. * 置於 $-20\pm 2^{\circ}\text{C}$ 的環境溫度中 96 小時, 然後再置於常溫中 1 小時後, 水滴揮發後, 在 1 小時內量測. (標準如右)	CONTACT RESISTANCE(接觸電阻): ITEM 5-1 INSULATION RESISTANCE (絕緣電阻):

<p>HOT PROOF 耐熱</p>	<p>SWITCH FOR TESTING BEING KEPT IN THE CONDITIONS AT 85±2°C IN TEMPERATURE FOR ONE HOUR, THEN TO BE MEASURED WITHIN ONE HOUR. * 置於 85±2°C 的環境中 1 小時，然後在 1 小時內量測。(標準如右)</p>	<p>ITEM 5-2 VOLTAGE PROOF (耐電壓): ITEM 5-3 NO DIELECTRONIC BREAKDOWN SHALL OCCUR OPERATION FORCE (無耐電壓破壞操作發生): ITEM 8-1</p>
<p>RESISTANCE TO HUMIDITY 耐濕</p>	<p>SWITCH FOR TESTING BEING KEPT IN THE CONDITIOAS AT 40±2°C IN TEMPERATURE AND 90~95% RH FOR 96 HOURS, AND IN A NORMAL AMBIENT CONDITIONS FOR ONE HOUR, THEN TO BE MEASURE WITHIN ONE HOUR. DROP OF WATER BEING TAKEN AWAY * 置於 40±2°C 的環境溫度及 90~95% 的相對濕度中 96 小時，然後再置於常溫中 1 小時，水滴揮發後，在 1 小時內量測。(標準如右)</p>	<p>WITHIN +10-30% SPECIFIED VALUE. THERE SHALL BE NO DEFECTS IN APPERANCE OR IN THE MECHANICAL FUNCTIONS * 在 +10-30% 的規格值之內，其外觀與機械性能不可有影響。</p>

6. NOTICE(開關使用注意事項)：

10-1. When welding, any pressure applied to the terminals may cause conditions as looseness, deformation of terminals and electrical degradations.

給端子進行焊接時，如果在端子上施加負荷，因條件不同會有鬆動、變形、及電特性退化的可能，請在使用時注意。

10-2. When welding, water-soluble flux may causes corrosion to switches.

For second time welding job, please proceed welding after it is recovered to room temperature.

進行二次焊接時，請在第一次焊接部份恢復到常溫之后再進行。連續加熱可能使外圍部變形、端子鬆動，脫落及電特性降低。

10-3. Continuous heating may cause loose off, deformation of terminals and electrical degradations.

焊接時，水溶劑助焊劑有可能腐蝕開關的可能，請避免使用。

10-4. Do not clean it with water.

不能用水清洗

10-5. Before take off knobs form switches, please make sure the switch is at it's "OFF" position to avoid mechanical failure.

裝卸旋鈕時，請在解除自鎖的狀態下進行。在鎖住的狀態下進行，自鎖機構部會有變形的可能。

10-6. After final assembly as a completed product, please make sure that there's no erosion

gas/materials released from peripheral parts/materials as it may causes contact failure of switches.

如果使用開關的整機的周邊材料產生腐蝕性氣體，有可能造成接觸不良等現象，所以請事先進行充分確認。

10-7. Storage,

保管方法

a. Keep it storage under normal temperature, humidity and prevent from direct sunshine, erosion gas. Products sure be used within 6 months.

產品以交貨時的狀態在常溫，常濕，不受直射陽光照射，不產生腐蝕性氣體的場所保管，自交貨起 6 個月以內為限度，請盡可能快的使用。

b. For small quantity which taken from main packages, please keep it in plastic bags and sealed. And have it storage under up-mentioned environment.

開封后用塑料袋與外界氣體隔斷，請在與上述相同環境下保管，並盡快使用。

c. Do not pile up package more than 2 levels.

請不要過分地堆積。

修訂日期 REVISED DATE	修訂內容 DESCRIPTION	修訂者 REVISED BY	文件編號 FILE NO.	制定 WRITE BY	審核 CHECKED BY	核准 APPROVED BY
			SPEC-007	管林华 2013/05/22		
			版次 VERSION			
2013/11/11	增加 CQC12A 测试条件	唐彪	A 版 1 次			



产品认证证书

证书编号: CQC10002046598

申请人名称及地址

六钧电子有限公司

香港九龙观塘成业街 7 号宁晋中心 29 楼 B5-1

制造商名称及地址

东莞市六钧电子五金有限公司

广东省东莞市石碣镇石碣四村同德西路

生产企业名称及地址

东莞市六钧电子五金有限公司 (V013100)

广东省东莞市石碣镇石碣四村同德西路 (雅苑路 60 号)

产品名称和系列、规格、型号

按钮开关

MPS11 系列 16A 250VAC 12A 250VAC 5/80A 250VAC 50Hz T85 T125 μ 1E4 耐热 3 级 PTI175
锡焊端子 污染等级 2 系列描述见附件

产品标准和技术要求

GB/T15092.1-2010

认证模式

产品型式试验+获证后监督

上述产品符合 CQC11-462124-2009 认证规则的要求, 特发此证。

发证日期: 2018 年 11 月 07 日

本证书的有效性依据发证机构的定期监督获得保持。

本证书为变更证书, 证书首次颁发日期: 2010 年 06 月 09 日

主任: _____



中国质量认证中心

中国·北京·南四环西路 188 号 9 区 100070

<http://www.cqc.com.cn>

C 0130967



PRODUCT CERTIFICATE

CERTIFICATE NO.: CQC10002046598

NAME AND ADDRESS OF THE APPLICANT

LEGION ELECTRONIC CO.,LIMITED
B5-1,29/F,LEGEND TOWER,7 SHING KOWLOON,HK

NAME AND ADDRESS OF THE MANUFACTURER

DONG GUAN LEGION ELECTRONIC & HARDWARE CO.,LTD
Tongde West Road, No.4 Shijie Village, Shijie town, Dongguan City, Guangdong PROVINCE.

NAME AND ADDRESS OF THE FACTORY

DONG GUAN LEGION ELECTRONIC & HARDWARE CO.,LTD (V013100)
(No.60 Yayuan Road) Tongde West Road, No.4 Shijie Village, Shijie town, Dongguan City, Guangdong PROVINCE.

PRODUCT NAME, MODEL AND SPECIFICATION

PUSH SWITCH

MPS11 系列 16A 250VAC 12A 250VAC 5/80A 250VAC 50Hz T85 T125 μ 1E4 耐热 3 级 PTI175 锡焊端子 污染等级 2 系列描述见附件

THE STANDARDS AND TECHNICAL REQUIREMENTS FOR THE PRODUCTS

GB/T15092.1-2010

TYPE OF CERTIFICATION SCHEMES

Type Testing of Product + Follow up Factory Inspection

This is to certify that the above mentioned product(s) complies with the requirements of certification rules of CQC11-462124-2009 .

Valid from: Nov.07,2018

The validity of the certificate is subject to positive result of the regular follow up inspection by issuing certification body.

Date of original issued: Jun.09,2010

President: _____

Wang Kejiao



CHINA QUALITY CERTIFICATION CENTRE

Section 9, No.188, Nansihuan Xilu, Beijing 100070 P.R.China
<http://www.cqc.com.cn>

C 0130967

CB TEST CERTIFICATE CERTIFICAT D'ESSAI OC

Product

Produit

Name and address of the applicant

Nom et adresse du demandeur

Name and address of the manufacturer

Nom et adresse du fabricant

Name and address of the factory

Nom et adresse de l'usine

Note: When more than one factory, please report on page 2

Note: Lorsque il y plus d'une usine, veuillez utiliser la deuxième page

Ratings and principal characteristics

Valeurs nominales et caractéristiques principales

Trademark (if any)

Marque de fabrique (si elle existe)

Type of Manufacturer's Testing Laboratories used

Type de programme du laboratoire d'essais constructeur

Model / Type Ref.

Ref. De type

Additional information (if necessary may also be reported on page 2)

Les informations complémentaires (si nécessaire, peuvent être indiqués sur la deuxième page)

A sample of the product was tested and found to be in conformity with

Un échantillon de ce produit a été essayé et a été considéré conforme à la

As shown in the Test Report Ref. No. which forms part of this Certificate

Comme indiqué dans le Rapport de tests numéro de référence qui constitue partie de ce Certificat

This CB Test Certificate is issued by the National Certification Body

Ce Certificat de test OC est établi par l'Organisme National de Certification

Switch

Legion Electronic Co., Ltd.

Room M,4/F., Continental Mansion, 300 King's Road
Hong Kong

Dong Guan Legion Electronic & Hardware Co., Ltd.

Yayuan Road, the first industrial zone, Four village, Shijie town

Dongguan City, Guangdong Province

China

Dong Guan Legion Electronic & Hardware Co., Ltd.

Yayuan Road, the first industrial zone, Four village, Shijie town

Dongguan City, Guangdong Province

China

 Additional information on page 2

5/80A 250V AC

LEGION

MPS11 Series

Push-button switch for incorporation in class II appliances, circuit code 1.2, micro disconnection, 1E4 cycles, level 3, pollution degree 2, PTI250, T85/55, with solder and PCB terminals.

 Additional information on page 2

IEC 61058-1(ed.3);am1;am2

285593

Licence for use of the here shown ENEC conformity mark :



Based on:

Agreement on the use of a commonly agreed Mark on Conformity for equipment complying with European Standards as of 12 November 1991 (in short ENEC Agreement), as revised latest by ENEC group April 16. 1997.

Nemko hereby grants the following manufacturer as licensee the right to affix this ENEC mark on the product(s) specified below.

Product	Switch
Applicant	Legion Electronic Co., Ltd. Room M,4/F., Continental Mansion, 300 King's Road Hong Kong
Manufacturer	Dong Guan Legion Electronic & Hardware Co., Ltd. Yayuan Road, the first industrial zone, Four village, Shijie town, Dongguan City, Guangdong Province China
Factory	Dong Guan Legion Electronic & Hardware Co., Ltd. Yayuan Road, the first industrial zone, Four village, Shijie town, Dongguan City, Guangdong Province China <input type="checkbox"/> See next page(s)
Ratings	5/80A 250V AC; 10A/14A 250V AC
Trade mark	LEGION
Model / Type Ref.	MPS11 Series
Principal characteristics	Push-button switch for incorporation in class II appliances, circuit code 1.2, micro disconnection, 1E4 cycles, level 3, pollution degree 2, PTI250, T85, with solder and PCB terminals. <input type="checkbox"/> See next page(s)

A sample of the product was tested INST EN 61058-1:2002;A2
and found to be in conformity with

The conditions for this licence are that the ENEC-marked products conform with the applicable Standard(s) as stated in
the Test Report with Order No: 317017

and that Articles 8 and 9 of the ENEC Agreement are fulfilled by the manufacturer. The mark signifies the compliance of the
completed products with these conditions. Further information is given in the attached Annex, which forms an obligatory part of
this licence document. This licence has been issued under the presumption and conditional on the fact that the licensee holds all
necessary legal rights with regard to the product presented for testing and certification.

Additional model(s) See next page(s)

Date of issue 19-10-2016



Sweet Yuan

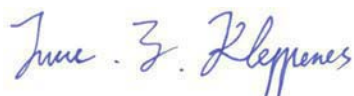
Certification Department

Nemko AS

Gaustadalléen 30, P.O. Box 73 Blindern, 0314 Oslo, Norway
TEL +47 22 96 03 30 FAX +47 22 96 05 50 EMAIL info@nemko.com
ENTERPRISE NUMBER NO974404532

Product	Switch
Applicant	Legion Electronic Co., Ltd. Room M,4/F., Continental Mansion, 300 King's Road Hong Kong
Manufacturer	Dong Guan Legion Electronic & Hardware Co., Ltd. Yayuan Road, the first industrial zone, Four village,Shijie town Dongguan City, Guangdong Province China
Factory	Dong Guan Legion Electronic & Hardware Co., Ltd. Yayuan Road, the first industrial zone, Four village,Shijie town Dongguan City, Guangdong Province China <input type="checkbox"/> See next page(s)
Ratings	5/80A 250V AC
Trade mark	LEGION
Model / Type Ref.	MPS11 Series
Principal characteristics	Push-button switch for incorporation in class II appliances, circuit code 1.2, micro disconnection, 1E4 cycles, level 3, pollution degree 2, PTI250, T85/55, with solder and PCB terminals. <input type="checkbox"/> See next page(s)
A sample of the product was tested and found to be in conformity with	INST EN 61058-1:2002;A2
Validity	This certificate documents conformity with the standards shown, and also applies as license for use of Nemkos name and certification mark. The certificate and license is valid as long as the applicable conditions are complied with, and provided that any changes to the product are notified to Nemko for acceptance prior to implementation. New standards or amendments to the standards may imply that the product design must be updated and/or that re-testing and re-certification is necessary.
Additional information	<input type="checkbox"/> See next page(s)
Additional model(s)	<input type="checkbox"/> See next page(s)

Date of issue 09-07-2015



Juan Z. Kleppenes

Certification Department

Nemko AS

Gaustadalléen 30, P.O. Box 73 Blindern, 0314 Oslo, Norway

TEL +47 22 96 03 30 FAX +47 22 96 05 50 EMAIL info@nemko.com

ENTERPRISE NUMBER NO974404532



UL Product iQ
UL'S NEXT GENERATION CERTIFICATIONS SEARCH
The same trusted data in a modern search engine.

NOW AVAILABLE

[▶ LEARN MORE](#)

WOYR2.E153399
Switches, Appliance and Special Use - Component

If you notice a change to your Woyr2 Listing Card, click [here](#) to learn more.

For enhanced search functionality, please visit UL's [iQ™ Family of Databases](#).

Click on a product designation for complete information.

[Page Bottom](#)

Switches, Appliance and Special Use - Component

[See General Information for Switches, Appliance and Special Use - Component](#)


LEGION ELECTRONIC CO LTD

E153399

Room M
4Th Fl, Continental Mansion
300 King's Rd
Hong Kong, HONG KONG

Investigated to ANSI/UL 61058-1

Cat. No.	Load	Amps	Volts	Hz	Temp (°C)	Pol/	Endurance		IP	Dis (mm)	SPCA	Std. Ed.
						Thr/ Cir	30C cycle	55C cycle				
Appliance Switches, "MPS21"												
MPS21 may be f/b any letters or digits												
	GP	16	125/250	50/60	T125	2/1-1.3	6K	10K	40	full 2.5	-	-
	hp	3/4	125/250	50/60	T125	2/1-1.3	6K	10K	40			
	GP	16	125/250	50/60	T125	1/1-1.2	6K	10K	40			
	hp	3/4	125/250	50/60	T125	1/1-1.2	6K	10K	40			
Appliance Switches												
SS21 may be f/b any letters or digits, f/b L, may be f/b any letters or digits												
	GP	21	125/250	50/60	T125/55	2/1-1.3	6K	10K	40	full 2.5	-	-
	GP	10	125/250	50/60	T125/55	2/1-1.3	6K	10K	40			
	GP	16(6)	125/250	50/60	T125/55	2/1-1.3	6K	10K	40			
	GP	12(4)	125/250	50/60	T125/55	2/1-1.3	6K	10K	40			
	GP	21	125/250	50/60	T125/55	1/1-1.2	6K	10K	40			
	GP	10	125/250	50/60	T125/55	1/1-1.2	6K	10K	40			
	GP	16(16)	125/250	50/60	T125/55	1/1-1.2	6K	10K	40			
	GP	12(4)	125/250	50/60	T125/55	1/1-1.2	6K	10K	40			

Marking: Company name or tradename "LEGION" , catalog, model or part number, electrical ratings and the Recognized Component Mark,  on the product or on the smallest unit container in which the product is packaged.

Investigated to ANSI/UL 1054


Cat. No.	Amps	Volts	Hz	Load	Endurance	Temp C	POL/ THR	Per Pole/ Circuit Code	SPCOA
EPS11	10	125	60	GP	6K	55	1/1	-/-	-
	10	250	60	GP	6K				

	-	-	-	GP	-				
	-	-	-	GP	-				
EPS21	10	125	60	GP	6K	55	2/1	PP/D1	-
	10	250	60	GP	6K				
	-	-	-	GP	-				
	-	-	-	GP	-				
FR01 f/b A1, A2 or A3, f/b F0 or F1, f/b L1									
	6	125	60	GP	6K	65	1/M	-/-	Note 6(16 thru 20 AWG)
	6	250	60	GP	6K				
MFR01 f/b A1, f/b F or M, f/b 04, 05, 06, 07, 08, 09 or 10, f/b L1									
	8	125	60	GP	6K	65	1/M	-/-	-
	8	250	60	GP	6K				
MPS11	16	125	60	GP	6K	85	1/1	PP/-	-
	10	250	60	GP	6K				
	5	125	60	TV	25K				
MPS21 f/b letter; f/b letter; f/b A or B; f/b Q; f/b M or Blank; f/b S or D; f/b -L or Blank; f/b 2 or Blank; f/b 2 or Blank; f/b -R or Blank)									
	16	125	50/60	GP	6K	65	2/1	PP/D1	Note 2
	16	250	50/60	GP	6K				
	-	125	50/60	3/4hp	6K				
	-	250	50/60	3/4hp	6K				
OVS-1 f/b A, B, C or D	12	125	60	GP	6K	150	M/M	PP/-	-
	12	250	60	GP	6K				
PS01-X-X-X	3	250	60	GP	6K	85	1/1	-/A	-
	6	125	60	GP	6K				
	6	125	60	L	6K				
SS11 f/b Letters, Numbers or Blank, f/b Q or S, f/b -Letters, -Numbers or Blank, f/b 20 or 30, f/b -Letters, -Numbers or Blank .									
	12	125	60	GP	6K	65	1/1,2/2	-/A	-
	12	250	60	GP	6K				
	16	125	60	GP	6K				
	16	250	60	GP	6K				
	10	125	60	GP	6K				
	10	250	60	GP	6K				
SS21, f/b suffixes	10	125	60	GP	6K	65	2/1	PP/C	-
	10	250	60	GP	6K				
SS21, f/b suffixes, f/b -S									
	10	125	60	GP	6K	65	1/1	-/A	-
	10	250	60	GP	6K				
SS24 f/b Letters, Numbers or Blank, f/b Q or S, f/b -Letters, -Numbers or Blank, f/b 40 or 60, f/b -Letters, -Numbers or Blank .									
	12	125	60	GP	6K	65	2/2 or 2/1	PP/D1	-
	12	250	60	GP	6K				
	10	125	60	GP	6K				
	10	250	60	GP	6K				
	6	125	60	GP	6K				
	6	250	60	GP	6K				

	16	125	60	GP	6K				
	16	250	60	GP	6K				
SS31 f/b letters; f/b Q, S or C; f/b R, F or L; f/b D; f/b 40, 41; f/b L or blank; f/b letters or numbers or blank.									
	16	125	50/60	GP	6K	65	2/1	PP/C	2,3
	16	250	50/60	GP	6K				
	-	125	50/60	3/4hp	6K				
	-	250	50/60	3/4hp	6K				
SS31 f/b letters; f/b Q, S or C; f/b R, F or L; f/b D; f/b 60; f/b L or blank; f/b letters or numbers or blank.									
	16	125	50/60	GP	6K	65	2/2	PP/C	2, 3
	16	250	50/60	GP	6K				
	-	125	50/60	3/4hp	6K				
	-	250	50/60	3/4hp	6K				
SS31 f/b letters; f/b Q, S or C; f/b R, F or L; f/b S; f/b 20 or 21; f/b L or blank; f/b letters or numbers or blank.									
	16	125	50/60	GP	6K	65	1/1	-/A	2, 3
	16	250	50/60	GP	6K				
	-	125	50/60	3/4hp	6K				
	-	250	50/60	3/4hp	6K				
SS31 f/b letters; f/b Q, S or C; f/b R, F or L; f/b T; f/b 40, 41; f/b L or blank; f/b letters or numbers or blank.									
	16	125	50/60	GP	6K	65	2/1	PP/C	2,3
	16	250	50/60	GP	6K				
	-	125	50/60	3/4hp	6K				
	-	250	50/60	3/4hp	6K				
SS31 f/b letters; f/b Q, S or C; f/b R, F or L; f/b T; f/b 60; f/b L or blank; f/b letters or numbers or blank.									
	16	125	50/60	GP	6K	65	2/2	PP/C	2, 3
	16	250	50/60	GP	6K				
	-	125	50/60	3/4hp	6K				
	-	250	50/60	3/4hp	6K				
SS31 f/b letters; f/b Q, S or C; f/b R, F; f/b S; f/b 30; f/b letters or numbers or blank.									
	16	125	50/60	GP	6K	65	1/2	-/A	3
	16	250	50/60	GP	6K				
	-	125	50/60	3/4hp	6K				
	-	250	50/60	3/4hp	6K				
VS12 f/b M or H, f/b 11, 12									
	12	125	60	GP	-	65	1/M	-/-	-
	12	250	60	GP	-				
	6	125	60	GP	-				
	3	250	60	GP	-				
	2	125	60	GP	-				
	1	250	60	GP	-				
VS34 f/b, M or H, f/b 11, 12, 21 or 22									
	12	125	60	GP	-	55	M/M	-/-	-
	12	250	60	GP	-				

Note 2 - These are lighted switches employing a lamp. The usable lamp life has not been evaluated.

Note 6 - The switch employs push-in terminals. These have been evaluated for use with solid and solder dipped stranded conductors of a specified size (shown within parenthesis in AWG).

Marking: Company name or tradename "LEGION" , catalog, model or part number, electrical ratings and the Recognized Component Mark,  on the product or on the smallest unit container in which the product is packaged.

Last Updated on 2018-06-29

[Questions?](#)

[Print this page](#)

[Terms of Use](#)

[Page Top](#)

◆ 2018 UL LLC

The appearance of a company's name or product in this database does not in itself assure that products so identified have been manufactured under UL's Follow-Up Service. Only those products bearing the UL Mark should be considered to be Certified and covered under UL's Follow-Up Service. Always look for the Mark on the product.

UL permits the reproduction of the material contained in the Online Certification Directory subject to the following conditions: 1. The Guide Information, Assemblies, Constructions, Designs, Systems, and/or Certifications (files) must be presented in their entirety and in a non-misleading manner, without any manipulation of the data (or drawings). 2. The statement "Reprinted from the Online Certifications Directory with permission from UL" must appear adjacent to the extracted material. In addition, the reprinted material must include a copyright notice in the following format: "© 2018 UL LLC".



UL Product iQ
UL'S NEXT GENERATION CERTIFICATIONS SEARCH
The same trusted data in a modern search engine.

NOW AVAILABLE
[▶ LEARN MORE](#)

WOYR8.E153399**Switches, Appliance and Special Use Certified for Canada - Component**

If you notice a change to your Woyr8 Listing Card, click [here](#) to learn more.

For enhanced search functionality, please visit UL's [iQ™ Family of Databases](#).

Click on a product designation for complete information.

[Page Bottom](#)

Switches, Appliance and Special Use Certified for Canada - Component

[See General Information for Switches, Appliance and Special Use Certified for Canada - Component](#)

LEGION ELECTRONIC CO LTD


E153399

Room M
4Th Fl, Continental Mansion
300 King's Rd
Hong Kong, HONG KONG

Investigated to CAN/CSA-C22.2 No. 61058-1

Cat. No.	Load	Amps	Volts	Hz	Temp (°C)	Pol/	Endurance		IP	Dis (mm)	SPCA	Std. Ed.
						Thr/ Cir	30C cycle	55C cycle				
Appliance Switches, "MPS21"												
MPS21 may be f/b any letters or digits												
	GP	16	125/250	50/60	T125	2/1-1.3	6K	10K	40	full 2.5	-	-
	hp	3/4	125/250	50/60	T125	2/1-1.3	6K	10K	40			
	GP	16	125/250	50/60	T125	1/1-1.2	6K	10K	40			
	hp	3/4	125/250	50/60	T125	1/1-1.2	6K	10K	40			
Appliance Switches												
SS21 may be f/b any letters or digits, f/b L, may be f/b any letters or digits												
	GP	21	125/250	50/60	T125/55	2/1-1.3	6K	10K	40	full 2.5	-	-
	GP	10	125/250	50/60	T125/55	2/1-1.3	6K	10K	40			
	GP	16(6)	125/250	50/60	T125/55	2/1-1.3	6K	10K	40			
	GP	12(4)	125/250	50/60	T125/55	2/1-1.3	6K	10K	40			
	GP	21	125/250	50/60	T125/55	1/1-1.2	6K	10K	40			
	GP	10	125/250	50/60	T125/55	1/1-1.2	6K	10K	40			
	GP	16(16)	125/250	50/60	T125/55	1/1-1.2	6K	10K	40			
	GP	12(4)	125/250	50/60	T125/55	1/1-1.2	6K	10K	40			

Marking: Company name or tradename "LEGION", catalog, model or part number, electrical ratings and the Recognized Component Mark for

Canada,  on the product or on the smallest unit container in which the product is packaged.

Investigated to CSA-C22.2 No. 55

Cat. No.	Amps	Volts	Hz	Load	Endurance	Temp C	POL/ THR	Per Pole/ Circuit Code	SPCOA
EPS11	10	125	60	GP	6K	55	1/1	-/-	-

	10	250	60	GP	6K				
	-	-	-	GP	-				
	-	-	-	GP	-				
EPS21	10	125	60	GP	6K	55	2/1	PP/D1	-
	10	250	60	GP	6K				
	-	-	-	GP	-				
	-	-	-	GP	-				
FR01 f/b A1, A2 or A3, f/b F0 or F1, f/b L1									
	6	125	60	GP	6K	65	1/M	-/-	Note 6(16 thru 20 AWG)
	6	250	60	GP	6K				
MFR01 f/b A1, f/b F or M, f/b 04, 05, 06, 07, 08, 09 or 10, f/b L1									
	8	125	60	GP	6K	65	1/M	-/-	-
	8	250	60	GP	6K				
MPS11	16	125	60	GP	6K	85	1/1	PP/-	-
	10	250	60	GP	6K				
	5	125	60	TV	25K				
MPS21 f/b letter; f/b letter; f/b A or B; f/b Q; f/b M or Blank; f/b S or D; f/b -L or Blank; f/b 2 or Blank; f/b 2 or Blank; f/b -R or Blank)									
	16	125	50/60	GP	6K	65	2/1	PP/D1	Note 2
	16	250	50/60	GP	6K				
	-	125	50/60	3/4hp	6K				
	-	250	50/60	3/4hp	6K				
OVS-1 f/b A, B, C or D	12	125	60	GP	6K	150	M/M	PP/-	-
	12	250	60	GP	6K				
PS01-X-X-X	3	250	60	GP	6K	85	1/1	-/A	-
	6	125	60	GP	6K				
	6	125	60	L	6K				
SS11 f/b Letters, Numbers or Blank, f/b Q or S, f/b -Letters, -Numbers or Blank, f/b 20 or 30, f/b -Letters, -Numbers or Blank .									
	12	125	60	GP	6K	65	1/1,2/2	-/A	-
	12	250	60	GP	6K				
	16	125	60	GP	6K				
	16	250	60	GP	6K				
	10	125	60	GP	6K				
	10	250	60	GP	6K				
SS21, f/b suffixes	10	125	60	GP	6K	65	2/1	PP/C	-
	10	250	60	GP	6K				
SS21, f/b suffixes, f/b -S									
	10	125	60	GP	6K	65	1/1	-/A	-
	10	250	60	GP	6K				
SS24 f/b Letters, Numbers or Blank, f/b Q or S, f/b -Letters, -Numbers or Blank, f/b 40 or 60, f/b -Letters, -Numbers or Blank .									
	12	125	60	GP	6K	65	2/2 or 2/1	PP/D1	-
	12	250	60	GP	6K				
	10	125	60	GP	6K				
	10	250	60	GP	6K				
	6	125	60	GP	6K				

	6	250	60	GP	6K				
	16	125	60	GP	6K				
	16	250	60	GP	6K				
SS31 f/b letters; f/b Q, S or C; f/b R, F or L; f/b D; f/b 40, 41; f/b L or blank; f/b letters or numbers or blank.									
	16	125	50/60	GP	6K	65	2/1	PP/C	2,3
	16	250	50/60	GP	6K				
	-	125	50/60	3/4hp	6K				
	-	250	50/60	3/4hp	6K				
SS31 f/b letters; f/b Q, S or C; f/b R, F or L; f/b D; f/b 60; f/b L or blank; f/b letters or numbers or blank.									
	16	125	50/60	GP	6K	65	2/2	PP/C	2, 3
	16	250	50/60	GP	6K				
	-	125	50/60	3/4hp	6K				
	-	250	50/60	3/4hp	6K				
SS31 f/b letters; f/b Q, S or C; f/b R, F or L; f/b S; f/b 20 or 21; f/b L or blank; f/b letters or numbers or blank.									
	16	125	50/60	GP	6K	65	1/1	-/A	2, 3
	16	250	50/60	GP	6K				
	-	125	50/60	3/4hp	6K				
	-	250	50/60	3/4hp	6K				
SS31 f/b letters; f/b Q, S or C; f/b R, F or L; f/b T; f/b 40, 41; f/b L or blank; f/b letters or numbers or blank.									
	16	125	50/60	GP	6K	65	2/1	PP/C	2,3
	16	250	50/60	GP	6K				
	-	125	50/60	3/4hp	6K				
	-	250	50/60	3/4hp	6K				
SS31 f/b letters; f/b Q, S or C; f/b R, F or L; f/b T; f/b 60; f/b L or blank; f/b letters or numbers or blank.									
	16	125	50/60	GP	6K	65	2/2	PP/C	2, 3
	16	250	50/60	GP	6K				
	-	125	50/60	3/4hp	6K				
	-	250	50/60	3/4hp	6K				
SS31 f/b letters; f/b Q, S or C; f/b R, F; f/b S; f/b 30; f/b letters or numbers or blank.									
	16	125	50/60	GP	6K	65	1/2	-/A	3
	16	250	50/60	GP	6K				
	-	125	50/60	3/4hp	6K				
	-	250	50/60	3/4hp	6K				
VS12 f/b M or H, f/b 11, 12									
	12	125	60	GP	-	65	1/M	-/-	-
	12	250	60	GP	-				
	6	125	60	GP	-				
	3	250	60	GP	-				
	2	125	60	GP	-				
	1	250	60	GP	-				
VS34 f/b, M or H, f/b 11, 12, 21 or 22									
	12	125	60	GP	-	55	M/M	-/-	-
	12	250	60	GP	-				

Note 2 - These are lighted switches employing a lamp. The usable lamp life has not been evaluated.

Note 6 - The switch employs push-in terminals. These have been evaluated for use with solid and solder dipped stranded conductors of a specified size (shown within parenthesis in AWG).

Marking: Company name or tradename "LEGION" , catalog, model or part number, electrical ratings and the Recognized Component Mark for

Canada,  on the product or on the smallest unit container in which the product is packaged.

Last Updated on 2018-06-29

[Questions?](#)

[Print this page](#)

[Terms of Use](#)

[Page Top](#)

◆ 2018 UL LLC

The appearance of a company's name or product in this database does not in itself assure that products so identified have been manufactured under UL's Follow-Up Service. Only those products bearing the UL Mark should be considered to be Certified and covered under UL's Follow-Up Service. Always look for the Mark on the product.

UL permits the reproduction of the material contained in the Online Certification Directory subject to the following conditions: 1. The Guide Information, Assemblies, Constructions, Designs, Systems, and/or Certifications (files) must be presented in their entirety and in a non-misleading manner, without any manipulation of the data (or drawings). 2. The statement "Reprinted from the Online Certifications Directory with permission from UL" must appear adjacent to the extracted material. In addition, the reprinted material must include a copyright notice in the following format: "© 2018 UL LLC".

X-ON Electronics

Largest Supplier of Electrical and Electronic Components

Click to view similar products for [Pushbutton Switches](#) category:

Click to view products by [Legion](#) manufacturer:

Other Similar products are found below :

[8971K1133](#) [LW2L-M1C20M-A](#) [01-153.025](#) [M22-D-R-GB0/K11](#) [67021K512](#) [701PB580](#) [7199K101](#) [810K12910](#) [810KSV30B](#) [FLT 2U EE](#)
[01A](#) [MML21EA2ADK](#) [MML21KA3ABK](#) [MML23KW3AA01W](#) [8418K2](#) [8442K3](#) [8450K1](#) [860K11911T01A](#) [861901](#) [861K11911T01A07](#)
[861K13810T00A14](#) [861K13911](#) [8646AB6X718UL](#) [9533CD4+U574+U4922](#) [99-450.837](#) [99-453.837](#) [A2PMA1X03EC56](#) [A3A-7310](#) [A3A-](#)
[7340](#) [12037A2ULCSA](#) [1203A2UL](#) [ABGW410-R](#) [1211390004](#) [ABN400-R](#) [121382](#) [1213C3](#) [HE3B-M2](#) [1211500044](#) [121194](#) [1212MRA](#)
[1232A6NF](#) [121489](#) [1223A2ULCSA](#) [D5P-MT4](#) [13435AG](#) [13445AD29GX768](#) [AG23-L2](#) [AH165-2SGLG1TE3](#) [AH165-TGFY22](#) [AH165-](#)
[TGL5Y11E3](#) [AH165-TGLR11AA3](#)