

# 承 認 書

## SPECIFICATION FOR APPROVAL

\*客戶名稱 :  
**Customer name**

---

\*產品名稱 : 按键开关  
**Product Description**

---

\*產品型號 : MPS11-ML180-3-R  
**Product part number**

---

\*客戶料號 :  
**Customer's material number**

---

\*數量 : 0 PCS  
**Quantity**

---

\*日期 :  
**Date**

---

供應商負責人簽名		客戶負責人確認簽回	
製作人	莫丽琴	承認人	
審核	李跃鑫	審核	
批准	王瑞宝	批准	

皓宇(香港)有限公司  
HAOYU (HONG KONG) LIMITED  
东莞市六均电子五金有限公司  
LEGION ELECTRONIC&HARDWARE CO., LTD  
富力隆电子(深圳)有限公司  
ROCKTEK ELECTRONICS (SHENZHEN) CO. LTD  
東莞市石碣鎮四村第一工業區  
Sicun 1st Industrial park, Sicun,  
Shijie Town, Dongguan

電話 : (86) 769-82310511-867  
Tel No

傳真 : (86) 769-82310510  
Fax No

郵箱 : [hooya89@hooya.hk](mailto:hooya89@hooya.hk)  
E - mail

核 准 :  
Approved

1.PUSH BUTTON SWITCH MODEL NO. MPS11-ML180-3-R

2.SOLDERING TYPE, LONG TERMINAL

3.RATING:16A 125VAC/10A 250VAC(C-UL)

TV-5(C-UL)

5A/80A 250V~ $\mu$ T85(ENEC17;NEMKO;CB)

12A 250VAC 5/80A 250V~ $\mu$ T85(CQC)

C-UL APPROVAL FILE NO. E153399

ENEC17 CERTIFIED NO.3703

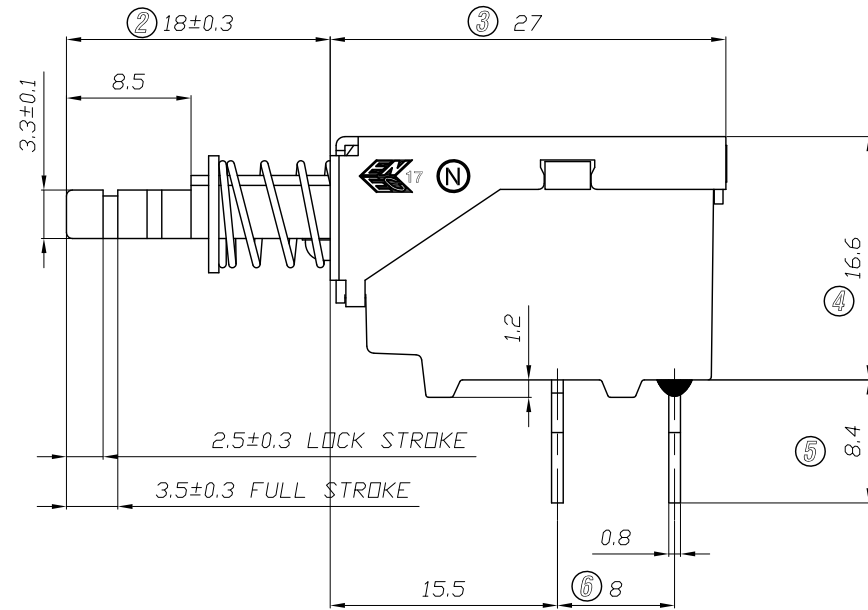
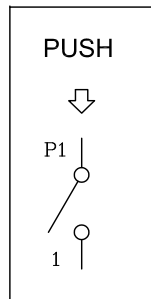
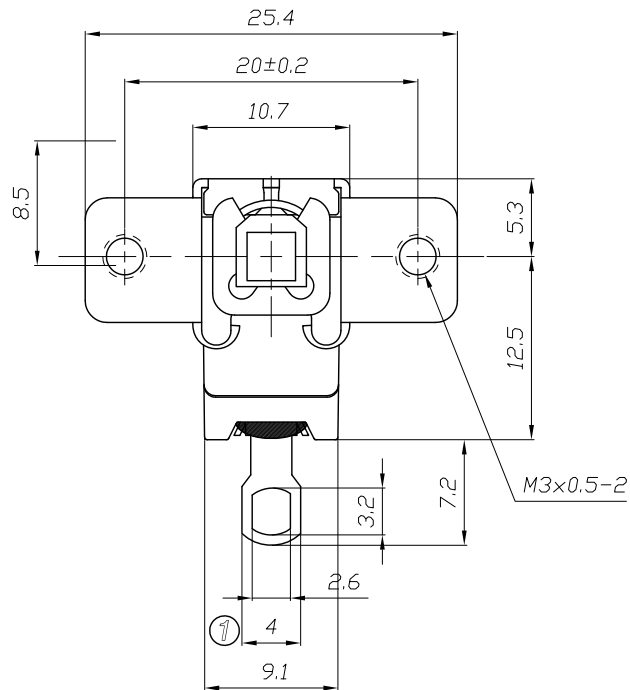
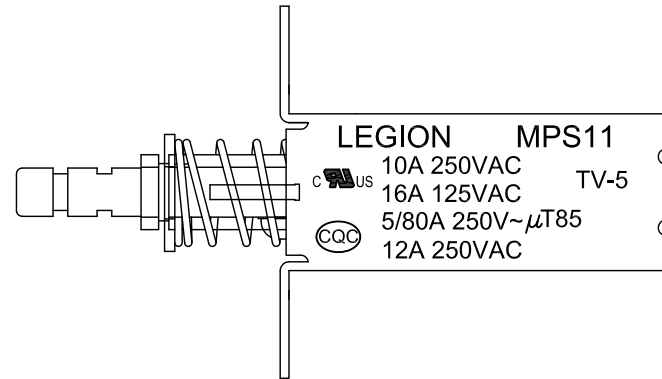
NEMKO CERTIFIED NO. P15219971

CQC CERTIFIED NO. CQC10002046598

CB CERTIFIED NO. 87379

4.OPERATION FORCE:400 $\pm$ 150gf

5.ALL MATERIALS USE IN CONFORMIY WITH THE RoHS DIRECTIVE



修正 REVISION	說明 DESCRIPTION	修訂者 REVISED BY	SPECIFICATION				公差 TOLERANCES		TOLERANCES UNLESS OTHERWISE SPEC.±0.5/0.02,ANG.±3°			
△			製圖 DRAWN BY	設計 DESIGNED BY	校對 CHECKED BY	核准 APPROVED BY	單位 UNIT	mm	機種名稱 MODEL NAME	PUSH SW	機種編號 MODEL NO.	MPS11-ML180-3-R
△			管林華 04-Aug-2014	唐彪 04-Aug-2014	唐彪 04-Aug-2014	吉慶五 04-Aug-2014	比例 SCALE	2/1	六鈞電子五金有限公司 LEGION ELECTRONIC & HARDWARE CO., LTD.			
△							日期 DATE	2014.8.4				

**LEGION ELECTRONIC & HARDWARE CO., LTD.**  
**ROTARY SWITCH TEST SPECIFICATION**  
**按鍵式開關 測試規格**  
**MPS11 SERIES SWITCHES TEST SPECIFICATIONS**

**1. APPLICATION (適用產品):**

THIS SPECIFICATION IS APPLIED TO POWER SWITCHES USED FOR ELECTRONIC EQUIPMENT.

\* 這份規格適用於電子產品的電源開關。

**2. OPERATING TEMPERATURE RANGE (操作溫度範圍) :**

TEMPERATURE RANGE 0~85°C \* 溫度範圍 0~85°C

**SAVEING TEMPERATURE RANGE (保存溫度範圍) :**

TEMPERATURE RANGE -30~85°C \* 溫度範圍 -30~85°C

**2. TEST CONDITION (測試環境):**

THE SWITCH IS TESTED AT A TEMPERATURE RANGE OF 5~35°C AND RELATIVE HUMIDITY RANGE OF 45~85%.

\* 環境溫度範圍 : 5 ~ 35°C

\* 相對濕度範圍 : 45 ~ 85%

**3. RATING (額定):**

(1) . 10A 250VAC; 16A 125VAC FOR C-UL

(2) . TV-5 FOR C-UL

(3) . 5A/80A 250V~μT85 FOR ENEC10/VDE/NEMKO/CQC

(4) . 12A 250VAC FOR CQC

**4. ELECTRICAL PERFORMANCE (電氣性能):**

**5-1. CONTACT RESISTANCE (接觸電阻):**

MEASURED BY FALL OF POTENTIAL METER AT DC **0.2 V/1A** SHOULD BE LESS THAN **20mΩ** INITIAL.

\* 以微電阻計在 **DC 0.2V/1A** 的測試規格值下, 接觸電阻值應該小於 **50 mΩ**

**5-2. INSULATION RESISTANCE (絕緣電阻):**

MEASURED WITH DC **500V** APPLIED BETWEEN TERMINALS OF OPEN CONTACTS AND BETWEEN TERMINALS OF OPPOSITE POLARITY, SHOULD BE MORE THAN **100MΩ**.

\* 絕緣電阻計於 **DC 500V** 設定值下量測於開路的端子或不同迴路的端子, 其絕緣電阻值應該大於 **100MΩ**.

**5-3. DIELECTRIC STRENGTH (耐電壓):**

THE SWITCH SHALL WITHSTAND WITHOUT BREAKDOWN A POTENTIAL OF **AC 1500V** 0.5mA FOR 1-MINUTE BETWEEN TERMINALS OF OPEN CONTACTS AND TERMINALS OF OPPOSITE POLARITY, **AC 3000V** 0.5mA FOR 1 MINUTE BETWEEN TERMINALS AND METAL

COVER.

\* 不同極的兩支端子開路時，必須通過一分鐘 0.5mA 1500VAC 的耐電壓。

\* 端子與金屬外殼，必須通過一分鐘 0.5mA 3000VAC 的耐電壓。

**5. OVERLOAD AND ENDURANCE TEST (過負載壽命測試):**

THE SWITCH SHALL BE OPERATED ACCORDING TO FOLLOWING TABLE

\* 開關應該依照下列表格的操作方式進行測試。

**C-UL STANDARD (北美標準)**

CONDITION 測試狀況	VOLTAGE 測試電壓	CURRENT 測試電流	P.F. 功率因素	OPERATION SPEED 操作速率	NUMBER OF OPERATION 操作次數	SAFETY APPLICATION 適用安規
OVERLOAD 過負載	125VAC	20A	0.75~0.8	8 CYCLES PER MINUTE 每分鐘 8 次	50 CYCLES 50 次	UL/CSA
	250VAC	15A				
	125VAC	7.5/111A	TV-5			
ENDURANCE 壽命測試	125VAC	16A	0.75~0.8	8 CYCLES PER MINUTE 每分鐘 8 次	6000 CYCLES 6000 次	UL/CSA
	250VAC	10A			10000 CYCLES 10000 次	
	125VAC	5A/78A	TV-5			
CONTINUED ENDURANCE 持續電器壽命	125VAC	5A/78A	TV-5	8 CYCLES PER MINUTE 每分鐘 8 次	15000 CYCLES 15000 次	UL/CSA

**EUROPE & CQC STANDARD (歐洲 & CQC 標準)**

**INCREASED VOLTAGE TEST AT ACCELERATED SPEED (增加伏特數的加速測試)**

CONDITION 測試狀況	VOLTAGE 測試電壓	CURRENT 測試電流	P.F. 功率因素	OPERATION SPEED 操作速率	NUMBER OF OPERATION 操作次數	SAFETY APPLICATION 適用安規
MAKING 閉路	287.5VAC	80A	0.95	30 CYCLES PER MINUTE 每分鐘 30 次	100 CYCLES 100 次	VDE/NEMKO /CQC
BREAKING 開路		5A	0.95			
		13.8A	0.95	15 CYCLES PER MINUTE 每分鐘 15 次		CQC

TEST AT LOW SPEED (低速測試)						
MAKING 閉路	250VAC	80A	0.95	30 CYCLES PER MINUTE 每分鐘 30 次	100 CYCLES 100 次	VDE/NEMKO /CQC
BREAKING 開路		5A	0.95	15 CYCLES PER MINUTE 每分鐘 15 次		CQC
		12A	0.95			
TEST AT ACCELERATED SPEED (加速測試)						
MAKING 閉路	250VAC	80A	0.95	30 CYCLES PER MINUTE 每分鐘 30 次	9800 CYCLES 9800 次	VDE/NEMKO /CQC
BREAKING 開路		5A	0.95	15 CYCLES PER MINUTE 每分鐘 15 次		CQC
		12A	0.95			

#### 6. TEMPERATURE TEST (溫升試驗) :

THE TEMPERATURE TEST SHOULD BE TAKEN AFTER ENDURANCE TEST WITH ITS RATED CURRENT AND VOLTAGE.

THE TEMPERATURE RISING SHALL NOT BE MORE THAN 55°C.

溫升測試應該於壽命測試結束後隨即測試，以同樣的電流與電壓量測，溫升值必須低於攝氏 55°.

#### 7. MECHANICAL PERFORMANCE (機械性能):

##### 8-1. OPERATION FORCE (操作力量): 500gf±200gf (Or 400 gf±150gf)

A STATIC FORCE BEING APPLIED IN ONE DIRECTION ON THE TIP OF ACTUATOR.  
PERFORMANCE AS PER INDIVIDUAL SPECTIFICATIONS.

\* 固定的力量運用於同一方向在柄的頂端，依照個別開關的特性實行。

##### 8-2. STOPER STRENGTH (柄的強度):

A STATIC LOAD OF 8 Kgf BEING APPLIED IN THE OPERATION DIRECTION FOR 15 SECONDS.  
A STATIC LOAD OF 4 Kgf BEING APPLIED IN THE DIRECTION OF PULLING FOR 15 SECONDS.  
THERE SHALL NOT BE ANY TROUBLES AS DEVIATION AND BENDING.

\* 以 8Kgf 的力量，沿柄軸向方向施壓 15 秒以及以 4Kgf 的力量，拉 15 秒（開關允許在 ON 狀態下）。不

可以有偏向與彎曲的情形；以 4Kgf 力量，垂直柄方向施壓，柄允許彎曲但不可斷裂。

### 8-3. SOLDERING (焊錫特性):

IMMERSE THE TERMINAL LEADS INTO MOLTEN SOLDER AT TEMPERATURE OF  $230\pm 5^{\circ}\text{C}$  FOR  $3\pm 0.5$  SECONDS. MORE THAN 75% OF PART IMMERSSED SHOULD BE COVERED WITH SOLDER.

\* 端子浸入  $230\pm 5^{\circ}\text{C}$  溫度溶化的焊錫中  $3\pm 0.5$  秒, 75%以上的部分應該被焊錫包覆。

### 8-4. TERMINAL STRENGTH (端子強度):

A STATIC FORCE OF 2.27 KGF BEING APPLIED IN ONE DIRECTION ON THE TIP OF THE TERMINAL FOR 1 MINUTE. THE TERMINAL MAY BE DEFORMED, BUT SHALL NOT SUSTAIN ANY TROUBLE AS DEVIATION AND BREAKING OF TERMINAL, AND BREAKING OF INSULATION MATERIAL.

\* 施以固定 2.27Kgf 的力量於同一方向在端子的頂端一分鐘, 端子允許變形, 但是不可以有任何位移(偏向)與端子斷裂及絕緣材料的破裂。

### 8-5. SOLDERING HEAT RESISTANCE OF BASE (基座抗熱性):

TEMPERATURE AND DURATION OF DIPPING 焊錫溫度與持續時間

TYPE OF TERMINAL 端子型式	TEMPERATURE 溫度	DIPPING TIME 焊錫時間
TERMINAL FOR PCB WIRING * PCB 端子	$260\pm 5^{\circ}\text{C}$	8 SECONDS Max.
TERMINAL FOR LEAD WIRING * 焊線端子	$350\pm 5^{\circ}\text{C}$	5 SECONDS Max.

THERE SHALL NOT BE EXTREME DEFORMING IN APPEARANCE.

ELECTRICAL PERFORMANCE OF THE ABOVE ITEM 3 SHALL BE ASSURED.

\* 基座不可以有極度變形狀況發生。

\* 上文第 3 項的電子性能應該被保證。

## 8. ENVIROMENTAL TEST (環境實驗):

ITEM 項目	TEST CONDITIONS 測試狀況	CRITERIA 標準
COLD PROOF 耐寒	SWITCH FOR TESTING BEING KEPT IN THE CONDITIONS AT $-20\pm 2^{\circ}\text{C}$ IN THE TEMPERATURE FOR 96 HOURS AND IN A NORMAL AMBIENT CONDITION FOR ONE HOUR, THEN TO BE MEASURED WITHIN ONE HOUR. DROPS OF WATER BEING TAKEN AWAY. * 置於 $-20\pm 2^{\circ}\text{C}$ 的環境溫度中 96 小時, 然後再置於常溫中 1 小時後, 水滴揮發後, 在 1 小時內量測。 (標準如右)	CONTACT RESISTANCE(接觸電阻): ITEM 5-1 INSULATION RESISTANCE (絕緣電阻):

<p>HOT PROOF 耐熱</p>	<p>SWITCH FOR TESTING BEING KEPT IN THE CONDITIONS AT 85±2°C IN TEMPERATURE FOR ONE HOUR, THEN TO BE MEASURED WITHIN ONE HOUR. * 置於 85±2°C 的環境中 1 小時, 然後在 1 小時內量測. (標準如右)</p>	<p>ITEM 5-2 VOLTAGE PROOF (耐電壓): ITEM 5-3 NO DIELECTRONIC BREAKDOWN SHALL OCCUR OPERATION FORCE (無耐電壓破壞操作發生): ITEM 8-1</p>
<p>RESISTANCE TO HUMIDITY 耐濕</p>	<p>SWITCH FOR TESTING BEING KEPT IN THE CONDITIOAS AT 40±2°C IN TEMPERATURE AND 90~95% RH FOR 96 HOURS, AND IN A NORMAL AMBIENT CONDITIONS FOR ONE HOUR, THEN TO BE MEASURE WITHIN ONE HOUR. DROP OF WATER BEING TAKEN AWAY * 置於 40±2°C 的環境溫度及 90~95% 的相對濕度中 96 小時, 然後再置於常溫中 1 小時, 水滴揮發後, 在 1 小時內量測. (標準如右)</p>	<p>WITHIN +10-30% SPECIFIED VALUE. THERE SHALL BE NO DEFECTS IN APPERANCE OR IN THE MECHANICAL FUNCTIONS * 在 +10-30% 的規格值之內, 其外觀與機械性能不可有影響.</p>

**9. NOTICE(開關使用注意事項) :**

10-1. When welding, any pressure applied to the terminals may cause conditions as looseness, deformation of terminals and electrical degradations.

給端子進行焊接時, 如果在端子上施加負荷, 因條件不同會有鬆動、變形、及電特性退化的可能, 請在使用時注意。

10-2. When welding, water-soluble flux may causes corrosion to switches.

For second time welding job, please proceed welding after it is recovered to room temperature.

進行二次焊接時, 請在第一次焊接部份恢復到常溫之后再進行。連續加熱可能使外圍部變形、端子鬆動, 脫落及電特性降低。

10-3. Continuous heating may cause loose off, deformation of terminals and electrical degradations.

焊接時, 水溶劑助焊劑有可能腐蝕開關的可能, 請避免使用。

10-4. Do not clean it with water.

不能用水清洗

10-5. Before take off knobs form switches, please make sure the switch is at it's "OFF" position to avoid mechanical failure.

裝卸旋鈕時, 請在解除自鎖的狀態下進行。在鎖住的狀態下進行, 自鎖機構部會有變形的可能。

10-6. After final assembly as a completed product, please make sure that there's no erosion gas/materials released from peripheral parts/materials as it may causes contact failure of switches.

如果使用開關的整機的周邊材料產生腐蝕性氣體，有可能造成接觸不良等現象，所以請事先進行充分確認。

10-7. Storage,  
保管方法

a. Keep it storage under normal temperature, humidity and prevent from direct sunshine, erosion gas. Products sure be used within 6 months.

產品以交貨時的狀態在常溫，常濕，不受直射陽光照射，不產生腐蝕性氣體的場所保管，自交貨起 6 個月以內為限度，請盡可能快的使用。

b. For small quantity which taken from main packages, please keep it in plastic bags and sealed. And have it storage under up-mentioned environment.

開封后用塑料袋與外界氣體隔斷，請在與上述相同環境下保管，並盡快使用。

c. Do not pile up package more than 2 levels.

請不要過分地堆積。

修訂日期 REVISED DATE	修訂內容 DESCRIPTION	修訂者 REVISED BY	文件編號 FILE NO.	制定 WRITE BY	審核 CHECKED BY	核准 APPROVED BY
			SPEC-007	管林华 2013/05/22		
			版次 VERSION			
2013/11/11	增加 CQC12A 测试条件	唐彪	A 版 1 次			





# 产品认证证书

证书编号: CQC10002046598

## 申请人名称及地址

六钧电子有限公司  
香港英皇道300号五洲大厦4楼M室

## 制造商名称及地址

东莞市六钧电子五金有限公司  
广东省东莞市石碣镇石碣四村同德西路

## 生产企业名称及地址

东莞市六钧电子五金有限公司 (V013100)  
广东省东莞市石碣镇石碣四村同德西路 (雅苑路60号)

## 产品名称和系列、规格、型号

按钮开关

MPS11系列 12A 250VAC 5/80A 250VAC 50Hz T85  $\mu$ 1E4 耐热3级 PTI175 锡焊端子 污染等级2 系列描述见附件

## 产品标准和技术要求

GB15092.1-2010

## 认证模式

产品型式试验+初次工厂检查+获证后监督

上述产品符合CQC11-462124-2009认证规则的要求, 特发此证。

发证日期: 2015年10月08日

证书有效期内本证书的有效性依据发证机构的定期监督获得保持。

本证书为变更证书, 证书首次颁发日期: 2010年06月09日

主任: \_\_\_\_\_



# 中国质量认证中心

中国·北京·南四环西路188号9区100070

<http://www.cqc.com.cn>

C 0074323

**CB TEST CERTIFICATE CERTIFICAT D'ESSAI OC**Product  
ProduitName and address of the applicant  
Nom et adresse du demandeurName and address of the manufacturer  
Nom et adresse du fabricantName and address of the factory  
Nom et adresse de l'usineNote: When more than one factory, please report on page 2  
Note: Lorsque il y plus d'une usine, veuillez utiliser la deuxième pageRatings and principal characteristics  
Valeurs nominales et caractéristiques principalesTrademark (if any)  
Marque de fabrique (si elle existe)Type of Manufacturer's Testing Laboratories used  
Type de programme du laboratoire d'essais constructeurModel / Type Ref.  
Ref. De typeAdditional information (if necessary may also be  
reported on page 2)  
Les informations complémentaires (si nécessaire,  
peuvent être indiqués sur la deuxième pageA sample of the product was tested and found  
to be in conformity with  
Un échantillon de ce produit a été essayé et a été  
considéré conforme à laAs shown in the Test Report Ref. No. which forms part  
of this Certificate  
Comme indiqué dans le Rapport desais numéro de  
référence qui constitue partie de ce CertificatThis CB Test Certificate is issued by the National Certification Body  
Ce Certificat desais OC est établi par l'Organisme **National de Certification**

Switch

Legion Electronic Co., Ltd.  
Room M,4/F., Continental Mansion, 300 King's Road  
Hong KongDong Guan Legion Electronic & Hardware Co., Ltd.  
Yayuan Road, the first industrial zone, Four village, Shijie  
town  
Dongguan City, Guangdong Province  
ChinaDong Guan Legion Electronic & Hardware Co., Ltd.  
Yayuan Road, the first industrial zone, Four village, Shijie  
town  
Dongguan City, Guangdong Province  
China Additional information on page 2

5/80A 250V AC

LEGION

MPS11 Series

Push-button switch for incorporation in class II appliances, circuit code  
1.2, micro disconnection, 1E4 cycles, level 3, pollution degree 2, PTI250,  
T85/55, with solder and PCB terminals. Additional information on page 2

IEC 61058-1(ed.3);am1;am2

285593

---

Licence for use of the here shown ENEC conformity mark :



Based on:

**Agreement on the use of a commonly agreed Mark on Conformity for equipment complying with European Standards as of 12 November 1991 (in short ENEC Agreement), as revised latest by ENEC group April 16. 1997.**

Nemko hereby grants the following manufacturer as licensee the right to affix this ENEC mark on the product(s) specified below.

Product	Switch
Applicant	Legion Electronic Co., Ltd. Room M,4/F., Continental Mansion, 300 King's Road Hong Kong
Manufacturer	Dong Guan Legion Electronic & Hardware Co., Ltd. Yayuan Road, the first industrial zone, Four village,Shijie town Dongguan City, Guangdong Province China
Factory	Dong Guan Legion Electronic & Hardware Co., Ltd. Yayuan Road, the first industrial zone, Four village,Shijie town Dongguan City, Guangdong Province China <input type="checkbox"/> See next page(s)
Ratings	5/80A 250V AC
Trade mark	LEGION
Model / Type Ref.	MPS11 Series
Principal characteristics	Push-button switch for incorporation in class II appliances, circuit code 1.2, micro disconnection, 1E4 cycles, level 3, pollution degree 2, PTI250, T85/55, with solder and PCB terminals. <input type="checkbox"/> See next page(s)

A sample of the product was tested INST EN 61058-1:2002;A2  
and found to be in conformity with

The conditions for this licence are that the ENEC-marked products conform with the applicable Standard(s) as stated in  
the Test Report with Order No: 285593

and that Articles 8 and 9 of the ENEC Agreement are fulfilled by the manufacturer. The mark signifies the compliance of the  
completed products with these conditions. Further information is given in the attached Annex, which forms an obligatory part of  
this licence document. This licence has been issued under the presumption and conditional on the fact that the licensee holds all  
necessary legal rights with regard to the product presented for testing and certification.

Additional model(s)  See next page(s)

Date of issue 09-07-2015



Juan Z. Kleppenes  
Certification Department

Product	Switch
Applicant	Legion Electronic Co., Ltd. Room M,4/F., Continental Mansion, 300 King's Road Hong Kong
Manufacturer	Dong Guan Legion Electronic & Hardware Co., Ltd. Yayuan Road, the first industrial zone, Four village,Shijie town Dongguan City, Guangdong Province China
Factory	Dong Guan Legion Electronic & Hardware Co., Ltd. Yayuan Road, the first industrial zone, Four village,Shijie town Dongguan City, Guangdong Province China <input type="checkbox"/> See next page(s)
Ratings	5/80A 250V AC
Trade mark	LEGION
Model / Type Ref.	MPS11 Series
Principal characteristics	Push-button switch for incorporation in class II appliances, circuit code 1.2, micro disconnection, 1E4 cycles, level 3, pollution degree 2, PT1250, T85/55, with solder and PCB terminals. <input type="checkbox"/> See next page(s)
A sample of the product was tested and found to be in conformity with	INST                    EN 61058-1:2002;A2
Validity	This certificate documents conformity with the standards shown, and also applies as license for use of Nemkos name and certification mark. The certificate and license is valid as long as the applicable conditions are complied with, and provided that any changes to the product are notified to Nemko for acceptance prior to implementation. New standards or amendments to the standards may imply that the product design must be updated and/or that re-testing and re-certification is necessary.
Additional information	<input type="checkbox"/> See next page(s)
Additional model(s)	<input type="checkbox"/> See next page(s)

Date of issue 09-07-2015



Juan Z. Kleppenes  
Certification Department

**Nemko AS**  
Gaustadalléen 30, P.O. Box 73 Blindern, 0314 Oslo, Norway  
TEL +47 22 96 03 30 FAX +47 22 96 05 50 EMAIL info@nemko.com  
ENTERPRISE NUMBER NO974404532



**WOYR2.E153399**  
**Switches, Appliance and Special Use - Component**

For enhanced search functionality, please visit UL's [iQ™ Family of Databases](#).  
 Click on a product designation for complete information.

[Page Bottom](#)

**Switches, Appliance and Special Use - Component**

[See General Information for Switches, Appliance and Special Use - Component](#)

**LEGION ELECTRONIC CO LTD**

E153399

Room M  
 4Th Fl, Continental Mansion  
 300 King's Rd  
 Hong Kong, HONG KONG

**Investigated to ANSI/UL 1054**

Cat. No.	Amps	Volts	Hz	Load	Endurance	Temp C	POL/THR	Per Pole/Circuit Code	SPCOA
<b>EPS11</b>	10	125	60	GP	6K	55	1/1	-/-	-
	10	250	60	GP	6K				
	-	-	-	GP	-				
	-	-	-	GP	-				
<b>EPS21</b>	10	125	60	GP	6K	55	2/1	PP/D1	-
	10	250	60	GP	6K				
	-	-	-	GP	-				
	-	-	-	GP	-				
<b>FR01 f/b A1, A2 or A3, f/b F0 or F1, f/b L1</b>									
	6	125	60	GP	6K	65	1/M	-/-	Note 6(16 thru 20 AWG)
	6	250	60	GP	6K				
<b>MFR01 f/b A1, f/b F or M, f/b 04, 05, 06, 07, 08, 09 or 10, f/b L1</b>									
	8	125	60	GP	6K	65	1/M	-/-	-
	8	250	60	GP	6K				
<b>MPS11</b>	16	125	60	GP	6K	85	1/1	PP/-	-
	10	250	60	GP	6K				
	5	125	60	TV	25K				
<b>MPS21 f/b letter; f/b letter; f/b A or B; f/b Q; f/b M or Blank; f/b S or D; f/b -L or Blank; f/b 2 or Blank; f/b 2 or Blank; f/b -R or Blank)</b>									
	16	125	50/60	GP	6K	65	2/1	PP/D1	Note 2
	16	250	50/60	GP	6K				
	-	125	50/60	3/4hp	6K				
	-	250	50/60	3/4hp	6K				
<b>OVS-1 f/b A, B, C or D</b>	12	125	60	GP	6K	150	M/M	PP/-	-
	12	250	60	GP	6K				
<b>PS01-X-X-X</b>	3	250	60	GP	6K	85	1/1	-/A	-
	6	125	60	GP	6K				

	6	125	60	L	6K				
<b>SS11, f/b Letters, Numbers or Blank, f/b Q or S, f/b -Letters, -Numbers or Blank, f/b 20 or 30, f/b -Letters, -Numbers or Blank .</b>									
	12	125	60	GP	6K	65	1/1,2/2	-/A	-
	12	250	60	GP	6K				
	16	125	60	GP	6K				
	16	250	60	GP	6K				
	10	125	60	GP	6K				
	10	250	60	GP	6K				
	6	125	60	GP	6K				
	6	250	60	GP	6K				
<b>SS21, f/b suffixes</b>	10	125	60	GP	6K	65	2/1	PP/C	-
	10	250	60	GP	6K				
<b>SS21, f/b suffixes, f/b -S</b>									
	10	125	60	GP	6K	65	1/1	-/A	-
	10	250	60	GP	6K				
<b>SS24, f/b Letters, Numbers or Blank, f/b Q or S, f/b -Letters, -Numbers or Blank, f/b 40 or 60, f/b -Letters, -Numbers or Blank .</b>									
	12	125	60	GP	6K	65	2/2 or 2/1	PP/D1	-
	12	250	60	GP	6K				
	10	125	60	GP	6K				
	10	250	60	GP	6K				
	6	125	60	GP	6K				
	6	250	60	GP	6K				
	16	125	60	GP	6K				
	16	250	60	GP	6K				
<b>SS31 f/b letters; f/b Q, S or C; f/b R, F or L; f/b D; f/b 40, 41; f/b L or blank; f/b letters or numbers or blank.</b>									
	16	125	50/60	GP	6K	65	2/1	PP/C	2,3
	16	250	50/60	GP	6K				
	-	125	50/60	3/4hp	6K				
	-	250	50/60	3/4hp	6K				
<b>SS31 f/b letters; f/b Q, S or C; f/b R, F or L; f/b D; f/b 60; f/b L or blank; f/b letters or numbers or blank.</b>									
	16	125	50/60	GP	6K	65	2/2	PP/C	2, 3
	16	250	50/60	GP	6K				
	-	125	50/60	3/4hp	6K				
	-	250	50/60	3/4hp	6K				
<b>SS31 f/b letters; f/b Q, S or C; f/b R, F or L; f/b S; f/b 20 or 21; f/b L or blank; f/b letters or numbers or blank.</b>									
	16	125	50/60	GP	6K	65	1/1	-/A	2, 3
	16	250	50/60	GP	6K				
	-	125	50/60	3/4hp	6K				
	-	250	50/60	3/4hp	6K				
<b>SS31 f/b letters; f/b Q, S or C; f/b R, F or L; f/b T; f/b 40, 41; f/b L or blank; f/b letters or numbers or blank.</b>									
	16	125	50/60	GP	6K	65	2/1	PP/C	2,3
	16	250	50/60	GP	6K				
	-	125	50/60	3/4hp	6K				
	-	250	50/60	3/4hp	6K				
<b>SS31 f/b letters; f/b Q, S or C; f/b R, F or L; f/b T; f/b 60; f/b L or blank; f/b letters or numbers or blank.</b>									
	16	125	50/60	GP	6K	65	2/2	PP/C	2, 3

	16	250	50/60	GP	6K				
	-	125	50/60	3/4hp	6K				
	-	250	50/60	3/4hp	6K				
<b>SS31 f/b letters; f/b Q, S or C; f/b R, F; f/b S; f/b 30; f/b letters or numbers or blank.</b>									
	16	125	50/60	GP	6K	65	1/2	-/A	3
	16	250	50/60	GP	6K				
	-	125	50/60	3/4hp	6K				
	-	250	50/60	3/4hp	6K				
<b>VS12 f/b M or H, f/b 11, 12</b>									
	12	125	60	GP	-	65	1/M	-/-	-
	12	250	60	GP	-				
	6	125	60	GP	-				
	3	250	60	GP	-				
	2	125	60	GP	-				
	1	250	60	GP	-				
<b>VS34 f/b, M or H, f/b 11, 12, 21 or 22</b>									
	12	125	60	GP	-	55	M/M	-/-	-
	12	250	60	GP	-				

Note 2 - These are lighted switches employing a lamp. The usable lamp life has not been evaluated.

Note 6 - The switch employs push-in terminals. These have been evaluated for use with solid and solder dipped stranded conductors of a specified size (shown within parenthesis in AWG).

Marking: Company name or tradename "LEGION", catalog, model or part number, electrical ratings and the Recognized Component Mark, on the product or on the smallest unit container in which the product is packaged.



Last Updated on 2016-07-19

[Questions?](#)

[Print this page](#)

[Terms of Use](#)

[Page Top](#)

◆ 2016 UL LLC

The appearance of a company's name or product in this database does not in itself assure that products so identified have been manufactured under UL's Follow-Up Service. Only those products bearing the UL Mark should be considered to be Certified and covered under UL's Follow-Up Service. Always look for the Mark on the product.

UL permits the reproduction of the material contained in the Online Certification Directory subject to the following conditions: 1. The Guide Information, Assemblies, Constructions, Designs, Systems, and/or Certifications (files) must be presented in their entirety and in a non-misleading manner, without any manipulation of the data (or drawings). 2. The statement "Reprinted from the Online Certifications Directory with permission from UL" must appear adjacent to the extracted material. In addition, the reprinted material must include a copyright notice in the following format: "© 2016 UL LLC".



**WOYR8.E153399**

**Switches, Appliance and Special Use Certified for Canada - Component**

For enhanced search functionality, please visit UL's [iQ™ Family of Databases](#).

Click on a product designation for complete information.

[Page Bottom](#)

**Switches, Appliance and Special Use Certified for Canada - Component**

[See General Information for Switches, Appliance and Special Use Certified for Canada - Component](#)

**LEGION ELECTRONIC CO LTD**

E153399

Room M  
4Th Fl, Continental Mansion  
300 King's Rd  
Hong Kong, HONG KONG

**Investigated to CSA-C22.2 No. 55**

Cat. No.	Amps	Volts	Hz	Load	Endurance	Temp C	POL/THR	Per Pole/Circuit Code	SPCOA
<b>EPS11</b>	10	125	60	GP	6K	55	1/1	-/-	-
	10	250	60	GP	6K				
	-	-	-	GP	-				
	-	-	-	GP	-				
<b>EPS21</b>	10	125	60	GP	6K	55	2/1	PP/D1	-
	10	250	60	GP	6K				
	-	-	-	GP	-				
	-	-	-	GP	-				
<b>FR01 f/b A1, A2 or A3, f/b F0 or F1, f/b L1</b>									
	6	125	60	GP	6K	65	1/M	-/-	Note 6(16 thru 20 AWG)
	6	250	60	GP	6K				
<b>MFR01 f/b A1, f/b F or M, f/b 04, 05, 06, 07, 08, 09 or 10, f/b L1</b>									
	8	125	60	GP	6K	65	1/M	-/-	-
	8	250	60	GP	6K				
<b>MPS11</b>	16	125	60	GP	6K	85	1/1	PP/-	-
	10	250	60	GP	6K				
	5	125	60	TV	25K				
<b>MPS21 f/b letter; f/b letter; f/b A or B; f/b Q; f/b M or Blank; f/b S or D; f/b -L or Blank; f/b 2 or Blank; f/b 2 or Blank; f/b -R or Blank)</b>									
	16	125	50/60	GP	6K	65	2/1	PP/D1	Note 2
	16	250	50/60	GP	6K				
	-	125	50/60	3/4hp	6K				
	-	250	50/60	3/4hp	6K				
<b>OVS-1 f/b A, B, C or D</b>	12	125	60	GP	6K	150	M/M	PP/-	-
	12	250	60	GP	6K				
<b>PS01-X-X-X</b>	3	250	60	GP	6K	85	1/1	-/A	-
	6	125	60	GP	6K				



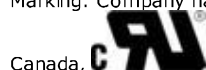
	6	125	60	L	6K					
<b>SS11, f/b Letters, Numbers or Blank, f/b Q or S, f/b -Letters, -Numbers or Blank, f/b 20 or 30, f/b -Letters, -Numbers or Blank .</b>										
	12	125	60	GP	6K	65	1/1,2/2	-/A	-	
	12	250	60	GP	6K					
	16	125	60	GP	6K					
	16	250	60	GP	6K					
	10	125	60	GP	6K					
	10	250	60	GP	6K					
	6	125	60	GP	6K					
	6	250	60	GP	6K					
<b>SS21, f/b suffixes</b>	10	125	60	GP	6K	65	2/1	PP/C	-	
	10	250	60	GP	6K					
<b>SS21, f/b suffixes, f/b -S</b>										
	10	125	60	GP	6K	65	1/1	-/A	-	
	10	250	60	GP	6K					
<b>SS24, f/b Letters, Numbers or Blank, f/b Q or S, f/b -Letters, -Numbers or Blank, f/b 40 or 60, f/b -Letters, -Numbers or Blank .</b>										
	12	125	60	GP	6K	65	2/2 or 2/1	PP/D1	-	
	12	250	60	GP	6K					
	10	125	60	GP	6K					
	10	250	60	GP	6K					
	6	125	60	GP	6K					
	6	250	60	GP	6K					
	16	125	60	GP	6K					
	16	250	60	GP	6K					
<b>SS31 f/b letters; f/b Q, S or C; f/b R, F or L; f/b D; f/b 40, 41; f/b L or blank; f/b letters or numbers or blank.</b>										
	16	125	50/60	GP	6K	65	2/1	PP/C	2,3	
	16	250	50/60	GP	6K					
	-	125	50/60	3/4hp	6K					
	-	250	50/60	3/4hp	6K					
<b>SS31 f/b letters; f/b Q, S or C; f/b R, F or L; f/b D; f/b 60; f/b L or blank; f/b letters or numbers or blank.</b>										
	16	125	50/60	GP	6K	65	2/2	PP/C	2, 3	
	16	250	50/60	GP	6K					
	-	125	50/60	3/4hp	6K					
	-	250	50/60	3/4hp	6K					
<b>SS31 f/b letters; f/b Q, S or C; f/b R, F or L; f/b S; f/b 20 or 21; f/b L or blank; f/b letters or numbers or blank.</b>										
	16	125	50/60	GP	6K	65	1/1	-/A	2, 3	
	16	250	50/60	GP	6K					
	-	125	50/60	3/4hp	6K					
	-	250	50/60	3/4hp	6K					
<b>SS31 f/b letters; f/b Q, S or C; f/b R, F or L; f/b T; f/b 40, 41; f/b L or blank; f/b letters or numbers or blank.</b>										
	16	125	50/60	GP	6K	65	2/1	PP/C	2,3	
	16	250	50/60	GP	6K					
	-	125	50/60	3/4hp	6K					
	-	250	50/60	3/4hp	6K					
<b>SS31 f/b letters; f/b Q, S or C; f/b R, F or L; f/b T; f/b 60; f/b L or blank; f/b letters or numbers or blank.</b>										
	16	125	50/60	GP	6K	65	2/2	PP/C	2, 3	

	16	250	50/60	GP	6K				
	-	125	50/60	3/4hp	6K				
	-	250	50/60	3/4hp	6K				
<b>SS31 f/b letters; f/b Q, S or C; f/b R, F; f/b S; f/b 30; f/b letters or numbers or blank.</b>									
	16	125	50/60	GP	6K	65	1/2	-/A	3
	16	250	50/60	GP	6K				
	-	125	50/60	3/4hp	6K				
	-	250	50/60	3/4hp	6K				
<b>VS12 f/b M or H, f/b 11, 12</b>									
	12	125	60	GP	-	65	1/M	-/-	-
	12	250	60	GP	-				
	6	125	60	GP	-				
	3	250	60	GP	-				
	2	125	60	GP	-				
	1	250	60	GP	-				
<b>VS34 f/b, M or H, f/b 11, 12, 21 or 22</b>									
	12	125	60	GP	-	55	M/M	-/-	-
	12	250	60	GP	-				

Note 2 - These are lighted switches employing a lamp. The usable lamp life has not been evaluated.

Note 6 - The switch employs push-in terminals. These have been evaluated for use with solid and solder dipped stranded conductors of a specified size (shown within parenthesis in AWG).

Marking: Company name or tradename "LEGION" , catalog, model or part number, electrical ratings and the Recognized Component Mark for



Canada, on the product or on the smallest unit container in which the product is packaged.

Last Updated on 2016-07-19

[Questions?](#)

[Print this page](#)

[Terms of Use](#)

[Page Top](#)

© 2016 UL LLC

The appearance of a company's name or product in this database does not in itself assure that products so identified have been manufactured under UL's Follow-Up Service. Only those products bearing the UL Mark should be considered to be Certified and covered under UL's Follow-Up Service. Always look for the Mark on the product.

UL permits the reproduction of the material contained in the Online Certification Directory subject to the following conditions: 1. The Guide Information, Assemblies, Constructions, Designs, Systems, and/or Certifications (files) must be presented in their entirety and in a non-misleading manner, without any manipulation of the data (or drawings). 2. The statement "Reprinted from the Online Certifications Directory with permission from UL" must appear adjacent to the extracted material. In addition, the reprinted material must include a copyright notice in the following format: "© 2016 UL LLC".

## X-ON Electronics

Largest Supplier of Electrical and Electronic Components

*Click to view similar products for [Pushbutton Switches](#) category:*

*Click to view products by [Legion](#) manufacturer:*

Other Similar products are found below :

[8971K1133](#) [LW2L-M1C20M-A](#) [01-153.025](#) [M22-D-R-GB0/K11](#) [67021K512](#) [701PB580](#) [7199K101](#) [810K12910](#) [810KSV30B](#) [FLT 2U EE](#)  
[01A](#) [MML21EA2ADK](#) [MML21KA3ABK](#) [MML23KW3AA01W](#) [8418K2](#) [8442K3](#) [8450K1](#) [860K11911T01A](#) [861901](#) [861K11911T01A07](#)  
[861K13810T00A14](#) [861K13911](#) [8646AB6X718UL](#) [9533CD4+U574+U4922](#) [99-450.837](#) [99-453.837](#) [A2PMA1X03EC56](#) [A3A-7310](#) [A3A-](#)  
[7340](#) [12037A2ULCSA](#) [1203A2UL](#) [ABGW410-R](#) [1211390004](#) [ABN400-R](#) [121382](#) [1213C3](#) [HE3B-M2](#) [1211500044](#) [121194](#) [1212MRA](#)  
[1232A6NF](#) [121489](#) [1223A2ULCSA](#) [D5P-MT4](#) [13435AG](#) [13445AD29GX768](#) [AG23-L2](#) [AH165-2SGLG1TE3](#) [AH165-TGFY22](#) [AH165-](#)  
[TGL5Y11E3](#) [AH165-TGLR11AA3](#)