

承 認 書

SPECIFICATION FOR APPROVAL

*客戶名稱 : 立創
Customer name
*產品名稱 : 按鍵开关
Product Description
*產品型號 : MPS21-WBDD-R
Product part number
*客戶料號 :
Customer's material number
*數量 : 100 PCS
Quantity
*日期 : 2019-1-4
Date

| 供應商負責人簽名 | | 客戶負責人確認簽回 |
|----------|-----|-----------|
| 製作人 | 莫麗琴 | 承認人 |
| 審核 | 李跃鑫 | 審核 |
| 批准 | 王瑞宝 | 批准 |

皓宇(香港)有限公司
HAOYU (HONG KONG) LIMITED
六均电子五金有限公司
LEGION ELECTRONIC&HARDWARE CO., LTD
富力隆电子(深圳)有限公司
ROCKTEK ELECTRONICS (SHENZHEN) CO. LTD
東莞市石碣鎮四村第一工業區
Sicun 1st Industrial park, Sicun,
Shijie Town, Dongguan

電話 : (86) 769-82310511-2

Tel No

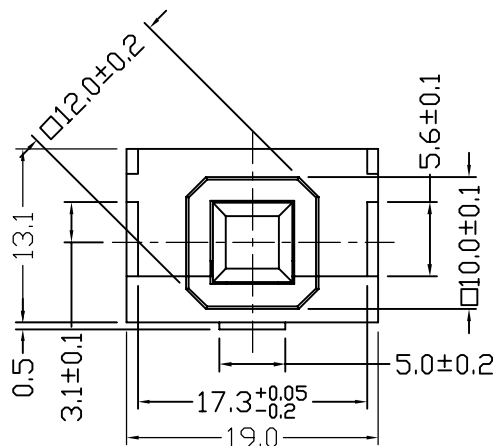
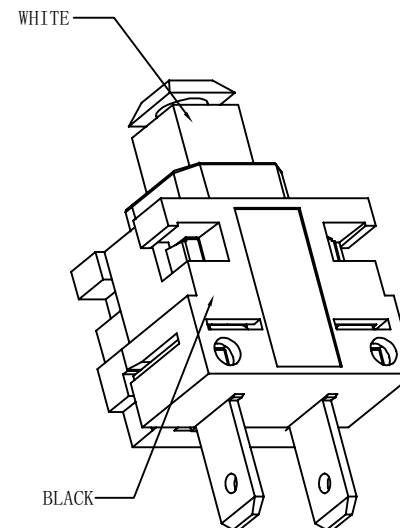
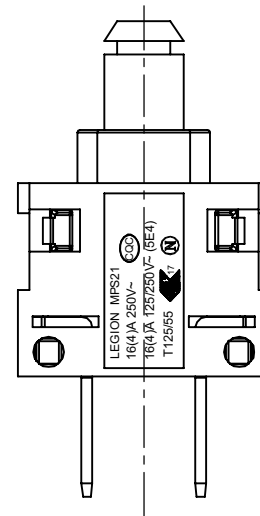
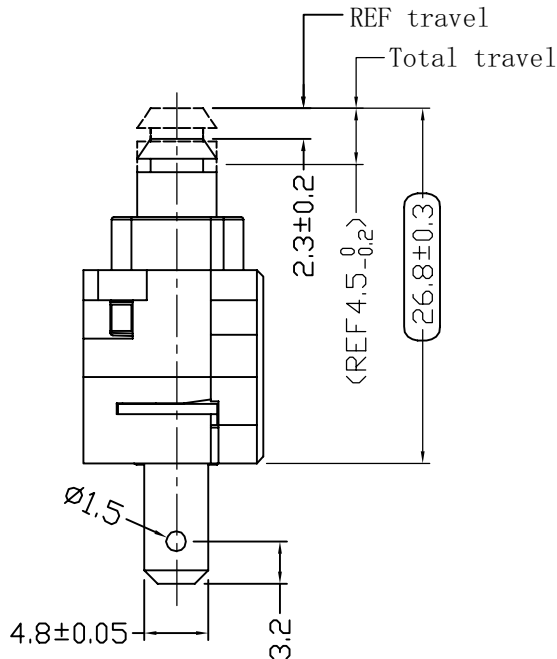
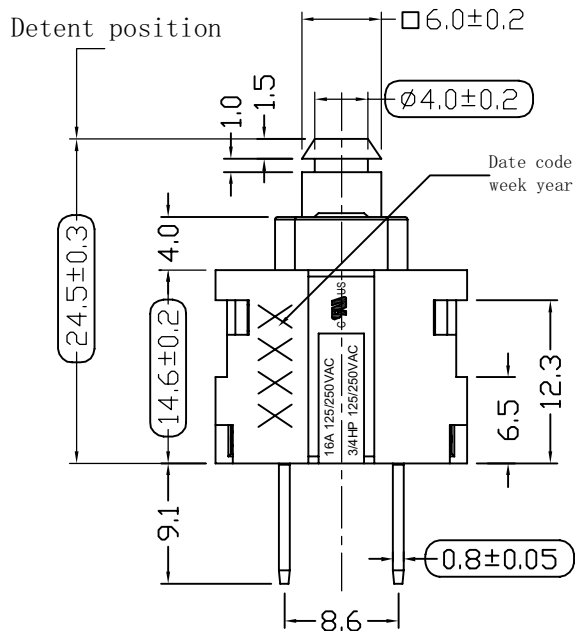
傳 真 : (86) 769-82310510

Fax No

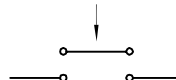
郵 箱 : haoyu888@21cn.com

E - mail

核 准 :
Approved



CIRCUIT DIAGRAM:



NOTES :

- 1.Circuit : ON/OFF
- 2.Operation force : 800±300gf
- 3.Rating : 16A 125/250VAC 3/4HP 125/250VAC(CUL)
16(4)A 125/250V~ T125/55 5E4 (ENEC17;NEMKO;CB)
16(4)A 250~ T125/55 1E4 (CQC)
- 4.Contact resistance : <30mΩ
5. Insulation resistance : >100MΩ(500VDC between open contacts)
- 6.Dielectric strength : >1500Vac 0.5mA 1 minute
- 7.Actuator color : WHITE
Housing color : BLACK

| | | | | | | | | | | | | | |
|----|-------------|----|-------------|------------------------|-----------|--|---------|--------|--------------|-----------------|-----|-------------|------|
| 5 | → | 10 | → | DIMENSIONAL TOLERANCES | | APPROVED | CHECKED | DESIGN | DRAWN | ALL SIZE ARE IN | MM | | |
| 4 | → | 9 | → | RANGE | TOLERANCE | | | | LMC | SCALE | NO | | |
| 3 | → | 8 | → | X | ±0.3 | | | | 2017. 05. 24 | MAT'L | *** | DRAWING NO. | REV. |
| 2 | → | 7 | → | X.X | ±0.2 | | | | | MATERIAL NO. | | | |
| 1 | → | 6 | → | X.XX | ±0.1 | | | | | | | ***** | A |
| NO | DESCRIPTION | NO | DESCRIPTION | ANGLES | ±1' | ROCK TEK ELECTRONIC(SHENZHEN) CO.,LTD. | | | | MPS21-WBBDD-R | | | |

4

3

2

1

LEGION ELECTRONIC CO., LTD.

按鍵式開關 測試規格

MPS21 SERIES SWITCHES TEST SPECIFICATIONS

1. APPLICATION (適用產品):

THIS SPECIFICATION IS APPLIED TO POWER SWITCHES USED FOR ELECTRONIC EQUIPMENT.

- * 這份規格適用於電子產品的電源開關。

2. OPERATING TEMPERATURE RANGE (操作溫度範圍):

TEMPERATURE RANGE -10~85°C * 溫度範圍 -10~85°C

SAVING TEMPERATURE RANGE (保存溫度範圍):

TEMPERATURE RANGE -30~35°C * 溫度範圍 -30~35°C

3. TEST CONDITION (測試環境):

THE SWITCH IS TESTED AT A TEMPERATURE RANGE OF 5~35°C AND RELATIVE HUMIDITY RANGE OF 45~85%.

- * 環境溫度範圍 : 5 ~ 35°C

- * 相對濕度範圍 : 45 ~ 85%

4. RATING (額定):

(1) .16A 125/250VAC; 3/4HP 125/250VAC FOR CUL

(2) . 16(4)A 125/250V~T125/250 FOR ENEC17/NEMKO/CB

(3) . 16(4)A 250V~T125/55 FOR CQC

5. ELECTRICAL PERFORMANCE (電氣性能):

5-1. CONTACT RESISTANCE (接觸電阻):

MEASURED BY FALL OF POTENTIAL METER AT DC 0.2 V/1A SHOULD BE LESS THAN 50mΩ INITIAL.

- * 以微電阻計在 DC 0.2V/1A 的測試規格值下，接觸電阻值應該小於 50mΩ

5-2. INSULATION RESISTANCE (絕緣電阻):

MEASURED WITH DC 500V APPLIED BETWEEN TERMINALS OF OPEN CONTACTS AND BETWEEN TERMINALS OF OPPOSITE POLARITY, SHOULD BE MORE THAN 100MΩ.

- * 絕緣電阻計於 DC 500V 設定值下量測於開路的端子或不同迴路的端子，其絕緣電阻值應該大於 100MΩ.

5-3. DIELECTRIC STRENGTH (耐電壓):

THE SWITCH SHALL WITHSTAND WITHOUT BREAKDOWN A POTENTIAL OF AC 1500V FOR 1-MINUTE BETWEEN TERMINALS OF OPEN CONTACTS AND TERMINALS OF OPPOSITE POLARITY, AC 3000V FOR 1 MINUTE BETWEEN TERMINALS AND METAL COVER.

- * 不同極的兩支端子開路時，必須通過一分鐘 1500VAC 的耐電壓。

- * 端子與金屬外殼，必須通過一分鐘 3000VAC 的耐電壓。

6. OVERLOAD AND ENDURANCE TEST (過負載壽命測試):

THE SWITCH SHALL BE OPERATED ACCORDING TO FOLLOWING TABLE

* 開關應該依照下列表格的操作方式進行測試。

CUL STANDARD (北美標準)

| CONDITION 測試狀況 | VOLTAGE 測試電壓 | CURRENT 測試電流 | P.F. 功率因素 | OPERATION SPEED 操作速率 | NUMBER OF OPERATION 操作次數 | SAFETY APPLICATION 適用安規 |
|-------------------|-----------------|-----------------|--------------|-----------------------------------|--------------------------------|-------------------------------|
| OVERLOAD 過負載 | 125VAC | 20A | 0.75~0.8 | 8 CYCLES PER MINUTE 每分鐘 8 次 | 50 CYCLES 50 次 | CUL |
| | 250VAC | | | | | |
| ENDURANCE 壽命測試 | 125VAC | 16A | 0.75~0.8 | 8 CYCLES PER MINUTE 每分鐘 8 次 | 6000 CYCLES 6000 次 | CUL |
| | 250VAC | | | | | |

EUROPE STANDARD (歐洲標準)

INCREASED VOLTAGE TEST AT ACCELERATED SPEED (增加伏特數的加速測試)

| CONDITION 測試狀況 | VOLTAGE 測試電壓 | CURRENT 測試電流 | P.F. 功率因素 | OPERATION SPEED 操作速率 | NUMBER OF OPERATION 操作次數 | SAFETY APPLICATION 適用安規 |
|-------------------|-----------------|-----------------|--------------|------------------------------------|--------------------------------|-------------------------------|
| MAKING 閉路 | 287.5VAC | 27.6A | 0.6 | 15CYCLES PER MINUTE 每分鐘 15 次 | 100 CYCLES 100 次 | ENEC17/NEMKO/ CB/CQC |
| BREAKING 開路 | | 18.4A | 0.95 | | | |

TEST AT LOW SPEED (低速測試)

| | | | | | | |
|----------------|--------|-----|------|--|------------------------|-------------------------|
| MAKING 閉路 | 250VAC | 24A | 0.6 | 15 CYCLES PER MINUTE 每分鐘 15 次 | 100 CYCLES 100 次 | ENEC17/NEMKO/ CB/CQC |
| BREAKING 開路 | | 16A | 0.95 | | | |

TEST AT ACCELERATED SPEED (加速測試)

| | | | | | | |
|----------------|--------|-----|------|--|--------------------------|-------------------------|
| MAKING 閉路 | 250VAC | 24A | 0.6 | 15 CYCLES PER MINUTE 每分鐘 15 次 | 9800 CYCLES 9800 次 | ENEC17/NEMKO/ CB/CQC |
| BREAKING 開路 | | 16A | 0.95 | | | |

7. TEMPERATURE TEST (溫升試驗) :

THE TEMPERATURE TEST SHOULD BE TAKEN AFTER ENDURANCE TEST WITH ITS RATED CURRENT AND VOLTAGE.

THE TEMPERATURE RISING SHALL NOT BE MORE THAN 55°C.

* 溫升測試應該於壽命測試結束後隨即測試，以同樣的電流與電壓量測，溫升值必須低於攝氏 55°。

8. MECHANICAL PERFORMANCE (機械性能):

8-1. OPERATION FORCE (操作力量): 500gf±200gf

A STATIC FORCE BEING APPLIED IN ONE DIRECTION ON THE TIP OF ACTUATOR.
PERFORMANCE AS PER INDIVIDUAL SPECIFICATIONS.

* 固定的力量運用於同一方向在柄的頂端，依照個別開關的特性實行。

8-2. STOPER STRENGTH (柄的強度):

(1) A STATIC LOAD OF 8 Kgf BEING APPLIED IN THE OPERATION DIRECTION FOR 15 SECONDS.

A STATIC LOAD OF 4 Kgf BEING APPLIED IN THE DIRECTION OF PULLING FOR 15 SECONDS.
THERE SHALL NOT BE ANY TROUBLES AS DEVIATION AND BENDING.

● 以 8Kgf 的力量，施壓 15 秒以及以 4Kgf 的力量，拉 15 秒。不可以有偏向與彎曲的情形

(2) ACTUATOR SWAY (操作部的晃動):

在操作部的前端，從在和操作部成 90 度，180 度相反方向施加 1N(102gf) 的操作力，柄晃動在 1.5mm 以內

8-3. SOLDERING (焊錫特性):

IMMERSE THE TERMINAL LEADS INTO MOLTEN SOLDER AT TEMPERATURE OF 230±5°C FOR 3±0.5 SECONDS. MORE THAN 75% OF PART IMMersed SHOULD BE COVERED WITH SOLDER.

* 端子浸入 230±5°C 溫度溶化的焊錫中 3±0.5 秒，75% 以上的部分應該被焊錫包覆。

8-4. TERMINAL STRENGTH (端子強度):

A STATIC FORCE OF 8.5 KGF BEING APPLIED IN ONE DIRECTION ON THE TIP OF THE TERMINAL FOR 1 MINUTE. THE TERMINAL MAY BE DEFORMED, BUT SHALL NOT SUSTAIN ANY TROUBLE AS DEVIATION AND BREAKING OF TERMINAL, AND BREAKING OF INSULATION MATERIAL.

* 施以固定 8.5Kgf 的力量於同一方向在端子的頂端一分鐘，端子允許變型，但是不可以有任何位移(偏向)與端子斷裂及絕緣材料的破裂。

8-5. SOLDERING HEAT RESISTANCE OF BASE (基座抗熱性):

TEMPERATURE AND DURATION OF DIPPING 焊錫溫度與持續時間

| TYPE OF TERMINAL 端子型式 | TEMPERATURE 溫度 | DIPPING TIME 焊錫時間 |
|-------------------------------------|-------------------|----------------------|
| TERMINAL FOR PCB WIRING * PCB 端子 | 260±5°C | 5 SECONDS Max. |
| TERMINAL FOR LEAD WIRING * 焊線端子 | 350±5°C | 5 SECONDS Max. |

THERE SHALL NOT BE EXTREME DEFORMING IN APPEARANCE.

ELECTRICAL PERFORMANCE OF THE ABOVE ITEM 3 SHALL BE ASSURED.

* 基座不可以有極度變形狀況發生。

* 上文第 3 項的電子性能應該被保證.

| REVISED DATE | DESCRIPTION | REVISED BY | FILE NO. | WRITE BY | CHECKED BY | APPROVED BY |
|--------------|-------------|------------|----------|-----------------|------------|-----------------|
| | | | SPEC-009 | 王凡 2015.7.24 | / | 唐彪 2015.7.24 |
| | | | VERSION | | | |
| | | | A 版 0 次 | | | |



产品认证证书

证书编号: CQC10002051908

申请人名称及地址

六钧电子有限公司
香港英皇道300号五洲大厦4楼M室

制造商名称及地址

东莞市六钧电子五金有限公司
广东省东莞市石碣镇石碣四村同德西路

生产企业名称及地址

东莞市六钧电子五金有限公司 (V013100)
广东省东莞市石碣镇石碣四村同德西路 (雅苑路60号)

产品名称和系列、规格、型号

按钮开关

MPS21系列 16(4)A 250V~ 50Hz T125/55 IE4 耐热3级 PT1175 插片端子 污染等级2 系列描述见附件

产品标准和技术要求

GB15092.1-2010

认证模式

产品型式试验+初次工厂检查+获证后监督

上述产品符合CQC11-462124-2009认证规则的要求, 特发此证。

发证日期: 2015年10月08日

证书有效期内本证书的有效性依据发证机构的定期监督获得保持。

本证书为变更证书, 证书首次颁发日期: 2010年11月16日



主任: _____

中国质量认证中心

中国·北京·南四环西路188号9区100070

<http://www.cqc.com.cn>

C 0074321

CB TEST CERTIFICATE CERTIFICAT D'ESSAI OCProduct
Produit

Switches

Name and address of the applicant
Nom et adresse du demandeurLegion Electronic Co., Ltd.
Room M,4/F., Continental Mansion, 300 King's Road
Hong KongName and address of the manufacturer
Nom et adresse du fabricantDong Guan Legion Electronic & Hardware Co., Ltd.
Yayuan Road, the first industrial zone, Four village, Shijie
townName and address of the factory
Nom et adresse de l'usineDongguan City, Guangdong Province
China
Dong Guan Legion Electronic & Hardware Co., Ltd.
Yayuan Road, the first industrial zone, Four village, Shijie
town
Dongguan City, Guangdong Province
China

Note: When more than one factory, please report on page 2

 Additional information on page 2

Note: Lorsque il y plus d'une usine, veuillez utiliser la deuxième page

Ratings and principal characteristics

16(4)A 125/250 VAC

Valeurs nominales et caractéristiques principales

Trademark (if any)

LEGION

Marque de fabrique (si elle existe)

Type of Manufacturer's Testing Laboratories used

Model / Type Ref.

MPS21 series

Ref. De type

Additional information (if necessary may also be reported on page 2)

Push-button switch for incorporation in class II appliances, circuit code 1.4, full disconnection, 5E4 cycles, Level 3, pollution degree 2, PT1175, T125/55, IP20, Tab terminals

Les informations complémentaires (si nécessaire, peuvent être indiqués sur la deuxième page

 Additional information on page 2

A sample of the product was tested and found to be in conformity with

IEC 61058-1 (ed.3);am 1;am2

Un échantillon de ce produit a été essayé et a été considéré conforme à la

As shown in the Test Report Ref. No. which forms part of this Certificate

285591

Comme indiqué dans le Rapport desais numéro de référence qui constitue partie de ce Certificat

This certificate replaces the certificate NO60225/M1, due to updating the manufacturer and factory information

This CB Test Certificate is issued by the National Certification Body

Ce Certificat desai OC est établi par l'Organisme National de Certification

Gautadalléen 30
NO-0373 Oslo, Norway

Date: 15-06-2015

Signature: Juan Z. Kleppenes
Certification Department

Licence for use of the here shown ENEC conformity mark :



Based on:

Agreement on the use of a commonly agreed Mark on Conformity for equipment complying with European Standards as of 12 November 1991 (in short ENEC Agreement), as revised latest by ENEC group April 16. 1997.

Nemko hereby grants the following manufacturer as licensee the right to affix this ENEC mark on the product(s) specified below.

| | |
|---|---|
| Product | Switches |
| Applicant | Legion Electronic Co., Ltd. Room M,4/F., Continental Mansion, 300 King's Road Hong Kong |
| Manufacturer | Dong Guan Legion Electronic & Hardware Co., Ltd. Yayuan Road, the first industrial zone, Four village,Shijie town Dongguan City, Guangdong Province China |
| Factory | Dong Guan Legion Electronic & Hardware Co., Ltd. Yayuan Road, the first industrial zone, Four village,Shijie town Dongguan City, Guangdong Province China <input type="checkbox"/> See next page(s) |
| Ratings | 16(4)A 125/250 VAC |
| Trade mark | LEGION |
| Model / Type Ref. | MPS21 series |
| Principal characteristics | Push-button switch for incorporation in class II appliances, circuit code 1.4, full disconnection, 5E4 cycles, Level 3, pollution degree 2, PT1175, T125/55, IP20, Tab terminals <input type="checkbox"/> See next page(s) |
| A sample of the product was tested and found to be in conformity with | INST EN 61058-1:2002;A2 |
| The conditions for this licence are that the ENEC-marked products conform with the applicable Standard(s) as stated in the Test Report with Order No: | 285591 |
| and that Articles 8 and 9 of the ENEC Agreement are fulfilled by the manufacturer. The mark signifies the compliance of the completed products with these conditions. Further information is given in the attached Annex, which forms an obligatory part of this licence document. This licence has been issued under the presumption and conditional on the fact that the licensee holds all necessary legal rights with regard to the product presented for testing and certification. | |
| Additional model(s) | <input type="checkbox"/> See next page(s) |

Date of issue 15-06-2015



Juan Z. Kleppenes

Certification Department

Nemko AS

Gaustadalleen 30, P.O. Box 73 Blindern, 0314 Oslo, Norway
 TEL +47 22 96 03 30 FAX +47 22 96 05 50 EMAIL info@nemko.com
 ENTERPRISE NUMBER NO974404532



CERTIFICATE

No. P10213218/A2



Order No. 285591

Page 1/1

| | |
|--|---|
| Product | Switches |
| Applicant | Legion Electronic Co., Ltd. Room M,4/F., Continental Mansion, 300 King's Road Hong Kong |
| Manufacturer | Dong Guan Legion Electronic & Hardware Co., Ltd. Yayuan Road, the first industrial zone, Four village,Shijie town Dongguan City, Guangdong Province China |
| Factory | Dong Guan Legion Electronic & Hardware Co., Ltd. Yayuan Road, the first industrial zone, Four village,Shijie town Dongguan City, Guangdong Province China <input type="checkbox"/> See next page(s) |
| Ratings | 16(4)A 125/250 VAC |
| Trade mark | LEGION |
| Model / Type Ref. | MPS21 series |
| Principal characteristics | Push-button switch for incorporation in class II appliances, circuit code 1.4, full disconnection, 5E4 cycles, Level 3, pollution degree 2, PTI175, T125/55, IP20, Tab terminals <input type="checkbox"/> See next page(s) |
| A sample of the product was tested and found to be in conformity with | INST EN 61058-1:2002;A2 |
| Replaces | This certificate replaces previous certificate No. P10213218/A1, due to updating the manufacturer and factory information |
| Validity | This certificate documents conformity with the standards shown, and also applies as license for use of Nemkos name and certification mark. The certificate and license is valid as long as the applicable conditions are complied with, and provided that any changes to the product are notified to Nemko for acceptance prior to implementation. New standards or amendments to the standards may imply that the product design must be updated and/or that re-testing and re-certification is necessary. <input type="checkbox"/> See next page(s) |
| Additional information | <input type="checkbox"/> See next page(s) |
| Additional model(s) | <input type="checkbox"/> See next page(s) |

Date of issue 15-06-2015

Juan Z. Kleppenes

Certification Department

Nemko AS

Gaustadalléen 30, P.O. Box 73 Blindern, 0314 Oslo, Norway
TEL +47 22 96 03 30 FAX +47 22 96 05 50 EMAIL info@nemko.com
ENTERPRISE NUMBER NO974404532



WOYR2.E153399

Switches, Appliance and Special Use - Component

For enhanced search functionality, please visit UL's iQ™ Family of Databases.
Click on a product designation for complete information.

Page Bottom

Switches, Appliance and Special Use - Component

See General Information for Switches, Appliance and Special Use - Component

LEGION ELECTRONIC CO LTD

Room M
4Th Fl, Continental Mansion
300 King's Rd
Hong Kong, HONG KONG

E153399

Investigated to ANSI/UL 1054

| Cat. No. | Amps | Volts | Hz | Load | Endurance | Temp C | POL/THR | Per Pole/Circuit Code | SPCOA |
|---|------|-------|-------|-------|-----------|--------|---------|-----------------------|------------------------|
| EPS11 | 10 | 125 | 60 | GP | 6K | 55 | 1/1 | -/- | - |
| | 10 | 250 | 60 | GP | 6K | | | | |
| | - | - | - | GP | - | | | | |
| | - | - | - | GP | - | | | | |
| EPS21 | 10 | 125 | 60 | GP | 6K | 55 | 2/1 | PP/D1 | - |
| | 10 | 250 | 60 | GP | 6K | | | | |
| | - | - | - | GP | - | | | | |
| | - | - | - | GP | - | | | | |
| FR01 f/b A1, A2 or A3, f/b F0 or F1, f/b L1 | | | | | | | | | |
| | 6 | 125 | 60 | GP | 6K | 65 | 1/M | -/- | Note 6(16 thru 20 AWG) |
| | 6 | 250 | 60 | GP | 6K | | | | |
| MFR01 f/b A1, f/b F or M, f/b 04, 05, 06, 07, 08, 09 or 10, f/b L1 | | | | | | | | | |
| | 8 | 125 | 60 | GP | 6K | 65 | 1/M | -/- | - |
| | 8 | 250 | 60 | GP | 6K | | | | |
| MPS11 | 16 | 125 | 60 | GP | 6K | 85 | 1/1 | PP/- | - |
| | 10 | 250 | 60 | GP | 6K | | | | |
| | 5 | 125 | 60 | TV | 25K | | | | |
| MPS21 f/b letter; f/b letter; f/b A or B; f/b Q; f/b M or Blank; f/b S or D; f/b -L or Blank; f/b 2 or Blank; f/b 2 or Blank; f/b -R or Blank) | | | | | | | | | |
| | 16 | 125 | 50/60 | GP | 6K | 65 | 2/1 | PP/D1 | Note 2 |
| | 16 | 250 | 50/60 | GP | 6K | | | | |
| | - | 125 | 50/60 | 3/4hp | 6K | | | | |
| | - | 250 | 50/60 | 3/4hp | 6K | | | | |
| OVS-1 f/b A, B, C or D | 12 | 125 | 60 | GP | 6K | 150 | M/M | PP/- | - |
| | 12 | 250 | 60 | GP | 6K | | | | |
| PS01-X-X-X | 3 | 250 | 60 | GP | 6K | 85 | 1/1 | -/A | - |
| | 6 | 125 | 60 | GP | 6K | | | | |

| | 6 | 125 | 60 | L | 6K | | |
|--|----|-----|-------|--------|----|----|--------------------|
| SS11, f/b Letters, Numbers or Blank, f/b Q or S, f/b -Letters, -Numbers or Blank, f/b 20 or 30, f/b -Letters, -Numbers or Blank . | | | | | | | |
| | 12 | 125 | 60 | GP | 6K | 65 | 1/1,2/2 -/A - |
| | 12 | 250 | 60 | GP | 6K | | |
| | 16 | 125 | 60 | GP | 6K | | |
| | 16 | 250 | 60 | GP | 6K | | |
| | 10 | 125 | 60 | GP | 6K | | |
| | 10 | 250 | 60 | GP | 6K | | |
| | 6 | 125 | 60 | GP | 6K | | |
| | 6 | 250 | 60 | GP | 6K | | |
| SS21, f/b suffixes | 10 | 125 | 60 | GP | 6K | 65 | 2/1 PP/C - |
| | 10 | 250 | 60 | GP | 6K | | |
| SS21, f/b suffixes, f/b -S | | | | | | | |
| | 10 | 125 | 60 | GP | 6K | 65 | 1/1 -/A - |
| | 10 | 250 | 60 | GP | 6K | | |
| SS24, f/b Letters, Numbers or Blank, f/b Q or S, f/b -Letters, -Numbers or Blank, f/b 40 or 60, f/b -Letters, -Numbers or Blank . | | | | | | | |
| | 12 | 125 | 60 | GP | 6K | 65 | 2/2 or 2/1 PP/D1 - |
| | 12 | 250 | 60 | GP | 6K | | |
| | 10 | 125 | 60 | GP | 6K | | |
| | 10 | 250 | 60 | GP | 6K | | |
| | 6 | 125 | 60 | GP | 6K | | |
| | 6 | 250 | 60 | GP | 6K | | |
| | 16 | 125 | 60 | GP | 6K | | |
| | 16 | 250 | 60 | GP | 6K | | |
| SS31 f/b letters; f/b Q, S or C; f/b R, F or L; f/b D; f/b 40, 41; f/b L or blank; f/b letters or numbers or blank. | | | | | | | |
| | 16 | 125 | 50/60 | GP | 6K | 65 | 2/1 PP/C 2,3 |
| | 16 | 250 | 50/60 | GP | 6K | | |
| | - | 125 | 50/60 | 3/4hps | 6K | | |
| | - | 250 | 50/60 | 3/4hps | 6K | | |
| SS31 f/b letters; f/b Q, S or C; f/b R, F or L; f/b D; f/b 60; f/b L or blank; f/b letters or numbers or blank. | | | | | | | |
| | 16 | 125 | 50/60 | GP | 6K | 65 | 2/2 PP/C 2, 3 |
| | 16 | 250 | 50/60 | GP | 6K | | |
| | - | 125 | 50/60 | 3/4hps | 6K | | |
| | - | 250 | 50/60 | 3/4hps | 6K | | |
| SS31 f/b letters; f/b Q, S or C; f/b R, F or L; f/b S; f/b 20 or 21; f/b L or blank; f/b letters or numbers or blank. | | | | | | | |
| | 16 | 125 | 50/60 | GP | 6K | 65 | 1/1 -/A 2, 3 |
| | 16 | 250 | 50/60 | GP | 6K | | |
| | - | 125 | 50/60 | 3/4hps | 6K | | |
| | - | 250 | 50/60 | 3/4hps | 6K | | |
| SS31 f/b letters; f/b Q, S or C; f/b R, F or L; f/b T; f/b 40, 41; f/b L or blank; f/b letters or numbers or blank. | | | | | | | |
| | 16 | 125 | 50/60 | GP | 6K | 65 | 2/1 PP/C 2,3 |
| | 16 | 250 | 50/60 | GP | 6K | | |
| | - | 125 | 50/60 | 3/4hps | 6K | | |
| | - | 250 | 50/60 | 3/4hps | 6K | | |
| SS31 f/b letters; f/b Q, S or C; f/b R, F or L; f/b T; f/b 60; f/b L or blank; f/b letters or numbers or blank. | | | | | | | |
| | 16 | 125 | 50/60 | GP | 6K | 65 | 2/2 PP/C 2, 3 |

| | | | | | | |
|---|-----|-------|-------|----|-----|---------|
| 16 | 250 | 50/60 | GP | 6K | | |
| - | 125 | 50/60 | 3/4hp | 6K | | |
| - | 250 | 50/60 | 3/4hp | 6K | | |
| SS31 f/b letters; f/b Q, S or C; f/b R, F; f/b S; f/b 30; f/b letters or numbers or blank. | | | | | | |
| 16 | 125 | 50/60 | GP | 6K | 1/2 | -/A 3 |
| 16 | 250 | 50/60 | GP | 6K | | |
| - | 125 | 50/60 | 3/4hp | 6K | | |
| - | 250 | 50/60 | 3/4hp | 6K | | |
| VS12 f/b M or H, f/b 11, 12 | | | | | | |
| 12 | 125 | 60 | GP | - | 65 | 1/M -/- |
| 12 | 250 | 60 | GP | - | | |
| 6 | 125 | 60 | GP | - | | |
| 3 | 250 | 60 | GP | - | | |
| 2 | 125 | 60 | GP | - | | |
| 1 | 250 | 60 | GP | - | | |
| VS34 f/b, M or H, f/b 11, 12, 21 or 22 | | | | | | |
| 12 | 125 | 60 | GP | - | 55 | M/M -/- |
| 12 | 250 | 60 | GP | - | | |

Note 2 - These are lighted switches employing a lamp. The usable lamp life has not been evaluated.

Note 6 - The switch employs push-in terminals. These have been evaluated for use with solid and solder dipped stranded conductors of a specified size (shown within parenthesis in AWG).



Marking: Company name or tradename "LEGION", catalog, model or part number, electrical ratings and the Recognized Component Mark, on the product or on the smallest unit container in which the product is packaged.

Last Updated on 2016-07-19

[Questions?](#)

[Print this page](#)

[Terms of Use](#)

[Page Top](#)

◆ 2016 UL LLC

The appearance of a company's name or product in this database does not in itself assure that products so identified have been manufactured under UL's Follow-Up Service. Only those products bearing the UL Mark should be considered to be Certified and covered under UL's Follow-Up Service. Always look for the Mark on the product.

UL permits the reproduction of the material contained in the Online Certification Directory subject to the following conditions: 1. The Guide Information, Assemblies, Constructions, Designs, Systems, and/or Certifications (files) must be presented in their entirety and in a non-misleading manner, without any manipulation of the data (or drawings); 2. The statement "Reprinted from the Online Certifications Directory with permission from UL" must appear adjacent to the extracted material. In addition, the reprinted material must include a copyright notice in the following format: "© 2016 UL LLC".



WOYR8.E153399

Switches, Appliance and Special Use Certified for Canada - Component

For enhanced search functionality, please visit UL's iQ™ Family of Databases.
Click on a product designation for complete information.

Page Bottom

Switches, Appliance and Special Use Certified for Canada - Component

See General Information for Switches, Appliance and Special Use Certified for Canada - Component

LEGION ELECTRONIC CO LTD

Room M
4Th Fl, Continental Mansion
300 King's Rd
Hong Kong, HONG KONG

E153399

Investigated to CSA-C22.2 No. 55


| Cat. No. | Amps | Volts | Hz | Load | Endurance | Temp C | POL/THR | Per Pole/Circuit Code | SPCOA |
|---|------|-------|-------|-------|-----------|--------|---------|-----------------------|------------------------|
| EPS11 | 10 | 125 | 60 | GP | 6K | 55 | 1/1 | -/- | - |
| | 10 | 250 | 60 | GP | 6K | | | | |
| | - | - | - | GP | - | | | | |
| | - | - | - | GP | - | | | | |
| EPS21 | 10 | 125 | 60 | GP | 6K | 55 | 2/1 | PP/D1 | - |
| | 10 | 250 | 60 | GP | 6K | | | | |
| | - | - | - | GP | - | | | | |
| | - | - | - | GP | - | | | | |
| FR01 f/b A1, A2 or A3, f/b F0 or F1, f/b L1 | | | | | | | | | |
| | 6 | 125 | 60 | GP | 6K | 65 | 1/M | -/- | Note 6(16 thru 20 AWG) |
| | 6 | 250 | 60 | GP | 6K | | | | |
| MFR01 f/b A1, f/b F or M, f/b 04, 05, 06, 07, 08, 09 or 10, f/b L1 | | | | | | | | | |
| | 8 | 125 | 60 | GP | 6K | 65 | 1/M | -/- | - |
| | 8 | 250 | 60 | GP | 6K | | | | |
| MPS11 | 16 | 125 | 60 | GP | 6K | 85 | 1/1 | PP/- | - |
| | 10 | 250 | 60 | GP | 6K | | | | |
| | 5 | 125 | 60 | TV | 25K | | | | |
| MPS21 f/b letter; f/b letter; f/b A or B; f/b Q; f/b M or Blank; f/b S or D; f/b -L or Blank; f/b 2 or Blank; f/b 2 or Blank; f/b -R or Blank) | | | | | | | | | |
| | 16 | 125 | 50/60 | GP | 6K | 65 | 2/1 | PP/D1 | Note 2 |
| | 16 | 250 | 50/60 | GP | 6K | | | | |
| | - | 125 | 50/60 | 3/4hp | 6K | | | | |
| | - | 250 | 50/60 | 3/4hp | 6K | | | | |
| OVS-1 f/b A, B, C or D | 12 | 125 | 60 | GP | 6K | 150 | M/M | PP/- | - |
| | 12 | 250 | 60 | GP | 6K | | | | |
| PS01-X-X-X | 3 | 250 | 60 | GP | 6K | 85 | 1/1 | -/A | - |
| | 6 | 125 | 60 | GP | 6K | | | | |

| | 6 | 125 | 60 | L | 6K | | |
|--|----|-----|-------|--------|----|----|--------------------|
| SS11, f/b Letters, Numbers or Blank, f/b Q or S, f/b -Letters, -Numbers or Blank, f/b 20 or 30, f/b -Letters, -Numbers or Blank . | | | | | | | |
| | 12 | 125 | 60 | GP | 6K | 65 | 1/1,2/2 -/A - |
| | 12 | 250 | 60 | GP | 6K | | |
| | 16 | 125 | 60 | GP | 6K | | |
| | 16 | 250 | 60 | GP | 6K | | |
| | 10 | 125 | 60 | GP | 6K | | |
| | 10 | 250 | 60 | GP | 6K | | |
| | 6 | 125 | 60 | GP | 6K | | |
| | 6 | 250 | 60 | GP | 6K | | |
| SS21, f/b suffixes | 10 | 125 | 60 | GP | 6K | 65 | 2/1 PP/C - |
| | 10 | 250 | 60 | GP | 6K | | |
| SS21, f/b suffixes, f/b -S | | | | | | | |
| | 10 | 125 | 60 | GP | 6K | 65 | 1/1 -/A - |
| | 10 | 250 | 60 | GP | 6K | | |
| SS24, f/b Letters, Numbers or Blank, f/b Q or S, f/b -Letters, -Numbers or Blank, f/b 40 or 60, f/b -Letters, -Numbers or Blank . | | | | | | | |
| | 12 | 125 | 60 | GP | 6K | 65 | 2/2 or 2/1 PP/D1 - |
| | 12 | 250 | 60 | GP | 6K | | |
| | 10 | 125 | 60 | GP | 6K | | |
| | 10 | 250 | 60 | GP | 6K | | |
| | 6 | 125 | 60 | GP | 6K | | |
| | 6 | 250 | 60 | GP | 6K | | |
| | 16 | 125 | 60 | GP | 6K | | |
| | 16 | 250 | 60 | GP | 6K | | |
| SS31 f/b letters; f/b Q, S or C; f/b R, F or L; f/b D; f/b 40, 41; f/b L or blank; f/b letters or numbers or blank. | | | | | | | |
| | 16 | 125 | 50/60 | GP | 6K | 65 | 2/1 PP/C 2,3 |
| | 16 | 250 | 50/60 | GP | 6K | | |
| | - | 125 | 50/60 | 3/4hpb | 6K | | |
| | - | 250 | 50/60 | 3/4hpb | 6K | | |
| SS31 f/b letters; f/b Q, S or C; f/b R, F or L; f/b D; f/b 60; f/b L or blank; f/b letters or numbers or blank. | | | | | | | |
| | 16 | 125 | 50/60 | GP | 6K | 65 | 2/2 PP/C 2, 3 |
| | 16 | 250 | 50/60 | GP | 6K | | |
| | - | 125 | 50/60 | 3/4hpb | 6K | | |
| | - | 250 | 50/60 | 3/4hpb | 6K | | |
| SS31 f/b letters; f/b Q, S or C; f/b R, F or L; f/b S; f/b 20 or 21; f/b L or blank; f/b letters or numbers or blank. | | | | | | | |
| | 16 | 125 | 50/60 | GP | 6K | 65 | 1/1 -/A 2, 3 |
| | 16 | 250 | 50/60 | GP | 6K | | |
| | - | 125 | 50/60 | 3/4hpb | 6K | | |
| | - | 250 | 50/60 | 3/4hpb | 6K | | |
| SS31 f/b letters; f/b Q, S or C; f/b R, F or L; f/b T; f/b 40, 41; f/b L or blank; f/b letters or numbers or blank. | | | | | | | |
| | 16 | 125 | 50/60 | GP | 6K | 65 | 2/1 PP/C 2,3 |
| | 16 | 250 | 50/60 | GP | 6K | | |
| | - | 125 | 50/60 | 3/4hpb | 6K | | |
| | - | 250 | 50/60 | 3/4hpb | 6K | | |
| SS31 f/b letters; f/b Q, S or C; f/b R, F or L; f/b T; f/b 60; f/b L or blank; f/b letters or numbers or blank. | | | | | | | |
| | 16 | 125 | 50/60 | GP | 6K | 65 | 2/2 PP/C 2, 3 |

| | | | | | | | | |
|---|----|-----|-------|-------|----|-----|-----|---|
| | 16 | 250 | 50/60 | GP | 6K | | | |
| | - | 125 | 50/60 | 3/4hp | 6K | | | |
| | - | 250 | 50/60 | 3/4hp | 6K | | | |
| SS31 f/b letters; f/b Q, S or C; f/b R, F; f/b S; f/b 30; f/b letters or numbers or blank. | | | | | | | | |
| | 16 | 125 | 50/60 | GP | 6K | 1/2 | -/A | 3 |
| | 16 | 250 | 50/60 | GP | 6K | | | |
| | - | 125 | 50/60 | 3/4hp | 6K | | | |
| | - | 250 | 50/60 | 3/4hp | 6K | | | |
| VS12 f/b M or H, f/b 11, 12 | | | | | | | | |
| | 12 | 125 | 60 | GP | - | 65 | 1/M | - |
| | 12 | 250 | 60 | GP | - | | | |
| | 6 | 125 | 60 | GP | - | | | |
| | 3 | 250 | 60 | GP | - | | | |
| | 2 | 125 | 60 | GP | - | | | |
| | 1 | 250 | 60 | GP | - | | | |
| VS34 f/b, M or H, f/b 11, 12, 21 or 22 | | | | | | | | |
| | 12 | 125 | 60 | GP | - | 55 | M/M | - |
| | 12 | 250 | 60 | GP | - | | | |

Note 2 - These are lighted switches employing a lamp. The usable lamp life has not been evaluated.

Note 6 - The switch employs push-in terminals. These have been evaluated for use with solid and solder dipped stranded conductors of a specified size (shown within parenthesis in AWG).

Marking: Company name or tradename "LEGION", catalog, model or part number, electrical ratings and the Recognized Component Mark for Canada,  on the product or on the smallest unit container in which the product is packaged.

Last Updated on 2016-07-19

Questions?

[Print this page](#)

[Terms of Use](#)

[Page Top](#)

◆ 2016 UL LLC

The appearance of a company's name or product in this database does not in itself assure that products so identified have been manufactured under UL's Follow-Up Service. Only those products bearing the UL Mark should be considered to be Certified and covered under UL's Follow-Up Service. Always look for the Mark on the product.

UL permits the reproduction of the material contained in the Online Certification Directory subject to the following conditions: 1. The Guide Information, Assemblies, Constructions, Designs, Systems, and/or Certifications (files) must be presented in their entirety and in a non-misleading manner, without any manipulation of the data (or drawings). 2. The statement "Reprinted from the Online Certifications Directory with permission from UL" must appear adjacent to the extracted material. In addition, the reprinted material must include a copyright notice in the following format: "© 2016 UL LLC".

X-ON Electronics

Largest Supplier of Electrical and Electronic Components

Click to view similar products for [Pushbutton Switches](#) category:

Click to view products by [Legion](#) manufacturer:

Other Similar products are found below :

[8971K1133](#) [LW1L-M1C10V-A](#) [LW2L-M1C20M-A](#) [M22-D-R-GB0/K11](#) [67081K512X](#) [701PB580](#) [7199K101](#) [810K12910](#) [810KSV30B](#)
[FLT 2U EE 01A](#) [MML21EA2ADK](#) [MML21KA3ABK](#) [MML23KA3AC05K-001](#) [MML23KW3AA01W](#) [8418K2](#) [8442K2](#) [8442K3](#) [8450K1](#)
[860K11911T01A](#) [861901](#) [861K11911T01A07](#) [861K13810T00A14](#) [861K13911](#) [8646AB6X718UL](#) [8646ABUL](#) [9001KXRK](#)
[9533CD4+U574+U4922](#) [95-414.000](#) [99-453.837](#) [PV3H2B0NN-341](#) [A22NZBGANGA](#) [A22NZBMMNGA](#) [A22NZBNANGA](#)
[A22NZMPATRA](#) [A2PMA1X03EC56](#) [A3A-7310](#) [A3A-7340](#) [A3U-TMW-A2C-5M](#) [12037A2ULCSA](#) [1203A2UL](#) [ABGW410-R](#) [ABN400-R](#)
[121382](#) [1213C3](#) [HE3B-M2](#) [121194](#) [1212MRA](#) [1232A6NF](#) [1241.1183.7047](#) [121489](#)