

1

2

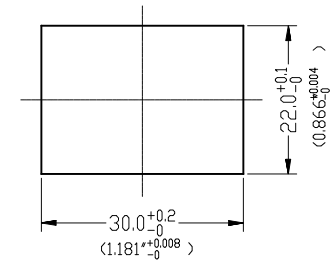
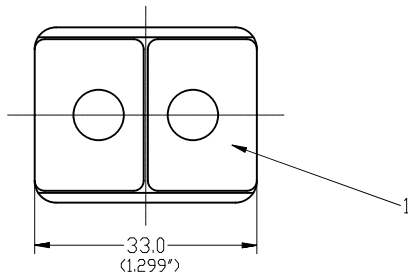
3

4

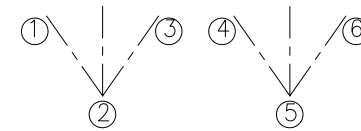
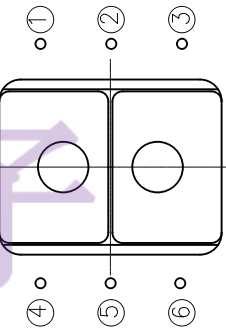
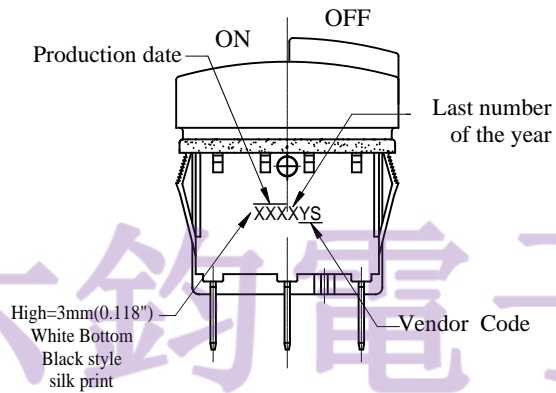
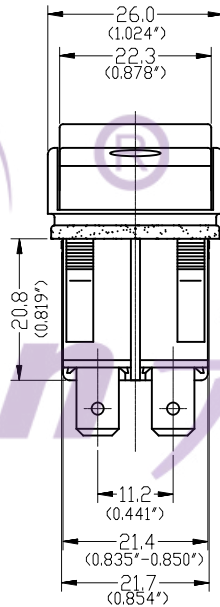
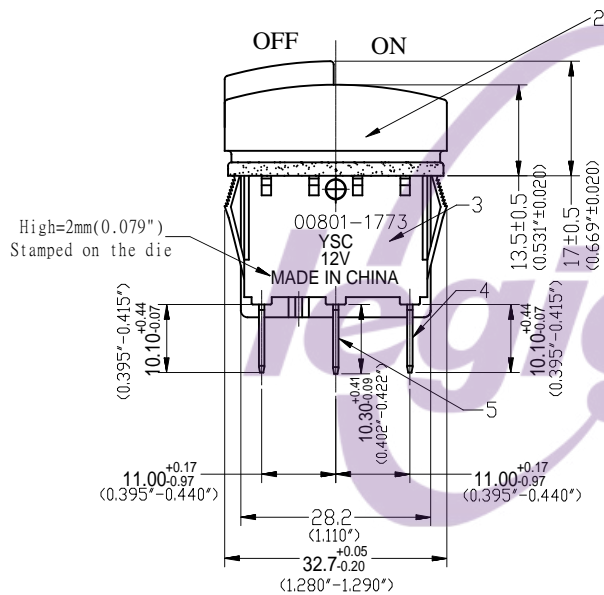
5

6

ZONE	REV.	DESCRIPTION	APPROVED	DATE
	B	2007ECR/N0148		
	C	2015ECR/N0039		2015-09-16



PANEL CUT OUT



CIRCUIT: DPDT

## SPECIFICATIONS:

Rating: DC 12V 2.7A (Inrush Current 16A)  
 Maximum Snap-in Mounting Force: 18Lbs (8.2kg)  
 Button Depression Force: 2.0Lbs (228~912g)  
 Cycle life single: 130,000 cycles 0.65s ON/0.65s OFF

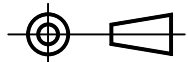
9	MOVABLE SPRING HOLDER	NYLON66	1	BLACK
8	CONTACTOR	AgSnO2	8	NATURAL
7	SPRING	SWPB	2	NI PLATED
6	CONTACT BRIDGE	BRASS	2	Ag PLATED
5	CENTER TERMINAL	BRASS	2	Ag PLATED
4	EDGE TERMINAL	BRASS	4	Ag PLATED
3	HOUSING	NYLON66	1	BLACK
2	COVER	NYLON66	1	BLACK
1	PLASTIC KNOB	NYLON66	2	WHITE
NO.	PART NAME	MATERIAL	QTY.	FINISHING

TOLERANCES UNLESS OTHERWISE STATED

DO NOT SCALE THIS DRAWING

DIMENSIONAL ±0.2  
ANGULAR ±3°

PROJECTION



DRAWN CHECKED APPROVED

东莞市六钧电子五金有限公司

TITLE: ROCKER SWITCH

MODEL: PS2238-N3X00FP040NW

P/N

DATE: 2015-09-16

REV. C

UNIT: mm

SCALE:

SIZE: A4

## X-ON Electronics

Largest Supplier of Electrical and Electronic Components

*Click to view similar products for [Rocker Switches](#) category:*

*Click to view products by [Legion](#) manufacturer:*

Other Similar products are found below :

[LTILA6E-1S-WH-RC-FN12VXCR1](#) [6-1571986-9](#) [8007K26N324V52](#) [8055K23Z7V](#) [8055K32Z7V](#) [8055K52Z7V](#) [8138K20E6M50](#)  
[PREDD4-07F-BB0FW](#) [PREDD5-07F-BB0GW](#) [999-16716-002](#) [A101J1V3Q004](#) [A103J1ZQ004](#) [A201J1AQ004](#) [A201J50ZQ004](#)  
[H8653VBBG2577W](#) [HB130CHNWWNAAC](#) [R13112ABB-602W](#) [1251.0303](#) [1352.0107](#) [1500G51E](#) [1571099-3](#) [1571987-4](#) [1571987-5](#)  
[1571988-5](#) [B123J77V7B2](#) [160212E](#) [1634200-7](#) [1801.1164](#) [PANEL-PLUG-VHP-BLACK](#) [PANEL-PLUG-VHP-WT](#) [K2ABAAAAAA](#)  
[250011E714](#) [2600R21E](#) [260413E](#) [2639LH/2A7/127000L0](#) [LL3AZXX-100-XGT1](#) [LL3AZXX-100-XHS1](#) [LL3AZXX-100-XSD1](#) [30-695B](#)  
[160311E](#) [A103J3ZQ004](#) [A201J61ZQ0004](#) [1852.1102](#) [1890.1104](#) [191.081.011](#) [AE107J1AQ004](#) [1935.3128](#) [1935.3133](#) [1MR7-B](#)  
[SY236CD6U622](#)