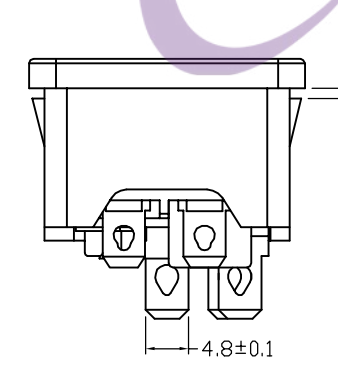
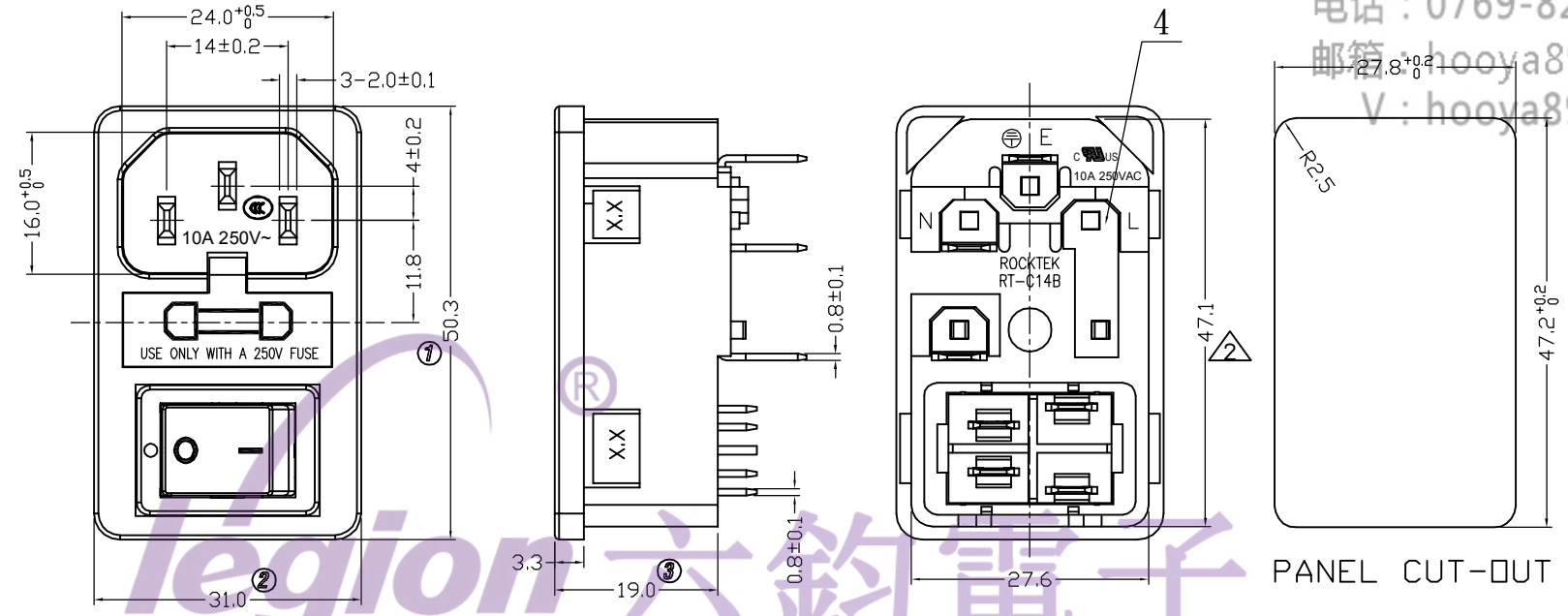


电话 : 0769-82310511-867
 邮箱 : hooya89@hooya.hk
 V : hooya89



④ 面板厚度X.X^{+0.2}

| 品名 | X.X |
|-----------------------|-------|
| RT-C14B-D1+SS21-1BB | 0.8mm |
| RT-C14B-D2+SS21-1BB | 1.0mm |
| RT-C14B-D3+SS21-1BB | 1.5mm |
| RT-C14B-D4+SS21-1BB | 2.0mm |
| RT-C14B-D5+SS21-1BB | 3.0mm |
| ① RT-C14B-D6+SS21-1BB | 1.2mm |

Socket : RT-C14B-D**-13-R
 1. Rating : 10A 250VAC (CCC ; UL ; CUL)
 2. Insulation resistance : >100MΩ Min 500VDC
 3. Withstand voltage : >2000VAC 0.5mA 1 minute
 Switch : SS21-BBIWG-R
 1. Rating : 10A 125/250VAC (UL ; CUL)
 12(4)A 250V~ (ENEC17 ; NEMKO ; CQC ; KC)
 2. Contact resistance : <50mΩ
 3. Insulation resistance : >100MΩ Min 500VDC
 4. Dielectric strength : >1500VAC 0.5mA 1 minute

| NO | DESCRIPTION | NO | DESCRIPTION | ANGLES | ±1' | DIMENSIONAL TOLERANCES | | | | APPROVED | CHECKED | DESIGN | DRAWN | ALL SIZE ARE IN | MM | | DRAWING NO. | REV. |
|----------------|----------------------|----------------|-------------|------------------------|-----|------------------------|---------|---|-------|---------------------|---------|---------------------|-------|-----------------|----|----|-------------|------|
| | | RANGE | | TOLERANCE | | | | | | | | SCALE | NO | | | | | |
| | | X | | ±0.30 | | | | | | | | MAT'L | *** | | | | | |
| | | X.X | | ±0.20 | | | | | | | | MATERIAL NO. | | | | | | |
| | | X.XX | | ±0.10 | | | | | | | | RT-C14B-D*+SS21-1BB | | | | | | |
| ⑤ | → | ⑩ | → | DIMENSIONAL TOLERANCES | | APPROVED | CHECKED | DESIGN | DRAWN | ALL SIZE ARE IN | MM | LMC 2019.05.20 | | WIF119053 | | A2 | | |
| ④ | → | ⑨ | → | RANGE | | | | | | SCALE | NO | | | | | | | |
| ③ | → | ⑧ | → | X | | | | | | MAT'L | *** | | | | | | | |
| ② | 47.3 → 47.1 20.12.17 | ⑦ | → | X.X | | | | | | MATERIAL NO. | | | | | | | | |
| ① | 增加1.2面板厚度 20200330 | ⑥ | → | X.XX | | | | | | RT-C14B-D*+SS21-1BB | | | | | | | | |
| NO DESCRIPTION | | NO DESCRIPTION | | ANGLES | | ±1' | | LEGIION ELECTRONIC & HARDWARE CO., LTD. | | | | DRAWING NO. | | REV. | | | | |

X-ON Electronics

Largest Supplier of Electrical and Electronic Components

Click to view similar products for [Rocker Switches](#) category:

Click to view products by [Legion](#) manufacturer:

Other Similar products are found below :

[LTILA6E-1S-WH-RC-FN12VXCR1](#) [6-1571986-9](#) [8007K26N324V52](#) [8055K23Z7V](#) [8055K32Z7V](#) [8055K52Z7V](#) [8138K20E6M50](#)
[PREDD4-07F-BB0FW](#) [PREDD5-07F-BB0GW](#) [999-16716-002](#) [A101J1V3Q004](#) [A103J1ZQ004](#) [A201J1AQ004](#) [A201J50ZQ004](#)
[H8653VBBG2577W](#) [HB130CHNWWNAAC](#) [R13112ABB-602W](#) [1251.0303](#) [1352.0107](#) [1500G51E](#) [1571099-3](#) [1571987-4](#) [1571987-5](#)
[1571988-5](#) [B123J77V7B2](#) [160212E](#) [1634200-7](#) [1801.1164](#) [PANEL-PLUG-VHP-BLACK](#) [PANEL-PLUG-VHP-WT](#) [K2ABAAAAAA](#)
[250011E714](#) [2600R21E](#) [260413E](#) [2639LH/2A7/127000L0](#) [LL3AZXX-100-XGT1](#) [LL3AZXX-100-XHS1](#) [LL3AZXX-100-XSD1](#) [30-695B](#)
[160311E](#) [A103J3ZQ004](#) [A201J61ZQ0004](#) [1852.1102](#) [1890.1104](#) [191.081.011](#) [AE107J1AQ004](#) [1935.3128](#) [1935.3133](#) [1MR7-B](#)
[SY236CD6U622](#)