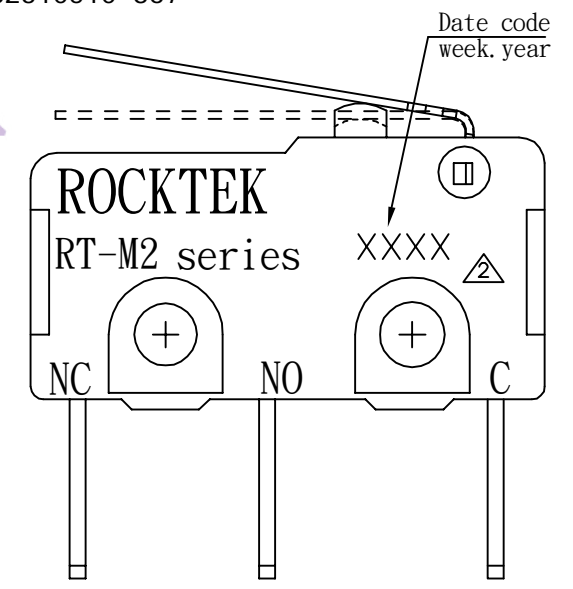
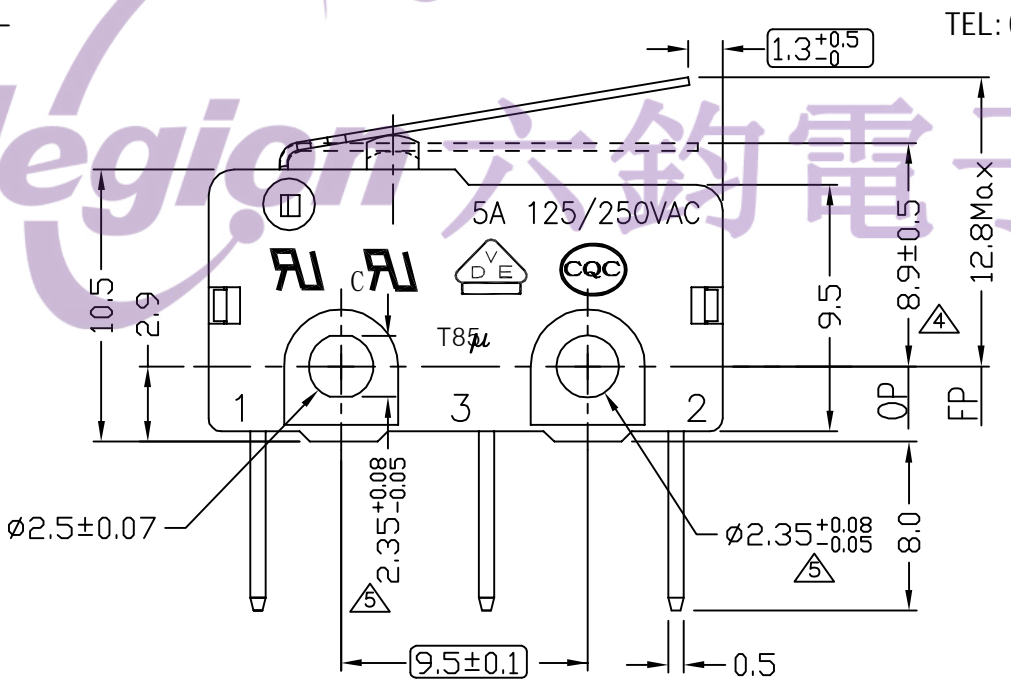
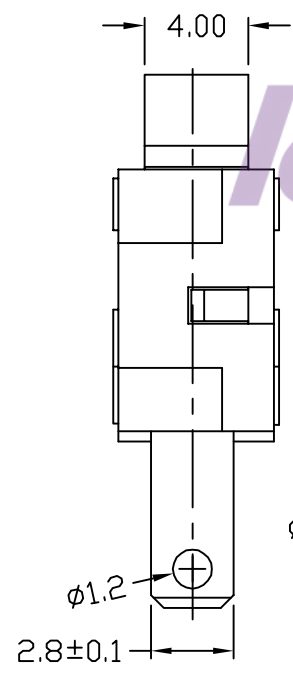


- NOTES:
 1. " " DENOTES CRITICAL DIMENSIONS.
 2. RATING: 5A 125/250VAC.
 3. OPERATING FORCE: 0.98N (100GF) MAX. $\triangle 6$
 RELEASE FORCE: 0.06N (6GF) MIN.
 4. ELECTRICAL LIFE: 15200 MIN, AT FULL STROKE.
 5. CONTACT RESISTANCE: <math>< 50m\Omega</math>
 6. INSULATION RESISTANCE: > 100M Ω (500VDC BETWEEN OPEN CONTACTS)
 7. DIELECTRIC STRENGTH: > 1500Vac 0.5mA 1 MINUTE
 8. COLOR: BLACK. 9. TERMINA: ACCORD THE UL310 STANDAND.
 10. COMPLY WITH THE REQUIEMENTS OF THE EU DIRECTION 2002/GS/EC ROHS AND SUBSEQUENT AMENDMENTS.
 11. UL FILE NO.: E300970.

TEL: 0769-82310510-867



$\triangle 5$	9.0(MIN) → 8.9±0.5	$\triangle 10$	→	DIMENSIONAL TOLERANCES		APPROVED	CHECKED	DESIGN	DRAWN	ALL SIZE ARE IN	MM	
$\triangle 4$	add notes	$\triangle 9$	→	RANGE	TOLERANCE			LMC	simon	SCALE	FIT	
$\triangle 3$	add notes	$\triangle 8$	→	X	±0.4					MAT'L	***	
$\triangle 2$	add Date code	$\triangle 7$	→	X.X	±0.3					MATERIAL NO.	DRAWING NO.	REV
$\triangle 1$	8.8±0.8 → 9.0(MIN)	$\triangle 6$	→	X.XX	±0.2					RTM2-1CNL05A200 D/C	WIF108032	E
NO	DESCRIPTION	NO	DESCRIPTION	ANGLES	±0.5°	ROCK TEK ELECTRICAL(SHENZHEN) CO.,LTD.						

X-ON Electronics

Largest Supplier of Electrical and Electronic Components

Click to view similar products for [Basic / Snap Action Switches](#) category:

Click to view products by [Legion](#) manufacturer:

Other Similar products are found below :

[5SM901-S12](#) [5SM9-S12N195](#) [602EN532](#) [602EN535-RB](#) [602HE5-RB1](#) [604HE223-6B](#) [624HE17-RB](#) [6HM82](#) [6SE1](#) [6SX1-H58](#) [71051](#) [714-0293](#) [MBH2731](#) [79211923](#) [79218589](#) [MIL30126AB6BBMD4A12XAU](#) [ML-1155](#) [ML-1376](#) [831010C3.0](#) [831090C2.EL](#) [83131904](#) [84212012](#) [8AS239](#) [8HM73-3](#) [8SX26-H33](#) [914CE1-6G](#) [11SM1077-H4](#) [11SM1077-H58](#) [11SM1-TN107](#) [11SM405](#) [11SM703-T](#) [11SM8423-H2](#) [11SX37-T](#) [11SX48-H58](#) [11SM2442-T](#) [11SM76-T](#) [11SM77-H58](#) [11SM77-T](#) [11SM863-T](#) [11SM866](#) [121EN188-R](#) [1245.0120](#) [125EN56-RB](#) [D433V3RD](#) [1267.0101](#) [1267.7101](#) [D4BFC1](#) [12SM4-T2](#) [12SX2-T2](#) [1298.0101](#)