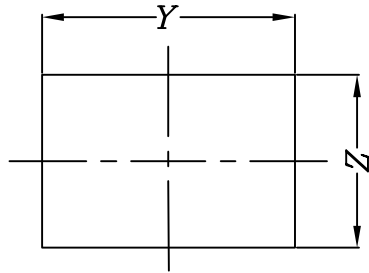


NOTES:

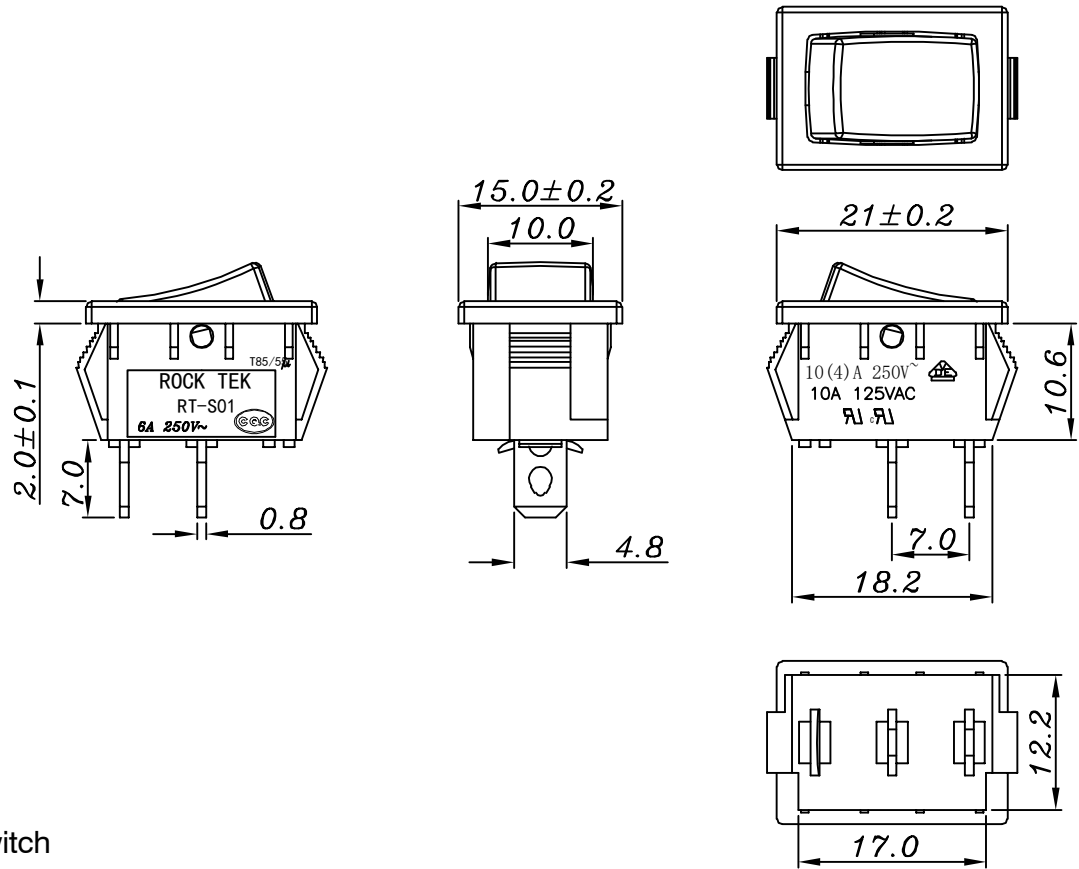
- 1.Circuit: ON/OFF
- 2.Operation force: 500±200gf
- 3.Electrocal rating:10(4)A 250V~
10A 125VAC
6A 250V~
- 4.Contact resistance:<30mΩ
- 5.Insulation resistance:>100MΩ(500VDC
between open contacts)
- 6.Dielectric strength:>1500VAC 0.5mA 1 minute
- 7.Color: cover is black, body is black.

Panel cut - out:

X	Dim.Y	Dim.Z
0.75~1.25mm	19.20+0.1/-0	12.80+0.1/-0
1.25~2.0mm	19.30+0.1/-0	12.80+0.1/-0



Circuit of Switch



NO	DESCRIPTION	NO	DESCRIPTION	ANGLES	TOLERANCE	APPROVED	CHECKED	DESIGN	DRAWN	ALL SIZE ARE IN	MM	DRAWING NO. REV.	
5	→	10	→		DIMENSIONAL TOLERANCES					SCALE	NO		
4	→	9	→		RANGE					MAT'L	***		
3	→	8	→	X	±0.30				LMC	MATERIAL NO.			
2	→	7	→	X.X	±0.20				2019.05.20				
1	→	6	→	X.XX	±0.10								
				±1'		ROCKTEK ELECTRICAL(SHENZHEN) CO.,LTD.				RT-S01-113-L1NB1B	*****	AO	

X-ON Electronics

Largest Supplier of Electrical and Electronic Components

Click to view similar products for [Rocker Switches](#) category:

Click to view products by [Legion](#) manufacturer:

Other Similar products are found below :

[LTILA6E-1S-WH-RC-FN12VXCR1](#) [6-1571986-9](#) [8007K26N324V52](#) [8055K23Z7V](#) [8055K32Z7V](#) [8055K52Z7V](#) [8138K20E6M50](#)
[PREDD4-07F-BB0FW](#) [PREDD5-07F-BB0GW](#) [999-16716-002](#) [A101J1V3Q004](#) [A103J1ZQ004](#) [A201J1AQ004](#) [A201J50ZQ004](#)
[H8653VBBG2577W](#) [HB130CHNWWNAAC](#) [R13112ABB-602W](#) [1251.0303](#) [1352.0107](#) [1500G51E](#) [1571099-3](#) [1571987-4](#) [1571987-5](#)
[1571988-5](#) [B123J77V7B2](#) [160212E](#) [1634200-7](#) [1801.1164](#) [PANEL-PLUG-VHP-BLACK](#) [PANEL-PLUG-VHP-WT](#) [K2ABAAAAAA](#)
[250011E714](#) [2600R21E](#) [260413E](#) [2639LH/2A7/127000L0](#) [LL3AZXX-100-XGT1](#) [LL3AZXX-100-XHS1](#) [LL3AZXX-100-XSD1](#) [30-695B](#)
[160311E](#) [A103J3ZQ004](#) [A201J61ZQ0004](#) [1852.1102](#) [1890.1104](#) [191.081.011](#) [AE107J1AQ004](#) [1935.3128](#) [1935.3133](#) [1MR7-B](#)
[SY236CD6U622](#)