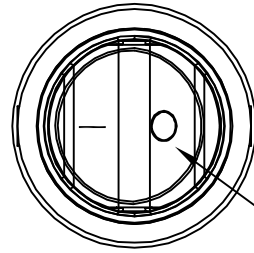
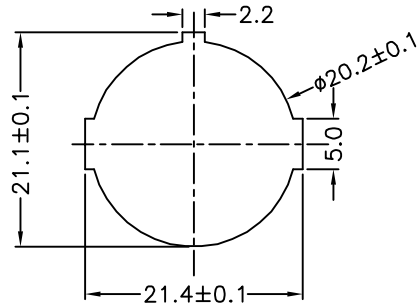


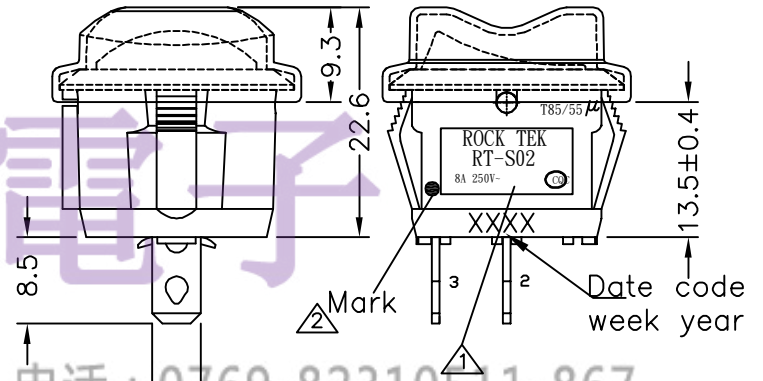
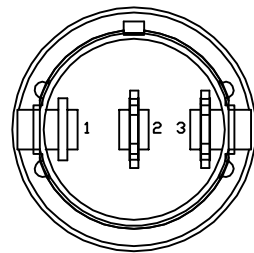
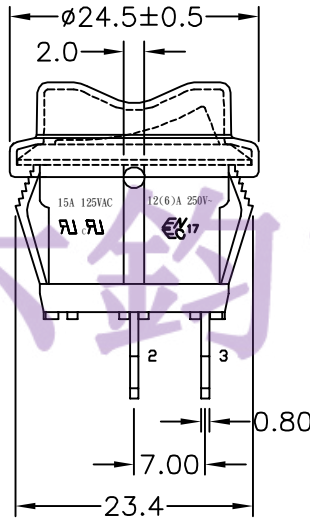
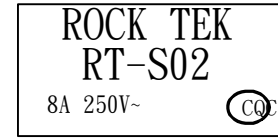
NOTES:

- 1.Circuit:ON/OFF
- 2.Operation force:500±200gf
- 3.Electrical rating:15A 125VAC
8A 250VAC
12(6)A 250V~
- 4.Contact resistance:<30mΩ
- 5.Insulation resistance:>1000MΩ(500VDC
between open contacts)
- 6.Dielectric strength:>1500Vac 0.5mA 1 minute
- 7.Color: cover is black of fog, body is black.
- 8.Comply with the requirements of the EU directive
2002/95/EC RoHs and subsequent amendments.
- 9.Life:The switch can satisfy the test standard
of BPT0001 and life requirement of all
the products.
- 10.Terminal:#187 TAB Terminal,accord the
UL310 standard.
- 11.Satisfy the test requirement of PST-11,switch
impact.
- 12.UL file NO:E300970
- 13.Waterproof cap Material PVC GM5075,
△ Yellow card:E96789
- 14.Waterproof cap hardness:40°±10°

Panel cut out(Thickness: 1.54±0.1)

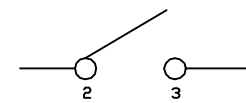


Marking:



电话: 0769-82310511-867
 邮箱: hooya89@hooya.hk
 V: hooya89

Circuit of Switch



NO	DESCRIPTION	NO	DESCRIPTION	ANGLES	±0.5°	LEGION ELECTRONIC & HARDWARE CO., LTD.				RT-S02-117-R4NBB3C DC		WIF110002		B
5	→	10	→	DIMENSIONAL TOLERANCES		APPROVED	CHECKED	DESIGN	DRAWN	ALL SIZE ARE IN MM		DRAWING NO.		REV
4	→	9	→	RANGE	TOLERANCE					SCALE	FIT	DRAWING NO.		REV
3	增加说明	8	→	X	±0.4					MAT'L	***	DRAWING NO.		REV
2	Mark	7	→	X.X	±0.3					MATERIAL NO.		DRAWING NO.		REV
1	ENEC取代VDE10年12月執行	6	→	X.XX	±0.2							DRAWING NO.		REV

4

3

2

1

X-ON Electronics

Largest Supplier of Electrical and Electronic Components

Click to view similar products for [Rocker Switches](#) category:

Click to view products by [Legion](#) manufacturer:

Other Similar products are found below :

[LTILA6E-1S-WH-RC-FN12VXCR1](#) [6-1571986-9](#) [8007K26N324V52](#) [8055K23Z7V](#) [8055K32Z7V](#) [8055K52Z7V](#) [8138K20E6M50](#)
[PREDD4-07F-BB0FW](#) [PREDD5-07F-BB0GW](#) [999-16716-002](#) [A101J1V3Q004](#) [A103J1ZQ004](#) [A201J1AQ004](#) [A201J50ZQ004](#)
[H8653VBBG2577W](#) [HB130CHNWWNAAC](#) [R13112ABB-602W](#) [1251.0303](#) [1352.0107](#) [1500G51E](#) [1571099-3](#) [1571987-4](#) [1571987-5](#)
[1571988-5](#) [B123J77V7B2](#) [160212E](#) [1634200-7](#) [1801.1164](#) [PANEL-PLUG-VHP-BLACK](#) [PANEL-PLUG-VHP-WT](#) [K2ABAAAAAA](#)
[250011E714](#) [2600R21E](#) [260413E](#) [2639LH/2A7/127000L0](#) [LL3AZXX-100-XGT1](#) [LL3AZXX-100-XHS1](#) [LL3AZXX-100-XSD1](#) [30-695B](#)
[160311E](#) [A103J3ZQ004](#) [A201J61ZQ0004](#) [1852.1102](#) [1890.1104](#) [191.081.011](#) [AE107J1AQ004](#) [1935.3128](#) [1935.3133](#) [1MR7-B](#)
[SY236CD6U622](#)