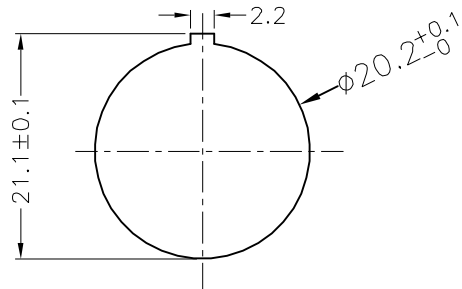


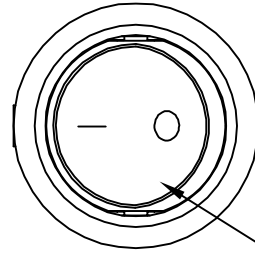
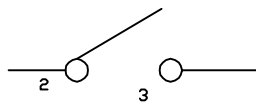
NOTES:

- 1.Circuit:ON/OFF
- 2.Operation force:500±200gf
- 3.Electrical rating:15A 125VAC
8A 250VAC
12(6)A 250V~
- 4.Contact resistance:<30mΩ
- 5.Insulation resistance:>1000MΩ(500VDC between open contacts)
- 6.Dielectric strength:>1500V 1 minute
- 7.Color: cover is black, body is black.

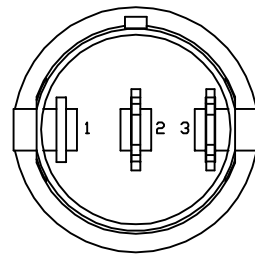
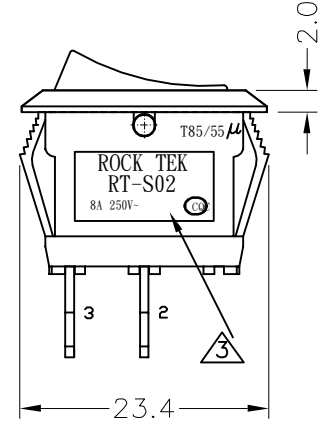
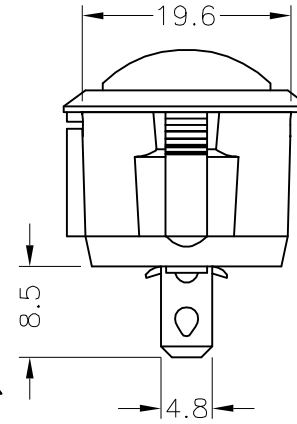
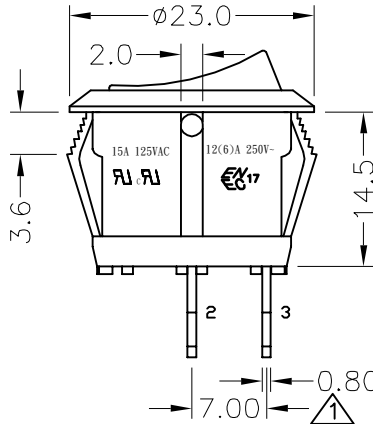
Panel cut out(Thickness: 3mm Max)



Circuit of Switch



雾面黑色上盖



5	→	10	→	DIMENSIONAL TOLERANCES		APPROVED	CHECKED	DESIGN	DRAWN	ALL SIZE ARE IN	MM		
4	→	9	→	RANGE	TOLERANCE					SCALE	FIT		
3	取消VDE	8	→	X	±0.4				SIMON 2008.07.01	MAT'L	***	DRAWING NO. REV	
2	公差變更	7	→	X.X	±0.3					MATERIAL NO.			
1	公差變更	6	→	X.XX	±0.2							RT-S02-117-RANBB WIF108017 C	
NO	DESCRIPTION	NO	DESCRIPTION	ANGLES	±0.5°	ROCK TEK ELECTRICAL(SHENZHEN) CO.,LTD.							

X-ON Electronics

Largest Supplier of Electrical and Electronic Components

Click to view similar products for [Rocker Switches](#) category:

Click to view products by [Legion](#) manufacturer:

Other Similar products are found below :

[LTI LA6E-1S-WH-RC-FN12VXCR1](#) [6-1571986-9](#) [8007K26N324V52](#) [8055K23Z7V](#) [8055K32Z7V](#) [8055K52Z7V](#) [8138K20E6M50](#)
[PREDD4-07F-BB0FW](#) [PREDD5-07F-BB0GW](#) [999-16716-002](#) [A101J1V3Q004](#) [A103J1ZQ004](#) [A201J1AQ004](#) [A201J50ZQ004](#)
[H8653VBBG2577W](#) [HB130CHNWWNAAC](#) [R13112ABB-602W](#) [1251.0303](#) [1352.0107](#) [1500G51E](#) [1571099-3](#) [1571987-4](#) [1571987-5](#)
[1571988-5](#) [B123J77V7B2](#) [160212E](#) [1634200-7](#) [1801.1164](#) [PANEL-PLUG-VHP-BLACK](#) [PANEL-PLUG-VHP-WT](#) [K2ABAAAAAA](#)
[250011E714](#) [2600R21E](#) [260413E](#) [2639LH/2A7/127000L0](#) [LL3AZXX-100-XGT1](#) [LL3AZXX-100-XHS1](#) [LL3AZXX-100-XSD1](#) [30-695B](#)
[160311E](#) [A103J3ZQ004](#) [A201J61ZQ0004](#) [1852.1102](#) [1890.1104](#) [191.081.011](#) [AE107J1AQ004](#) [1935.3128](#) [1935.3133](#) [1MR7-B](#)
[SY236CD6U622](#)