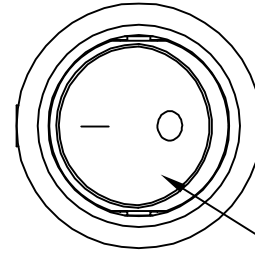


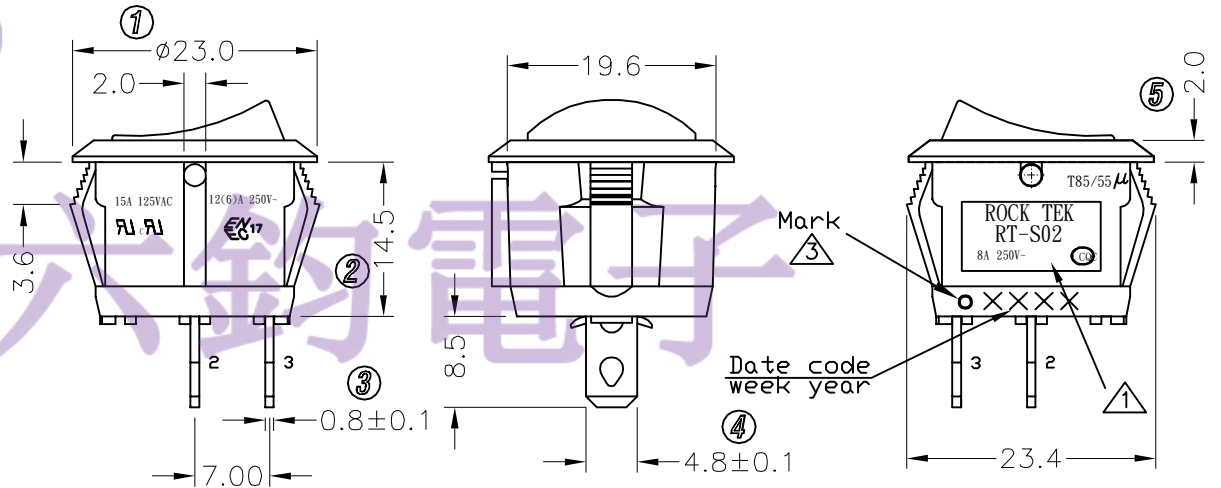
NOTES:

1. Circuit: ON/OFF
2. Operation force:  $550 \pm 150gf$
3. Electrical rating: 8A 250VAC ULCUL CQC  
15A 125VAC ULCUL CQC  
12(6)A 250VAC ENEC
4. Contact resistance:  $< 30m\Omega$
5. Insulation resistance:  $> 100M\Omega$   
(500VDC between open contacts)
6. Dielectric strength:  $> 1500V$  1 minute
7. Color: cover is red, body is black.
8. Comply with the requirements of the EU directive 2002/95/EC RoHS and subsequent amendments.
9. Life: The switch can satisfy the test standard of BTP0001 and life requirement of all the products.
10. Terminal: #187 TAB Terminal, accord the UL310 standard.
11. Satisfy the test requirement of PST-11, switch impact.
12. UL file NO.: E300970
13. The terminals shouldn't be taken out when the pushing force is less than 80N and pulling force is less than 98N.

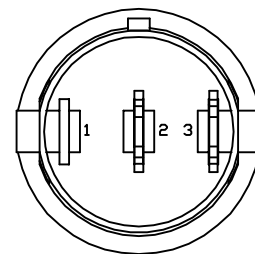
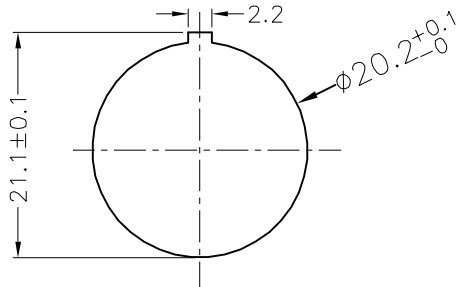
电话 : 0769-82310511-867  
邮箱 : hooya89@hooya.hk  
V : hooya89



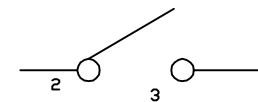
雾面红色上盖



Panel cut out (Thickness: 3mm Max)



Circuit of Switch



5	→	10	→	DIMENSIONAL TOLERANCES		APPROVED	CHECKED	DESIGN	DRAWN	ALL SIZE ARE IN	MM		
4	→	9	→	RANGE	TOLERANCE					SCALE	FIT		
3	增加标识	8	→	X	±0.4				 2018.06.23	MAT'L	***	DRAWING NO.	REV
2	500±200 → 550±150	7	→	X.X	±0.3					MATERIAL NO.	RT-S02-117-R4NBR2 DC	WIF118012	A2
1	取消VDE	6	→	X.XX	±0.2					LEGION ELECTRONIC & HARDWARE CO., LTD			
NO	DESCRIPTION	NO	DESCRIPTION	ANGLES	±0.5°								

## X-ON Electronics

Largest Supplier of Electrical and Electronic Components

*Click to view similar products for [Rocker Switches](#) category:*

*Click to view products by [Legion](#) manufacturer:*

Other Similar products are found below :

[LTILA6E-1S-WH-RC-FN12VXCR1](#) [6-1571986-9](#) [8007K26N324V52](#) [8055K23Z7V](#) [8055K32Z7V](#) [8055K52Z7V](#) [8138K20E6M50](#)  
[PREDD4-07F-BB0FW](#) [PREDD5-07F-BB0GW](#) [999-16716-002](#) [A101J1V3Q004](#) [A103J1ZQ004](#) [A201J1AQ004](#) [A201J50ZQ004](#)  
[H8653VBBG2577W](#) [HB130CHNWWNAAC](#) [R13112ABB-602W](#) [1251.0303](#) [1352.0107](#) [1500G51E](#) [1571099-3](#) [1571987-4](#) [1571987-5](#)  
[1571988-5](#) [B123J77V7B2](#) [160212E](#) [1634200-7](#) [1801.1164](#) [PANEL-PLUG-VHP-BLACK](#) [PANEL-PLUG-VHP-WT](#) [K2ABAAAAAA](#)  
[250011E714](#) [2600R21E](#) [260413E](#) [2639LH/2A7/127000L0](#) [LL3AZXX-100-XGT1](#) [LL3AZXX-100-XHS1](#) [LL3AZXX-100-XSD1](#) [30-695B](#)  
[160311E](#) [A103J3ZQ004](#) [A201J61ZQ0004](#) [1852.1102](#) [1890.1104](#) [191.081.011](#) [AE107J1AQ004](#) [1935.3128](#) [1935.3133](#) [1MR7-B](#)  
[SY236CD6U622](#)