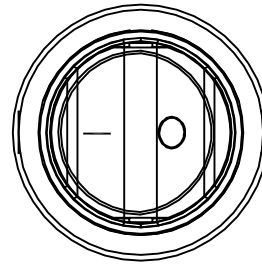
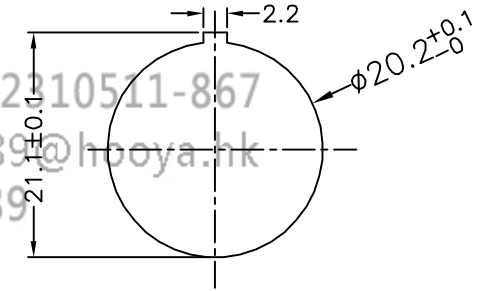


NOTES:

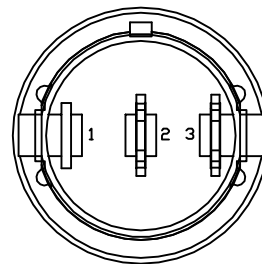
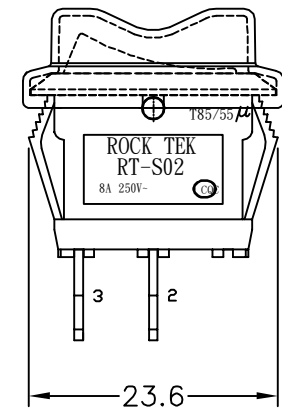
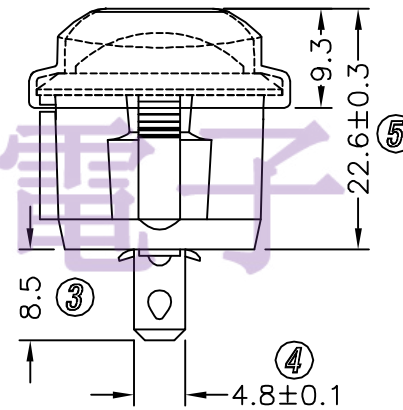
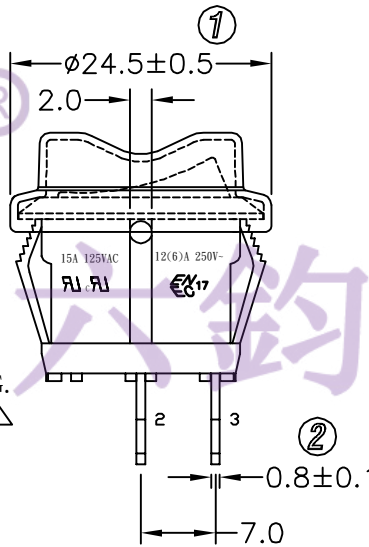
1. Circuit: ON/OFF
2. Operation force(Waterproof cap removal): 500±200gf
3. Electrical rating: 8A 250VAC (ULCUL CQC)  
15A 125VAC (ULCUL CQC)  
12(6)A 250VAC (ENEC17)
4. Contact resistance: <30mΩ
5. Insulation resistance: >100MΩ  
(500VDC between open contacts)
6. Dielectric strength: >1500V 1 minute
7. Color: cover is red, body is black.
8. Comply with the requirements of the EU directive 2002/95/EC RoHs and subsequent amendments.
9. Life: The switch can satisfy the test standard of BPT0001 and life requirement of all the products.
10. Terminal: #187 TAB Terminal, accord the UL310 standard.
11. Satisfy the test requirement of PST-11, switch impact.
12. Waterproof cap Material PVC GM5075, Yellow card: E96789
13. UL file NO: E300970.
14. Waterproof cap hardness: 40° ±10°.
15. Glue the waterproof and the switch together. And be sure the waterproof does not shed when tension strength less than 3KG.
16. Change to low lead material.



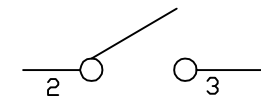
电话 : 0769-82210511-867  
邮箱 : hooya89@hooya.hk  
V : hooya89



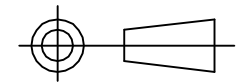
Panel cut out(Thickness: 1.54±0.1mm)



Circuit of Switch



NO	DESCRIPTION	NO	DESCRIPTION	DIMENSIONAL TOLERANCES		APPROVED	CHECKED	DESIGN	DRAWN	ALL SIZE ARE IN		DRAWING NO.	REV
				RANGE	TOLERANCE	SCALE	MM	FIT					
5	→	10	→	X	±0.3	工程部 2020.11.25 郭远维	工程部 2020.11.25 郭远维	工程部 2020.11.25 刘美昌	LMC	MM	***	RT-S02-117-R4NBRC	WIF111003
4	→	9	→	X.X	±0.2					MATERIAL NO.			
3	→	8	→	X.XX	±0.1								
2	改用低铅材料 2020.11.25	7	→	ANGLES	±0.5°	LEGION ELECTRONIC & HARDWARE CO., LTD							
1	增加备注	6	→										



## X-ON Electronics

Largest Supplier of Electrical and Electronic Components

*Click to view similar products for [Rocker Switches](#) category:*

*Click to view products by [Legion](#) manufacturer:*

Other Similar products are found below :

[LTILA6E-1S-WH-RC-FN12VXCR1](#) [6-1571986-9](#) [8007K26N324V52](#) [8055K23Z7V](#) [8055K32Z7V](#) [8055K52Z7V](#) [8138K20E6M50](#)  
[PREDD4-07F-BB0FW](#) [PREDD5-07F-BB0GW](#) [999-16716-002](#) [A101J1V3Q004](#) [A103J1ZQ004](#) [A201J1AQ004](#) [A201J50ZQ004](#)  
[H8653VBBG2577W](#) [HB130CHNWWNAAC](#) [R13112ABB-602W](#) [1251.0303](#) [1352.0107](#) [1500G51E](#) [1571099-3](#) [1571987-4](#) [1571987-5](#)  
[1571988-5](#) [B123J77V7B2](#) [160212E](#) [1634200-7](#) [1801.1164](#) [PANEL-PLUG-VHP-BLACK](#) [PANEL-PLUG-VHP-WT](#) [K2ABAAAAAA](#)  
[250011E714](#) [2600R21E](#) [260413E](#) [2639LH/2A7/127000L0](#) [LL3AZXX-100-XGT1](#) [LL3AZXX-100-XHS1](#) [LL3AZXX-100-XSD1](#) [30-695B](#)  
[160311E](#) [A103J3ZQ004](#) [A201J61ZQ0004](#) [1852.1102](#) [1890.1104](#) [191.081.011](#) [AE107J1AQ004](#) [1935.3128](#) [1935.3133](#) [1MR7-B](#)  
[SY236CD6U622](#)