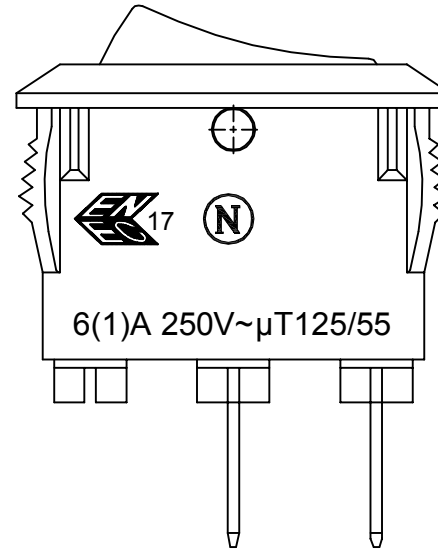
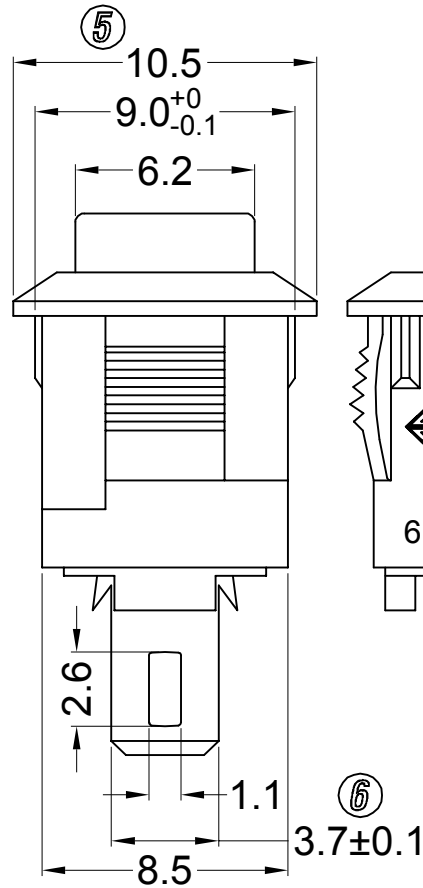
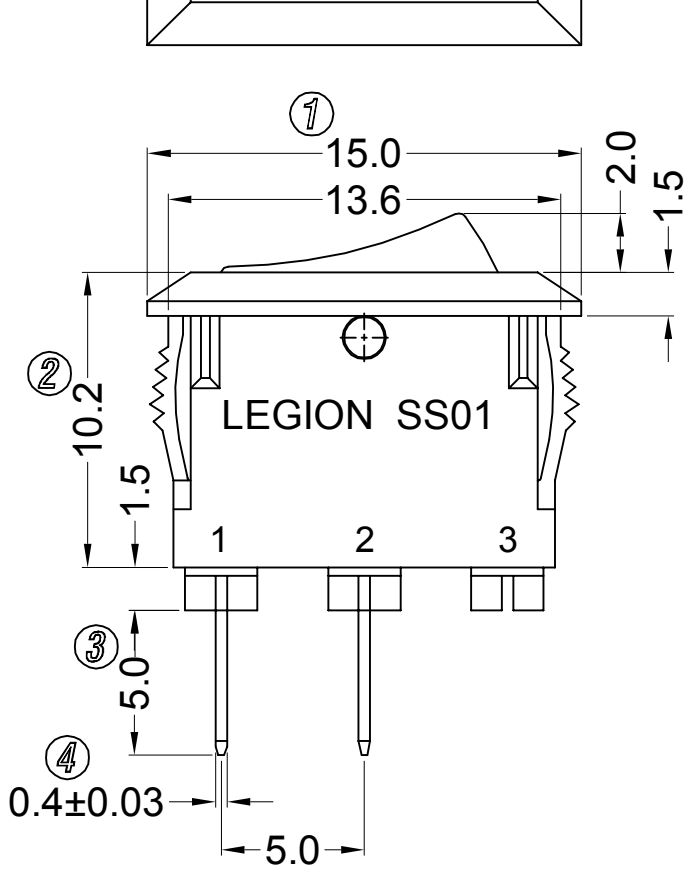
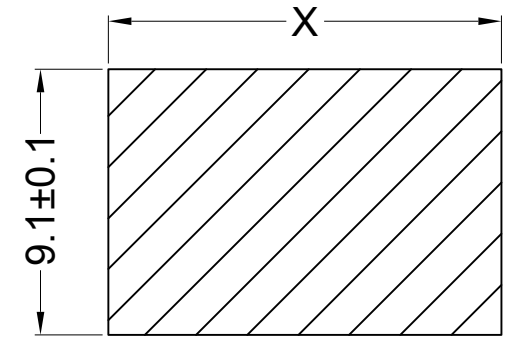


- 1.CIRCUIT:ON/OFF
- 2.RATING: 3A 125/250VAC
6(1)A 250V~ T125/55(ENEC17;NEMKO)
- 3.CONTACT RESISTANT: <math><50\text{m}\Omega</math> (INITIAL)
- 4.INSULATION RESISTANCE: >100M Ω
(500VDC BETWEEN OPEN CONTACTS)
- 5.DIELECTRIC STRENGTH: 1500V 1MIN
- 6.ACTUATOR & HOUSING COLOR: BLACK
- 7.ACTUATOR PRINTING COLOR: WHITE



	X Cutout Dimension	Panel Thickness
A	13.5 - 13.6	0.75~1.25
B	13.6 - 13.7	1.25~2.00



MOUNTING HOLE

NO.	DESCRIPTION	APPROVED	DATE	GENERAL TOLERANCE	GRADATION	TOLERANCE	ANGLE	Approved	Checked	Designed	Drawn	ALL SIZE ARE IN	mm		ORDER NO.	DRAWING NO.	REV.
5	→			GENERAL TOLERANCE													
4	→			GRADATION													
3	→			X.	±0.30												
2	→			X.X	±0.20												
1	→			X.XX	±0.15												
				X.XXX	±0.10												
				ANGLE	±1°												

六鈞電子五金有限公司
LEGION ELECTRONIC & HARDWARE CO., LTD.

SS01-BBIWA-RA20-R

WIF117007

A

LEGION ELECTRONIC & HARDWARE CO., LTD.

翹板式開關 測試規格

SS01 SERIES SWITCHES TEST SPECIFICATION

1. TEST CONDITION (測試環境):

THE SWITCH IS TESTED AT A TEMPERATURE RANGE OF 5~35°C AND RELATIVE HUMIDITY RANGE OF 45~85%.

* 環境溫度範圍 : 5 ~ 35°C

* 相對濕度範圍 : 45 ~ 85%

2. RATING (額定):

3A 125/250VAC

6(1)A 250V~ T125/55(ENEC17;NEMKO)

3. ELECTRICAL PERFORMANCE (電氣性能):

3-1. CONTACT RESISTANCE (接觸電阻):

MEASURED BY FALL OF POTENTIAL METER AT DC 0.2 V/1A SHOULD BE LESS THAN 50mΩ INITIAL.

* 以微電阻計在 **DC 0.2V/1A** 的測試規格值下, 接觸電阻值應該小於 **50mΩ**.

3-2. INSULATION RESISTANCE (絕緣電阻):

MEASURED WITH DC 500V APPLIED BETWEEN TERMINALS OF OPEN CONTACTS AND BETWEEN TERMINALS OF OPPOSITE POLARITY, SHOULD BE MORE THAN 100MΩ.

* 絕緣電阻計於 **DC 500V** 設定值下量測於開路的端子或不同迴路的端子, 其絕緣電阻值應該大於 **100MΩ**.

3-3 DIELECTRIC STRENGTH (耐電壓):

THE SWITCH SHALL WITHSTAND WITHOUT BREAKDOWN A POTENTIAL OF AC 1500V FOR 1 MINUTE BETWEEN TERMINALS OF OPEN CONTACTS AND CLOSED TERMINALS BETWEEN PLASTIC HOUSING.

* 不同極間的兩支端子開路時, 必須通過一分鐘 0.5mA 1500VAC 的耐電壓.

* 端子與外殼, 必須通過一分鐘 0.5mA 1500VAC 的耐電壓.

4. MECHANICAL PERFORMANCE(機械性能):

4-1. OPERATION FORCE(操作力量): 250±100gf

4-2. TERMINAL STRENGTH (端子強度):

A STEADY FORCE OF 2.27 KGF BEING APPLIED IN ONE DIRECTION ON THE TIP OF THE TERMINAL FOR 1 MINUTE. THE TERMINAL MAY BE DEFORMED, BUT SHALL NOT SUSTAIN ANY TROUBLE AS DISPLACEMENT AND BREAKING OF TERMINAL AND INSULATION MATERIALS.

* 施以固定 2.27Kgf (焊線/PCB 端子)的力量於同一方向在端子的頂端一分鐘, 端子允許變型, 但是不可以有任何位移(偏向)與端子斷裂及絕緣材料的破裂.

5. OVERLOAD AND ENDURANCE TEST (過負載與壽命測試):

THE SWITCH SHALL BE OPERATED ACCORDING TO THE FOLLOWING TABLE

* 開關應該依照下列表格的操作方式進行測試.

CONDITION 測試狀況	VOLTAGE 測試電壓	CURRENT 測試電流	P.F. 功率因素	OPERATION SPEED 操作速率	NUMBER OF OPERATION 操作次數	SAFETY APPLICATION 適用安規
OVERLOAD 過負載	125VAC	4.5A	0.75~0.8	8 CYCLES PER MINUTE 每分鐘 8 次	50 CYCLES 50 次	
	250VAC					
ENDURANCE 壽命測試	125VAC	3A	0.75~0.8	8 CYCLES PER MINUTE 每分鐘 8 次	6000 CYCLES 6000 次	
	250VAC					

EUROPE STANDARD (歐洲標準)

MAKING 開路	250VAC	6A	0.6	15 CYCLES PER MINUTE 每分鐘 15 次	10000 CYCLES 10000 次	ENEC17/NEMKO
BREAKING 開路		6A	0.95			

6. TEMPERATURE TEST (溫升試驗):

THE TEMPERATURE TEST SHOULD BE TAKEN AFTER ENDURANCE TEST WITH ITS RATED CURRENT AND VOLTAGE.

THE TEMPERATURE RISING SHALL NOT BE MORE THAN 55°C.

* 溫升測試應該於壽命測試結束後隨即測試, 以同樣的電流與電壓量測, 溫升值必須低於攝氏 **55°**.

7. SOLDERING (焊錫特性):

IMMERSE THE TERMINAL LEADS INTO MOLTEN SOLDER AT TEMPERATURE OF 230±5°C FOR 3±0.5 SECONDS. MORE THAN 75% OF PART IMMersed SHOULD BE COVERED WITH SOLDER.

* 端子浸入 230±5°C 溫度溶化的焊錫中 3±0.5 秒, 75% 以上的部分應該被焊錫包覆.

8. SOLDERING HEAT RESISTANCE OF BASE (基座抗熱性):

TEMPERATURE AND DURATION OF DIPPING

TYPE OF TERMINAL 端子型式	TEMPERATURE 溫度	DIPPING TIME 焊錫時間
TERMINAL FOR PCB WIRING * PCB 端子	260±5°C	8 SECONDS Max.
TERMINAL FOR LEAD WIRING * 焊線端子	350±5°C	5 SECONDS Max.

THERE SHALL NOT BE EXTREME DEFORMING IN APPEARANCE.

ELECTRICAL PERFORMANCE OF THE ABOVE ITEM 3 SHALL BE ASSURED.

* 基座不可以有極度變形狀況發生.

* 上文第 3 項的電子性能應該被保證.

9. NOTICE (使用注意事項):

9-1. When welding, any pressure applied to the terminals may cause conditions as looseness,

deformation of terminals and electrical degradations.

給端子進行焊接時，如果在端子上施加負荷，因條件不同會有鬆動、變形、及電特性退化的可能，請在使用時注意。

9-2. For second time welding job, please proceed welding after it is recovered to room temperature.

進行二次焊接時，請在第一次焊接部份恢復到常溫之后再進行。連續加熱可能使外圍部變形、端子鬆動，脫落及電特性降低。

9-3. Water-flux may cause switch corrosion, please don't use it.

焊接時，水溶劑助焊劑有可能腐蝕開關的可能，請避免使用。

9-4. Do not clean it with water.

不能用水清洗

9-5. After final assembly as a completed product, please make sure that there's no erosion gas/materials released from peripheral parts/materials as it may causes contact failure of switches.

如果使用開關的整機的周邊材料產生腐蝕性氣體，有可能造成接觸不良等現象，所以請事先進行充分確認。

9-6. Storage:

保管方法:

a. Keep it stored under normal temperature, humidity and prevent from direct sunshine, erosion gas. Products should be used within 6 months.

產品以交貨時的狀態在常溫，常濕，不受直射陽光照射，不產生腐蝕性氣體的場所保管，自交貨起 6 個月以內為限度，請盡可能快的使用。

b. For small quantity which taken from main packages, please keep it in plastic bags and sealed. And have it storage under up-mentioned environment.

開封后未使用的，請用膠袋密封好，請在與上述所要求的環境下保管，並盡快使用。

c. Do not pile up products too high.

請不要過分地堆積。

修訂日期 REVISED DATE	修訂內容 DESCRIPTION	修訂者 REVISED BY	文件編號 FILE NO.	制定 WRITE BY	審核 CHECKED BY	核准 APPROVED BY
			SPEC-011	陈先明 24-Mar-10	/	唐彪
			版次 VERSION			
			A 版 0 次			

Licence for use of the here shown ENEC conformity mark :



Based on:

Agreement on the use of a commonly agreed Mark on Conformity for equipment complying with European Standards as of 12 November 1991 (in short ENEC Agreement), as revised latest by ENEC group April 16. 1997.

Nemko hereby grants the following manufacturer as licensee the right to affix this ENEC mark on the product(s) specified below.

Product	Switches
Applicant	Legion Electronic Co., Ltd. Room M,4/F., Continental Mansion, 300 King's Road Hong Kong
Manufacturer	Dong Guan Legion Electronic & Hardware Co., Ltd. Yayuan Road, the first industrial zone, Four village,Shijie town Dongguan City, Guangdong Province China
Factory	Dong Guan Legion Electronic & Hardware Co., Ltd. Yayuan Road, the first industrial zone, Four village,Shijie town Dongguan City, Guangdong Province China <input type="checkbox"/> See next page(s)
Ratings	6(1)A 250V AC
Trade mark	LEGION
Model / Type Ref.	SS01 series
Principal characteristics	Rocker switch for use in Class II appliances, Circuit code 1.2, micro disconnection, 1E4 cycles, level 3, Pollution degree II, PTI 175, T125/55, with solder terminals. <input type="checkbox"/> See next page(s)

A sample of the product was tested INST EN 61058-1:2002;A2
and found to be in conformity with

The conditions for this licence are that the ENEC-marked products conform with the applicable Standard(s) as stated in
the Test Report with Order No: 285588

and that Articles 8 and 9 of the ENEC Agreement are fulfilled by the manufacturer. The mark signifies the compliance of the
completed products with these conditions. Further information is given in the attached Annex, which forms an obligatory part of
this licence document. This licence has been issued under the presumption and conditional on the fact that the licensee holds all
necessary legal rights with regard to the product presented for testing and certification.

Additional model(s) See next page(s)

Date of issue 15-06-2015



Juan Z. Kleppenes
Certification Department

Product	Switches
Applicant	Legion Electronic Co., Ltd. Room M,4/F., Continental Mansion, 300 King's Road Hong Kong
Manufacturer	Dong Guan Legion Electronic & Hardware Co., Ltd. Yayuan Road, the first industrial zone, Four village,Shijie town Dongguan City, Guangdong Province China
Factory	Dong Guan Legion Electronic & Hardware Co., Ltd. Yayuan Road, the first industrial zone, Four village,Shijie town Dongguan City, Guangdong Province China <input type="checkbox"/> See next page(s)
Ratings	6(1)A 250V AC
Trade mark	LEGION
Model / Type Ref.	SS01 series
Principal characteristics	Rocker switch for use in Class II appliances, Circuit code 1.2, micro disconnection, 1E4 cycles, level 3, Pollution degree II, PTI 175, T125/55, with solder terminals. <input type="checkbox"/> See next page(s)
A sample of the product was tested and found to be in conformity with	INST EN 61058-1:2002;A2
Replaces	This certificate replaces previous certificate No. P11213777, due to updating the manufacturer and factory information
Validity	This certificate documents conformity with the standards shown, and also applies as license for use of Nemkos name and certification mark. The certificate and license is valid as long as the applicable conditions are complied with, and provided that any changes to the product are notified to Nemko for acceptance prior to implementation. New standards or amendments to the standards may imply that the product design must be updated and/or that re-testing and re-certification is necessary.
Additional information	<input type="checkbox"/> See next page(s)
Additional model(s)	<input type="checkbox"/> See next page(s)

Date of issue 15-06-2015



Juan Z. Kleppenes
Certification Department

CB TEST CERTIFICATE CERTIFICAT D'ESSAI OCProduct
ProduitName and address of the applicant
Nom et adresse du demandeurName and address of the manufacturer
Nom et adresse du fabricantName and address of the factory
Nom et adresse de l'usineNote: When more than one factory, please report on page 2
Note: Lorsque il y plus d'une usine, veuillez utiliser la deuxième pageRatings and principal characteristics
Valeurs nominales et caractéristiques principalesTrademark (if any)
Marque de fabrique (si elle existe)Type of Manufacturer's Testing Laboratories used
Type de programme du laboratoire d'essais constructeurModel / Type Ref.
Ref. De typeAdditional information (if necessary may also be reported on page 2)
Les informations complémentaires (si nécessaire, peuvent être indiqués sur la deuxième page)A sample of the product was tested and found to be in conformity with
Un échantillon de ce produit a été essayé et a été considéré conforme à laAs shown in the Test Report Ref. No. which forms part of this Certificate
Comme indiqué dans le Rapport de tests numéro de référence qui constitue partie de ce CertificatThis CB Test Certificate is issued by the National Certification Body
Ce Certificat de test OC est établi par l'Organisme **National de Certification****Switches**Legion Electronic Co., Ltd.
Room M,4/F., Continental Mansion, 300 King's Road
Hong KongDong Guan Legion Electronic & Hardware Co., Ltd.
Yayuan Road, the first industrial zone, Four village, Shijie town
Dongguan City, Guangdong Province
ChinaDong Guan Legion Electronic & Hardware Co., Ltd.
Yayuan Road, the first industrial zone, Four village, Shijie town
Dongguan City, Guangdong Province
China Additional information on page 2

6(1)A 250V AC

LEGION

SS01 series

Rocker switch for use in Class II appliances, Circuit code 1.2, micro disconnection, 1E4 cycles, level 3, Pollution degree II, PTI 175, T125/55, with solder terminals.

 Additional information on page 2

IEC 61058-1(ed.3);am1;am2

285588

This certificate replaces the certificate NO62098, due to updating the manufacturer and factory information

Gaustadalléen 30
NO-0373 Oslo, Norway

Date: 15-06-2015

Signature: Juan Z. Kleppenes
Certification Department

X-ON Electronics

Largest Supplier of Electrical and Electronic Components

Click to view similar products for [Rocker Switches](#) category:

Click to view products by [Legion](#) manufacturer:

Other Similar products are found below :

[LTILA6E-1S-WH-RC-FN12VXCR1](#) [6-1571986-9](#) [8055K23Z7V](#) [8055K52Z7V](#) [8138K20E6M50](#) [PREDD5-07F-BB0GW](#) [999-16716-002](#)
[999-16716-003](#) [A101J1V3Q004](#) [A101J2ZQ004](#) [A101J51CB0004](#) [A103J1ZQ004](#) [A201J1AQ004](#) [A201J3ZB004](#) [A201J50ZQ004](#)
[A203J51ZQ0004](#) [A435S1YZQ](#) [H8500XBBBBL-A](#) [H8653VBBG2577W](#) [HB130CHNWWNAAC](#) [R13112ABB-602W](#) [1251.0303](#)
[AE205J60V3B004](#) [1352.0107](#) [1363.0201](#) [1500G51E](#) [1571099-3](#) [1571987-4](#) [1571987-5](#) [1571988-5](#) [B123J77V7B2](#) [B226J50W4Q22P](#)
[B433J37ZQ22M](#) [160212E](#) [1634200-7](#) [1801.1164](#) [1831.1102](#) [1839.1502](#) [PANEL-PLUG-VHP-BLACK](#) [PANEL-PLUG-VHP-WT](#)
[K1ABBSCADN](#) [K2ABAAAAAA](#) [KG312A2DXD246X](#) [250011E714](#) [2600R21E](#) [260413E](#) [2637LH/2A7/122048L0](#) [2639LH/2A7/127000L0](#)
[LL3AZXX-100-XGT1](#) [LL3AZXX-100-XHS1](#)