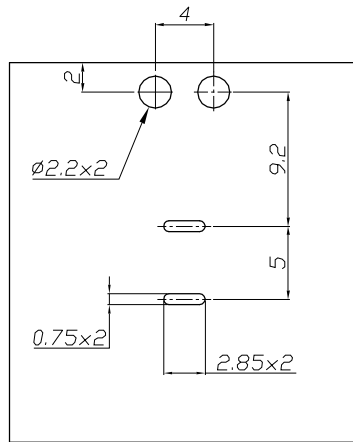
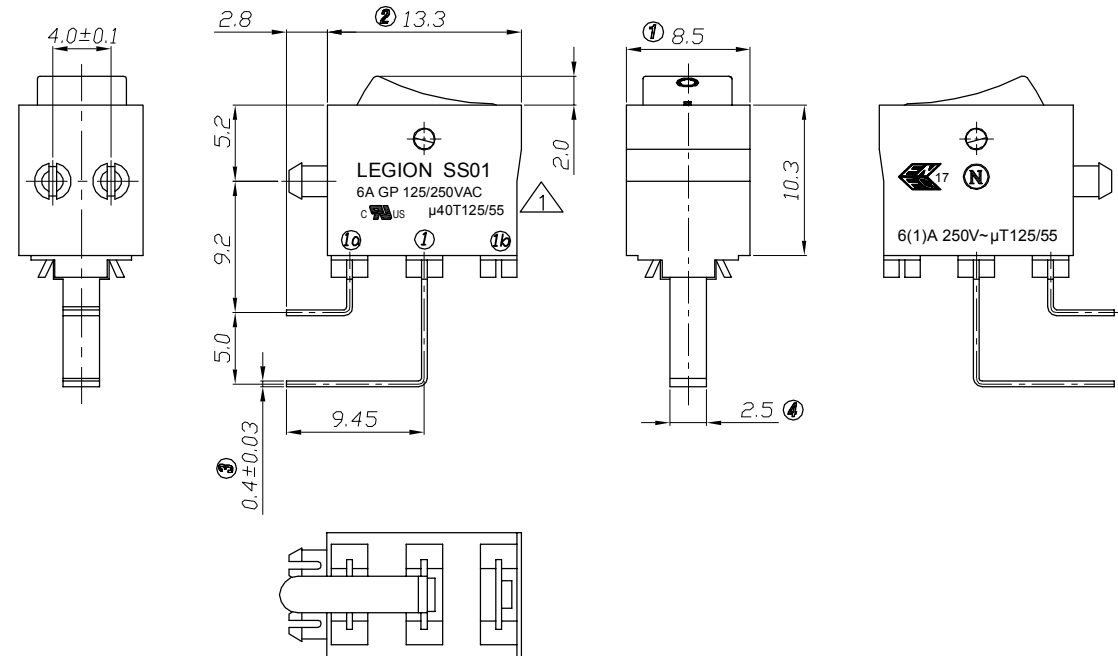
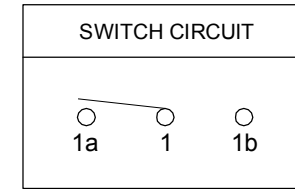
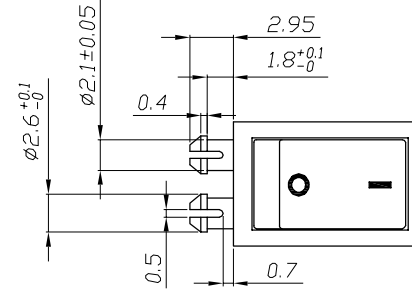


- 1.CIRCUIT:ON/OFF
- 2.PCB CONNECTOR TYPE; SINGLE POLE SINGLE THROW)
- 3.RATING: 6A GP 125/250VAC(UL;CUL)
6(1)A 250V~ T125/55(ENEC17;NEMKO)
- 4.CONTACT RESISTANT: <50mΩ (INITIAL)
- 5.INSULATION RESISTANCE: >100MΩ
(500VDC BETWEEN OPEN CONTACTS)
- 6.DIELECTRIC STRENGTH: 1500V 1MIN
- 7.MECHANICAL LIFE: >30000 CYCLES
- 8.ELECTRICAL LIFE: >10000 CYCLES
- 9.TEMPERATURE RISE AT THE TERMINAL: MAX. 30°C
- 10.SOLDER ABILITY OF TERMINAL: MAX350°C, 3S
(NO PRESSURE MAY BE
PLACED IN THE TERMINALS WHEN SOLDERING BY HAND)
- 11.ACTUATOR & HOUSING COLOR: BLACK
- 12.ACTUATOR PRINTING COLOR: WHITE
- 13.ALL MATERIALS ARE ROHS COMPLIANT
- 14.OPERATION FORCE:250±100gf



HOUSING TYPE:PC IN PANEL



5	→	10	→	DIMENSIONAL TOLERANCES		APPROVED	CHECKED	DESIGN	DRAWN	ALL SIZE ARE IN	MM		DRAWING NO.	REV.
4	→	9	→	RANGE	TOLERANCE					SCALE	NO			
3	→	8	→	X	±0.30				LMC 2019. 12. 10	MAT'L	***			
2	→	7	→	X.X	±0.20					MATERIAL NO.				
1	增加UL安规 2020. 08. 19	6	→	X.XX	±0.10									
NO	DESCRIPTION	NO	DESCRIPTION	ANGLES	±1°	LEGION ELECTRONIC & HARDWARE CO., LTD.				SS01-BBIWL-RB20-R	WIF119160	A1		

4

3

2

1

X-ON Electronics

Largest Supplier of Electrical and Electronic Components

Click to view similar products for [Rocker Switches](#) category:

Click to view products by [Legion](#) manufacturer:

Other Similar products are found below :

[LTILA6E-1S-WH-RC-FN12VXCR1](#) [6-1571986-9](#) [8007K26N324V52](#) [8055K23Z7V](#) [8055K32Z7V](#) [8055K52Z7V](#) [8138K20E6M50](#)
[PREDD4-07F-BB0FW](#) [PREDD5-07F-BB0GW](#) [999-16716-002](#) [A101J1V3Q004](#) [A103J1ZQ004](#) [A201J1AQ004](#) [A201J50ZQ004](#)
[H8653VBBG2577W](#) [HB130CHNWWNAAC](#) [R13112ABB-602W](#) [1251.0303](#) [1352.0107](#) [1500G51E](#) [1571099-3](#) [1571987-4](#) [1571987-5](#)
[1571988-5](#) [B123J77V7B2](#) [160212E](#) [1634200-7](#) [1801.1164](#) [PANEL-PLUG-VHP-BLACK](#) [PANEL-PLUG-VHP-WT](#) [K2ABAAAAAA](#)
[250011E714](#) [2600R21E](#) [260413E](#) [2639LH/2A7/127000L0](#) [LL3AZXX-100-XGT1](#) [LL3AZXX-100-XHS1](#) [LL3AZXX-100-XSD1](#) [30-695B](#)
[160311E](#) [A103J3ZQ004](#) [A201J61ZQ0004](#) [1852.1102](#) [1890.1104](#) [191.081.011](#) [AE107J1AQ004](#) [1935.3128](#) [1935.3133](#) [1MR7-B](#)
[SY236CD6U622](#)