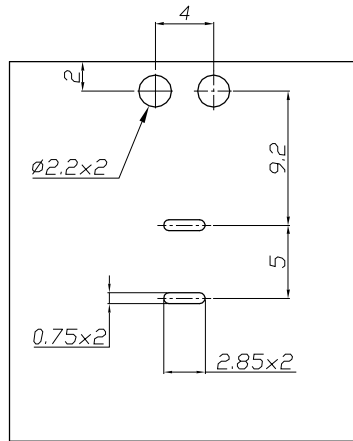
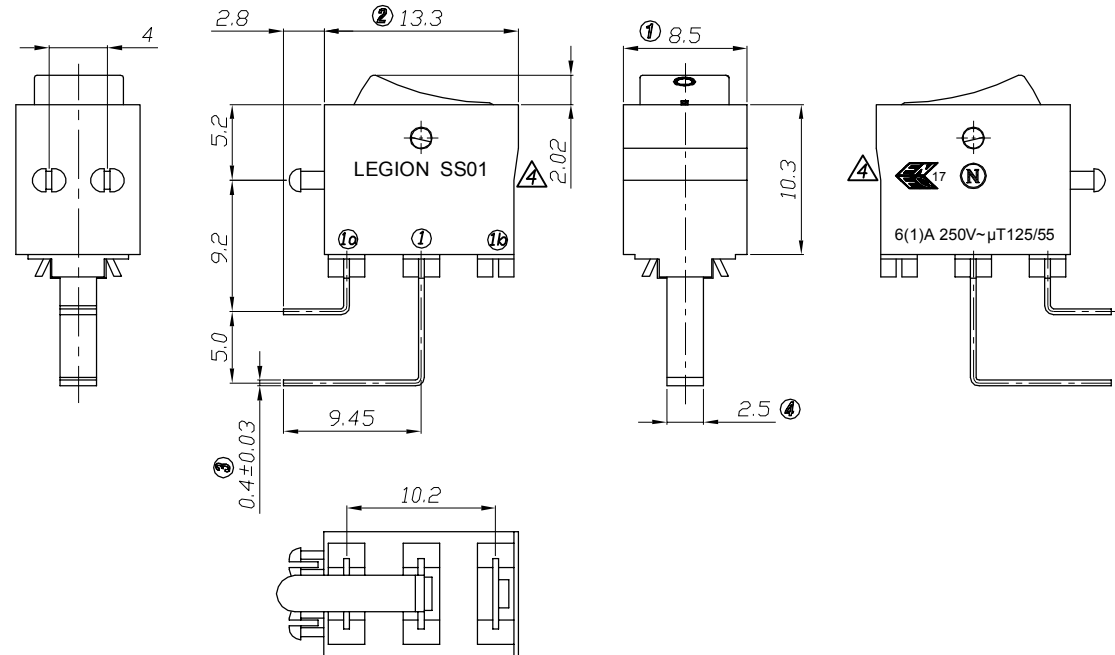
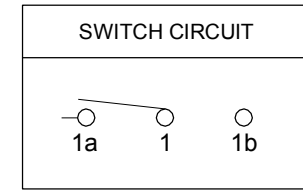
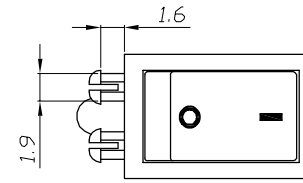


- 1.ROCKER SWITCH MODEL SS01-BBIWL-RP20-R
- 2.PCB CONNECTOR TYPE; SINGLE POLE SINGLE THROW)
- 3.RATING: 3A 125/250VAC  
6(1)A 250V~ T125/55(ENEC17;NEMKO) ⚠
- 4.CONTACT RESISTANT: <50mΩ (INITIAL)
- 5.INSULATION RESISTANCE: >100MΩ  
(500VDC BETWEEN OPEN CONTACTS)
- 6.DIELECTRIC STRENGTH: 1500V 1MIN
- 7.MECHANICAL LIFE: >30000 CYCLES
- 8.ELECTRICAL LIFE: >10000 CYCLES
- 9.TEMPERATURE RISE AT THE TERMINAL: MAX. 30°C
- 10.SOLDER ABILITY OF TERMINAL: MAX350°C, 3S  
(NO PRESSURE MAY BE PLACED IN THE TERMINALS WHEN SOLDERING BY HAND)
- 11.ACTUATOR & HOUSING COLOR: BLACK
- 12.ACTUATOR PRINTING COLOR: WHITE
- 13.ALL MATERIALS ARE ROHS COMPLIANT
- 14.OPERATION FORCE:250±100gf ⚠



HOUSING TYPE:PC IN PANEL



5	→	10	→	DIMENSIONAL TOLERANCES		APPROVED	CHECKED	DESIGN	DRAWN	ALL SIZE ARE IN	MM		
4	增加安规标识 2019.02.18	9	→	RANGE	TOLERANCE					SCALE	NO		
3	修改手感范围 2015.12.21	8	→	X	±0.30				LMC	MAT'L	***	DRAWING NO.	REV.
2	修改开关接触电阻值范围 2015.11.27	7	→	X.X	±0.20				2017.10.31	MATERIAL NO.			
1	修改安规额定 2014.02.20	6	→	X.XX	±0.10					SS01-BBIWL-RP20-R		WIF119004	B0
NO	DESCRIPTION	NO	DESCRIPTION	ANGLES	±1°	LEGION ELECTRONIC & HARDWARE CO., LTD.							

4

3

2

1

## X-ON Electronics

Largest Supplier of Electrical and Electronic Components

*Click to view similar products for [Rocker Switches](#) category:*

*Click to view products by [Legion](#) manufacturer:*

Other Similar products are found below :

[LTILA6E-1S-WH-RC-FN12VXCR1](#) [6-1571986-9](#) [8055K23Z7V](#) [8055K52Z7V](#) [8138K20E6M50](#) [PREDD5-07F-BB0GW](#) [999-16716-002](#)  
[999-16716-003](#) [999-16716-004](#) [A101J1V3Q004](#) [A101J2ZQ004](#) [A101J51CB0004](#) [A103J1ZQ004](#) [A201J1AQ004](#) [A201J50ZQ004](#)  
[A203J51ZQ0004](#) [A435S1YZQ](#) [H8653VBBG2577W](#) [HB130CHNWWNAAC](#) [R13112ABB-602W](#) [1251.0303](#) [1352.0107](#) [1363.0201](#)  
[1500G51E](#) [1571099-3](#) [1571987-4](#) [1571987-5](#) [1571988-5](#) [B123J77V7B2](#) [B226J50W4Q22P](#) [B433J37ZQ22M](#) [160212E](#) [1634200-7](#)  
[1801.1164](#) [1831.1102](#) [1839.1502](#) [PANEL-PLUG-VHP-BLACK](#) [PANEL-PLUG-VHP-WT](#) [K1ABBSCADN](#) [K2ABAAAAAA](#)  
[KG312A2DXD246X](#) [250011E714](#) [2600R21E](#) [260413E](#) [2637LH/2A7/122048L0](#) [2639LH/2A7/127000L0](#) [LL3AZXX-100-XGT1](#) [LL3AZXX-](#)  
[100-XHS1](#) [LL3AZXX-100-XSD1](#) [30-695B](#)