

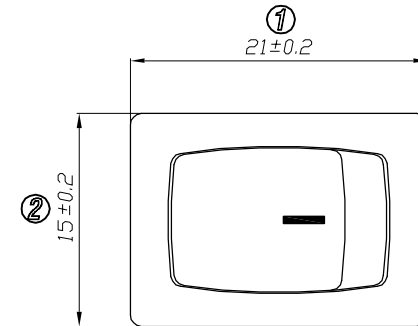
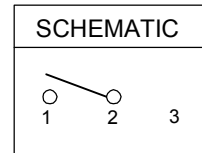
1. 电路CIRCUIT:ON/OFF
 2. 快插端子 QUICK CONNECTOR TYPE;
 单刀单掷 (SINGLE POLE SINGLE THROW);
 3. 额定值 RATING:16A 125/250VAC (UL;C-UL);
 12A 125/250VAC (UL;C-UL);
 16(4)A 250V~T125/55(ENEC17;NEMKO;CQC;CB)

UL APPROVAL FILE NO.:E153399
 ENEC CERTIFICATE NO.:NO3715
 NEMKO CERTIFICATE NO.:P09211556/A1
 CQC CERTIFICATE NO.10002049681
 CB CERTIFICATE NO.:NO62986/A2

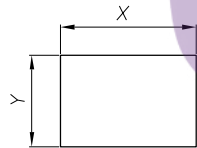
4. 柄的颜色 ACTUATOR COLOR: 黑色 BLACK
 基座的颜色 HOUSING COLOR: 黑色 BLACK
 5. 柄的印字形式 ACTUATOR PRINTING: 白色 " - " WHITE COLOR

6. 所有部件均使用环保材料
 ALL MATERIALS USE IN CONFORMIY WITH THE RoHS DIRECTIVE

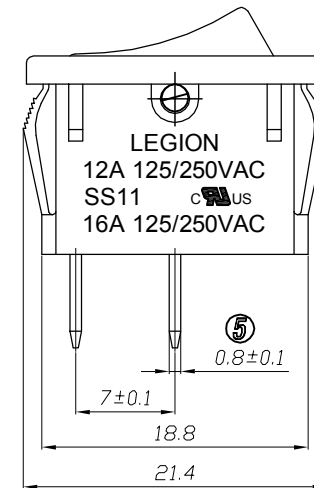
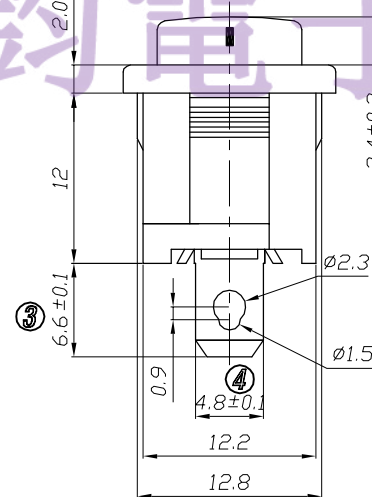
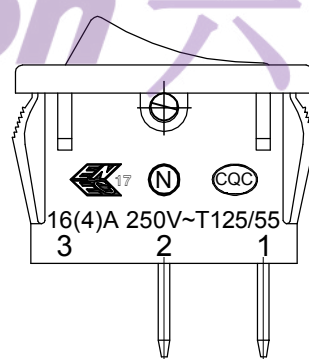
TEL: 0769-82310511-867



PANEL CUTOUT DIMENSION



| PANEL THICKNESS | X | Y |
|-----------------|---------------------------------------|---------------------------------------|
| 0.8~1.2mm | 19.2 ⁺⁰ _{-0.1} mm | 12.9 ^{+0.1} ₋₀ mm |
| 1.3~2.0mm | 19.4 ⁺⁰ _{-0.1} mm | 12.9 ^{+0.1} ₋₀ mm |
| 2.1~2.5mm | 19.8 ⁺⁰ _{-0.1} mm | 12.9 ^{+0.1} ₋₀ mm |



| NO | DESCRIPTION | NO | DESCRIPTION | DIMENSIONAL TOLERANCES | | APPROVED | CHECKED | DESIGN | DRAWN | ALL SIZE ARE IN | | DRAWING NO. | REV. |
|----|-------------|----|-------------|------------------------|-----------|--|---------|--------|------------|------------------|-----------|-------------|------|
| | | | | RANGE | TOLERANCE | | | | | MM | NO | | |
| | | | | X | ±0.30 | | | | LMC | | | | |
| | | | | X.X | ±0.20 | | | | 2019.05.20 | | | | |
| | | | | X.XX | ±0.10 | | | | | | | | |
| | | | | ANGLES | ±1° | LEGION ELECTRONIC & HARDWARE CO., LTD. | | | | SS11-BBAWG-R20-R | WIF119117 | A | |

X-ON Electronics

Largest Supplier of Electrical and Electronic Components

Click to view similar products for [Rocker Switches](#) category:

Click to view products by [Legion](#) manufacturer:

Other Similar products are found below :

[LTILA6E-1S-WH-RC-FN12VXCR1](#) [6-1571986-9](#) [8007K26N324V52](#) [8055K23Z7V](#) [8055K32Z7V](#) [8055K52Z7V](#) [8138K20E6M50](#)
[PREDD4-07F-BB0FW](#) [PREDD5-07F-BB0GW](#) [999-16716-002](#) [A101J1V3Q004](#) [A103J1ZQ004](#) [A201J1AQ004](#) [A201J50ZQ004](#)
[H8653VBBG2577W](#) [HB130CHNWWNAAC](#) [R13112ABB-602W](#) [1251.0303](#) [1352.0107](#) [1500G51E](#) [1571099-3](#) [1571987-4](#) [1571987-5](#)
[1571988-5](#) [B123J77V7B2](#) [160212E](#) [1634200-7](#) [1801.1164](#) [PANEL-PLUG-VHP-BLACK](#) [PANEL-PLUG-VHP-WT](#) [K2ABAAAAAA](#)
[250011E714](#) [2600R21E](#) [260413E](#) [2639LH/2A7/127000L0](#) [LL3AZXX-100-XGT1](#) [LL3AZXX-100-XHS1](#) [LL3AZXX-100-XSD1](#) [30-695B](#)
[160311E](#) [A103J3ZQ004](#) [A201J61ZQ0004](#) [1852.1102](#) [1890.1104](#) [191.081.011](#) [AE107J1AQ004](#) [1935.3128](#) [1935.3133](#) [1MR7-B](#)
[SY236CD6U622](#)