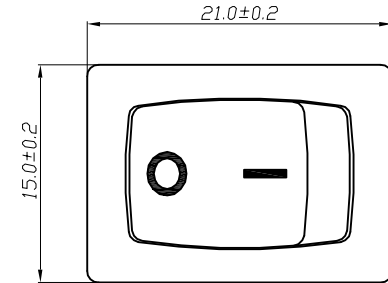
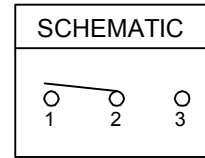
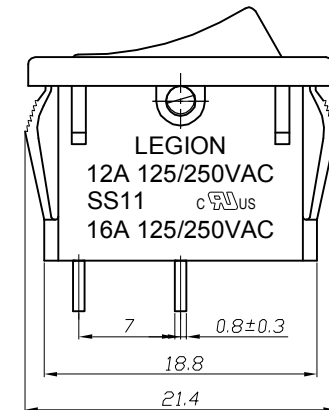
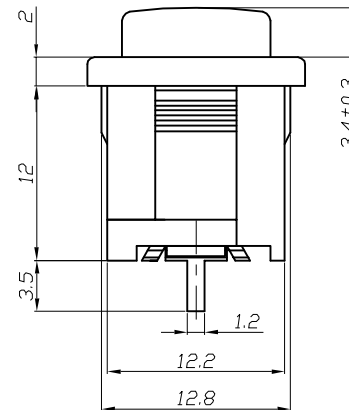
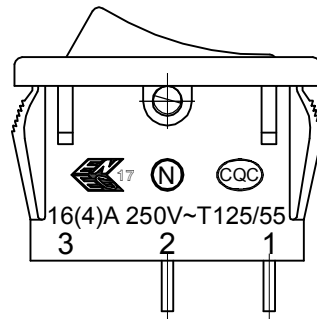
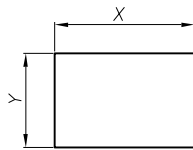


1. 电路CIRCUIT: ON/OFF;
2. 快插端子 QUICK CONNECTOR TYPE;
单刀单掷 (SINGLE POLE DOUBLE THROW);
3. 额定值 RATING: 16A 125/250VAC (UL;C-UL);
12A 125/250VAC (UL;C-UL);
16(4)A 250V~T125/55 (ENEC17;NEMKO;CQC;CB)
4. 接触电阻 CONTACT RESISTANCE: <50mΩ
5. 绝缘阻抗 INSULATION RESISTANCE: >100MΩ
(500VDC BETWEEN OPEN CONTACTS)
6. 耐电压 DIELECTRIC STRENGTH: >1500VAC 0.5mA 1 MINTUTE
7. 所有部件均使用环保材料
ALL MATERIALS USING MEET THE RoHS DIRECTIVE



PANEL CUTOUT DIMENSION



PANEL THICKNESS	X	Y
0.8~1.2mm	19.2 ⁺⁰ _{-0.1} mm	12.9 ^{+0.1} ₋₀ mm
1.3~2.0mm	19.4 ⁺⁰ _{-0.1} mm	12.9 ^{+0.1} ₋₀ mm
2.1~2.5mm	19.8 ⁺⁰ _{-0.1} mm	12.9 ^{+0.1} ₋₀ mm

NO	DESCRIPTION	NO	DESCRIPTION	DIMENSIONAL TOLERANCES		APPROVED	CHECKED	DESIGN	DRAWN	ALL SIZE ARE IN		DRAWING NO.	REV.
				RANGE	TOLERANCE					MM	NO		
5	→	10	→	X	±0.30	LMC 2020.11.14				SCALE	***	SS11-BBIWC-R20-R	*****
4	→	9	→	X.X	±0.20					MATERIAL NO.			
3	→	8	→	X.XX	±0.10								
2	→	7	→	ANGLES	±1°								
1	→	6	→										
LEGION ELECTRONIC & HARDWARE CO., LTD.													

X-ON Electronics

Largest Supplier of Electrical and Electronic Components

Click to view similar products for [Rocker Switches](#) category:

Click to view products by [Legion](#) manufacturer:

Other Similar products are found below :

[LTI LA6E-1S-WH-RC-FN12VXCR1](#) [6-1571986-9](#) [8007K26N324V52](#) [8055K23Z7V](#) [8055K32Z7V](#) [8055K52Z7V](#) [8138K20E6M50](#)
[PREDD4-07F-BB0FW](#) [PREDD5-07F-BB0GW](#) [999-16716-002](#) [A101J1V3Q004](#) [A103J1ZQ004](#) [A201J1AQ004](#) [A201J50ZQ004](#)
[H8653VBBG2577W](#) [HB130CHNWWNAAC](#) [R13112ABB-602W](#) [1251.0303](#) [1352.0107](#) [1500G51E](#) [1571099-3](#) [1571987-4](#) [1571987-5](#)
[1571988-5](#) [B123J77V7B2](#) [160212E](#) [1634200-7](#) [1801.1164](#) [PANEL-PLUG-VHP-BLACK](#) [PANEL-PLUG-VHP-WT](#) [K2ABAAAAAA](#)
[250011E714](#) [2600R21E](#) [260413E](#) [2639LH/2A7/127000L0](#) [LL3AZXX-100-XGT1](#) [LL3AZXX-100-XHS1](#) [LL3AZXX-100-XSD1](#) [30-695B](#)
[160311E](#) [A103J3ZQ004](#) [A201J61ZQ0004](#) [1852.1102](#) [1890.1104](#) [191.081.011](#) [AE107J1AQ004](#) [1935.3128](#) [1935.3133](#) [1MR7-B](#)
[SY236CD6U622](#)