

# 承 認 書

## SPECIFICATION FOR APPROVAL

\*客戶名稱 : 海扬  
Customer name

\*產品名稱 : 翘板开关  
Product Description

\*產品型號 : SS11-BBIWG-R20-R  
Product part number

\*客戶料號 :  
Customer's material number

\*數量 : 0 PCS  
Quantity

\*日期 : 2023-09-14  
Date

供應商負責人簽名		客戶負責人確認簽回	
製作人	莫丽琴	承認人	
審核	郭远维	審核	
批准	王瑞宝	批准	

皓宇(香港)有限公司  
HAOYU (HONG KONG) LIMITED  
东莞市六均电子五金有限公司  
DONGGUAN CITY LEGION ELECTRONIC CO., LTD  
富力隆电子(深圳)有限公司  
ROCKTEK ELECTRONICS (SHENZHEN) CO. LTD  
東莞市石碣鎮四村第一工業區  
Sicun 1st Industrial park, Sicun,  
Shijie Town, Dongguan

電話 : (86) 769-82310511-2  
Tel No

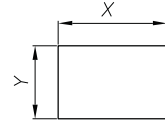
傳真 : (86) 769-82310510  
Fax No

郵箱 : [haoyu888@21cn.com](mailto:haoyu888@21cn.com)  
E - mail

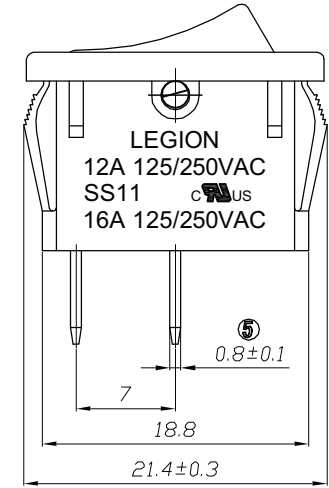
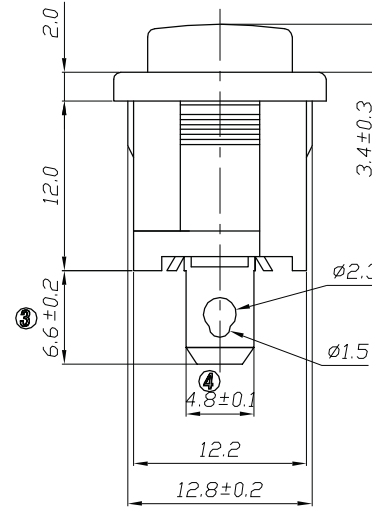
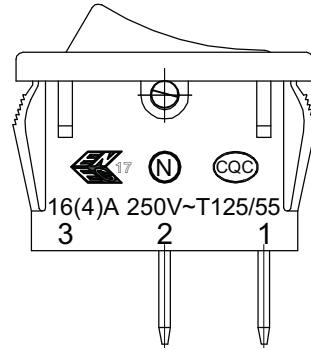
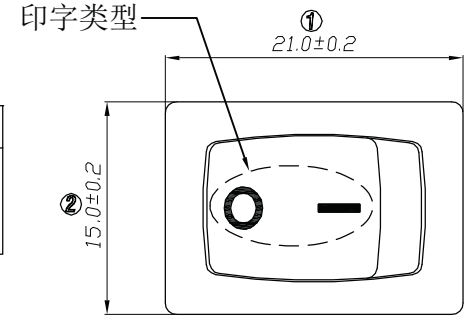
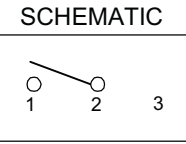
核 准 :  
Approved

品名	颜色		印字类型	备注
	上盖	基座		
SS11-EEIWG-R20-R	灰色	灰色		常规
SS11-BBAWG-R20-R	黑色	黑色		常规
SS11-BBDWG-R20-R	黑色	黑色		常规
SS11-BBIWG-R20-R	黑色	黑色		常规
SS11-BBIWG-R20-H	黑色	黑色		客户特殊要求
SS11-BBIWG-R20-Z	黑色	黑色		客户特殊要求
SS11-BBKWG-R20-R	黑色	黑色		
SS11-BBTWG-R20-R	黑色	黑色		常规
SS11-RBDWG-R20-R	红色	黑色		常规
SS11-RBIWG-R20-R	红色	黑色		常规
SS11-GBIWG-R20-R	绿色	黑色		常规
SS11-RBIWG-R20-B	红色	黑色		客户特殊要求
SS11-WWIBG-R20-R	白色	白色		常规
SS11-BBOWG-R20-R	黑色	黑色		常规
SS11-BBNG-R20-R	黑色	黑色		常规
SS11-WWIBG-R20-R(W2)	纯白色	纯白色		纯白色开关
SS11-EETWG-R20-R	灰色	灰色		常规
SS11-GBIWG-R20-H	绿色	黑色		客户特殊要求

PANEL CUTOOUT DIMENSION



PANEL THICKNESS	X	Y
0.8~1.2mm	19.2 <sup>+0</sup> <sub>-0.1</sub> mm	12.9 <sup>+0.1</sup> <sub>-0</sub> mm
1.3~2.0mm	19.4 <sup>+0</sup> <sub>-0.1</sub> mm	12.9 <sup>+0.1</sup> <sub>-0</sub> mm
2.1~2.5mm	19.8 <sup>+0</sup> <sub>-0.1</sub> mm	12.9 <sup>+0.1</sup> <sub>-0</sub> mm



1. 电路CIRCUIT: ON/OFF;
2. 快插端子 QUICK CONNECTOR TYPE; 单刀单掷 (SINGLE POLE DOUBLE THROW);
3. 额定值RATING: 16A 125/250VAC (UL;C-UL); 12A 125/250VAC (UL;C-UL); 16(4)A 250V~T125/55(ENEC17;NEMKO;CQC;CB)
4. 所有部件均使用环保材料  
ALL MATERIALS USE IN CONFORMIY WITH THE RoHS DIRECTIVE

NO	DESCRIPTION	NO	DESCRIPTION	DIMENSIONAL TOLERANCES	APPROVED	CHECKED	DESIGN	DRAWN	ALL SIZE ARE IN	MM	DRAWING NO. REV.	
5	增加灰色品名 2022.09.14	10		RANGE				LMC	SCALE	NO	WIF120070	A4
4	增加纯白色上盖 2022.06.30	9		TOLERANCE				2019.05.20	MAT'L	***		
3	增加纯白色上盖 2022.06.30	8		X					MATERIAL NO.			
2	增加绿色上盖 2021.06.02	7		X.X								
1	整理汇编	6		X.XX								
				ANGLES								

LEGION ELECTRONIC & HARDWARE CO., LTD.

# LEGION ELECTRONIC & HARDWARE CO., LTD.

## 翹板式開關 測試規格

### SS11 SERIES SWITCHES TEST SPECIFICATION

#### 1. TEST CONDITION (測試環境):

THE SWITCH IS TESTED AT A TEMPERATURE RANGE OF 0~125°C AND RELATIVE HUMIDITY RANGE OF 45~85%.

\* 環境溫度範圍：-40 ~ 125°C

\* 相對濕度範圍：45 ~ 85%

#### 2. RATING (額定):

(1) . 16A 125/250VAC FOR UL; C-UL

(2) . 12A 125/250VAC FOR UL; C-UL

(3) . 16(4)A 250V~T125/55 FOR ENEC17/NEMKO/CQC

#### 3. ELECTRICAL PERFORMANCE (電氣性能):

##### 3-1. CONTACT RESISTANCE (接觸電阻):

MEASURED BY FALL OF POTENTIAL METER AT DC 0.2 V/1A SHOULD BE LESS THAN 50mΩ INITIAL.

\* 以微電阻計在 **DC 0.2V/1A** 的測試規格值下，接觸電阻值應該小於 **50mΩ**。

##### 3-2. INSULATION RESISTANCE (絕緣電阻):

MEASURED WITH DC 500V APPLIED BETWEEN TERMINALS OF OPEN CONTACTS AND BETWEEN TERMINALS AND PLASTIC HOUSING, SHOULD BE MORE THAN 100MΩ.

\* 絕緣電阻計於 **DC 500V** 設定值下量測於開路的端子或端子與塑膠外壳及按鈕之間其絕緣電阻值應該大於 **100MΩ**。

##### 3-3 DIELECTRIC STRENGTH (耐電壓):

THE SWITCH SHALL WITHSTAND WITHOUT BREAKDOWN A POTENTIAL OF AC 1500V FOR 1 MINUTE BETWEEN TERMINALS OF OPEN CONTACTS AND TERMINALS OF OPPOSITE POLARITY, AC 3000V FOR 1 MINUTE BETWEEN TERMINALS AND METAL COVER.

\* 不同極的兩支端子開路時，必須通過一分鐘 0.5mA 1500VAC 的耐電壓。

\* 端子與外殼，必須通過一分鐘 0.5mA 3000VAC 的耐電壓。

#### 4. MECHANICAL PERFORMANCE(機械性能)：

4-1. OPERATION FORCE(操作力量)：500±200gf

4-2. TERMINAL STRENGTH (端子強度):

A STATIC FORCE OF 2 KGF BEING APPLIED IN ONE DIRECTION ON THE TIP OF THE TERMINAL FOR 1 MINUTE. THE TERMINAL MAY BE DEFORMED, BUT SHALL NOT SUSTAIN ANY TROUBLE AS DEVIATION AND BREAKING OF TERMINAL, AND BREAKING

OF INSULATION MATERIAL.

\* 施以固定 2.27Kgf(焊線/PCB 端子)或 8.5 Kgf (快插端子) 的力量於同一方向在端子的頂端一分鐘, 端子允許變型, 但是不可以有任何位移(偏向)與端子斷裂及絕緣材料的破裂.

**5. OVERLOAD AND ENDURANCE TEST (過負載與壽命測試):**

THE SWITCH SHALL BE OPERATED ACCORDING TO FOLLOWING TABLE

\* 開關應該依照下列表格的操作方式進行測試.

UL & C-UL STANDARD FOR 16A 125/250VAC (UL & C-UL 標準 FOR 16A 125/250VAC 焊線端子)

CONDITION 測試狀況	VOLTAGE 測試電壓	CURRENT 測試電流	P.F. 功率因素	OPERATION SPEED 操作速率	NUMBER OF OPERATION 操作次數	SAFETY APPLICATION 適用安規
OVERLOAD 過負載	125VAC	20A	0.75~0.8	8 CYCLES PER MINUTE 每分鐘 8 次	50 CYCLES 50 次	UL; C-UL
	250VAC					
ENDURANCE 壽命測試	125VAC	16A	0.75~0.8	8 CYCLES PER MINUTE 每分鐘 8 次	6000 CYCLES 6000 次	UL; C-UL
	250VAC					

**EUROPE STANDARD (歐洲標準)**

**INCREASED VOLTAGE TEST AT ACCELERATED SPEED (增加伏特數的加速測試)**

CONDITION 測試狀況	VOLTAGE 測試電壓	CURRENT 測試電流	P.F. 功率因素	OPERATION SPEED 操作速率	NUMBER OF OPERATION 操作次數	SAFETY APPLICATION 適用安規
MAKING 閉路	287.5VAC	27.6A	0.6	7.5 CYCLES PER MINUTE 每分鐘 7.5 次	100 CYCLES 100 次	ENEC17/NEMKO /CQC/CB
BREAKING 開路		16A	0.95			

**TEST AT LOW SPEED (低速測試)**

MAKING 閉路	250VAC	24A	0.6	7.5 CYCLES PER MINUTE 每分鐘 7.5 次	100 CYCLES 100 次	ENEC17/NEMKO /CQC/CB
BREAKING 開路		16A	0.95			

**TEST AT ACCELERATED SPEED (高速測試)**

MAKING 閉路	250VAC	24A	0.6	7.5 CYCLES PER MINUTE	9800 CYCLES 9800 次	ENEC17/NEMKO /CQC
BREAKING 開路		16A	0.95	每分鐘 7.5 次		

#### 6. TEMPERATURE TEST (溫升試驗):

THE TEMPERATURE TEST SHOULD BE TAKEN AFTER ENDURANCE TEST WITH ITS RATED CURRENT AND VOLTAGE.

THE TEMPERATURE RISING SHALL NOT BE MORE THAN 55°C.

\* 溫升測試應該於壽命測試結束後隨即測試，以同樣的電流與電壓量測，溫升值必須低於攝氏 55°.

#### 7. SOLDERING (焊錫特性):

IMMERSE THE TERMINAL LEADS INTO MOLTEN SOLDER AT TEMPERATURE OF 230±5°C FOR 3±0.5 SECONDS. MORE THAN 75% OF PART IMMersed SHOULD BE COVERED WITH SOLDER.

\* 端子浸入 230±5°C 溫度溶化的焊錫中 3±0.5 秒，75% 以上的部分應該被焊錫包覆。

#### 8. SOLDERING HEAT RESISTANCE OF BASE (基座抗熱性):

TEMPERATURE AND DURATION OF DIPPING

TYPE OF TERMINAL 端子型式	TEMPERATURE 溫度	DIPPING TIME 焊錫時間
TERMINAL FOR PCB WIRING * PCB 端子	260±5°C	5 SECONDS Max.
TERMINAL FOR LEAD WIRING * 焊線端子	350±5°C	3 SECONDS Max.

THERE SHALL NOT BE EXTREME DEFORMING IN APPEARANCE.

ELECTRICAL PERFORMANCE OF THE ABOVE ITEM 3 SHALL BE ASSURED.

\* 基座不可以有極度變形狀況發生。

\* 上文第 3 項的電子性能應該被保證。

#### 7. NOTICE (使用注意事項):

9-1. When welding, any pressure applied to the terminals may cause conditions as looseness, deformation of terminals and electrical degradations.

給端子進行焊接時，如果在端子上施加負荷，因條件不同會有鬆動、變形、及電特性退化的可能，請在使用時注意。

9-2. For second time welding job, please proceed welding after it is recovered to room temperature.

進行二次焊接時，請在第一次焊接部份恢復到常溫之后再進行。連續加熱可能使外圍部變形、端子鬆動，脫落及電特性降低。

9-3. Water-flux may cause switch corrosion, please don't use it.

焊接時，水溶劑助焊劑有可能腐蝕開關的可能，請避免使用。

9-4. Do not clean it with water.

不能用水清洗

9-5. After final assembly as a completed product, please make sure that there's no erosion

gas/materials released from peripheral parts/materials as it may causes contact failure of switches.

如果使用開關的整機的周邊材料產生腐蝕性氣體，有可能造成接觸不良等現象，所以請事先進行充分確認。

9-6. Storage:

保管方法:

a. Keep it stored under normal temperature, humidity and prevent from direct sunshine, erosion gas. Products should be used within 6 months.

產品以交貨時的狀態在常溫，常濕，不受直射陽光照射，不產生腐蝕性氣體的場所保管，自交貨起 6 個月以內為限度，請盡可能快的使用。

b. For small quantity which taken from main packages, please keep it in plastic bags and sealed. And have it storage under up-mentioned environment.

開封后未使用的，請用膠袋密封好，請在與上述所要求的環境下保管，並盡快使用。

c. Do not pile up products too high.

請不要過分地堆積。

修訂日期 REVISED DATE	修訂內容 DESCRIPTION	修訂者 REVISED BY	文件編號 FILE NO.	制定 WRITE BY	審核 CHECKED BY	核准 APPROVED BY
			SPEC-011	刘玉 2015/8/6	/	
2015/8/6	增加 10A、6A 额定	唐彪	版次 VERSION			
2009/6/8	資料整理	庄翠林	A 版 1 次			

Licence for use of the here shown ENEC conformity mark :



Based on:

**Agreement on the use of a commonly agreed Mark on Conformity for equipment complying with European Standards as of 12 November 1991 (in short ENEC Agreement), as revised latest by ENEC group April 16. 1997.**

Nemko hereby grants the following manufacturer as licensee the right to affix this ENEC mark on the product(s) specified below.

Product	Switches for appliances, rocker switch
Applicant	Legion Electronic Co., Ltd. FLAT/RM 609 6/F, KWONG SANG HONG CENTRE, 151-153 HOI BUN ROAD, KWUN TONG KL Hong Kong
Manufacturer	Dong Guan Legion Electronic & Hardware Co., Ltd. Room 402, Building 1, East Technology Road 198, Shijie town Dongguan City Guangdong Province China
Factory	Dong Guan Legion Electronic & Hardware Co., Ltd. Room 402, Building 1, East Technology Road 198, Shijie town Dongguan City Guangdong Province China <input type="checkbox"/> See next page(s)
Ratings	16(4)A 250V~; 1E4; T125/55
Trade mark	LEGION
Model / Type Ref.	SS24 Series
Principal characteristics	Rocker switch for use in Class II appliances, Code 1.2, 1.4, 2.3 and 2.5, full disconnection, 1E4 cycles, level 3, Pollution degree II, PTI 175, T125/55, with tab terminals. <input type="checkbox"/> See next page(s)
A sample of the product was tested and found to be in conformity with	INST EN IEC 61058-1:2018 EN 61058-1-1:2016
The conditions for this licence are that the ENEC-marked products conform with the applicable Standard(s) as stated in the Test Report with Order No:	465280 and 465280-1 This certificate replaces the certificate NO4587, due to changed in address of applicant, manufacturer and factory
and that Articles 8 and 9 of the ENEC Agreement are fulfilled by the manufacturer. The mark signifies the compliance of the completed products with these conditions. Further information is given in the attached Annex, which forms an obligatory part of this licence document. This licence has been issued under the presumption and conditional on the fact that the licensee holds all necessary legal rights with regard to the product presented for testing and certification.	
Additional model(s)	<input checked="" type="checkbox"/> See next page(s)

Date of issue 26-05-2022

Juan Z. Saussey  
Certification Department

**Nemko Group**

Philip Pedersens vei 11, 1366 Lysaker, Norway  
TEL +47 22 96 03 30 EMAIL info@nemko.com  
ENTERPRISE NUMBER NO974404532

Licence for use of the here shown ENEC conformity mark :



Product	Switches for appliances, rocker switch
Pos. No	1
Model / Type Ref.	SS11 Series
Trade mark (if different from page 1)	
Rating	10A 125/250V~ or 6A 125/250V~ or 16(4)A 125/250V~; 1E4, T125/55
Principal characteristics	Rocker switch for use in Class II appliances, Code 1.2 and 2.3, full disconnection, 1E4 cycles, level 3, Pollution degree II, PTI 175, T125/55, with tab terminal.

Date of issue 26-05-2022



Juan Z. Saussey

Certification Department

**Nemko Group**

Philip Pedersens vei 11, 1366 Lysaker, Norway  
TEL +47 22 96 03 30 EMAIL [info@nemko.com](mailto:info@nemko.com)  
ENTERPRISE NUMBER NO974404532



# CERTIFICATE

No. P20224753/A1



Order No. 465280

Page 1 of 2

Product	Switches for appliances, rocker switch
Applicant	Legion Electronic Co., Ltd. FLAT/RM 609 6/F, KWONG SANG HONG CENTRE, 151-153 HOI BUN ROAD, KWUN TONG KL Hong Kong
Manufacturer	Dong Guan Legion Electronic & Hardware Co., Ltd. Room 402, Building 1, East Technology Road 198, Shijie town Dongguan City Guangdong Province China
Factory	Dong Guan Legion Electronic & Hardware Co., Ltd. Room 402, Building 1, East Technology Road 198, Shijie town Dongguan City Guangdong Province China
Ratings	16(4)A 250V~; 1E4; T125/55
Trade mark	LEGION
Model / Type Ref.	SS24 Series
Principal characteristics	Rocker switch for use in Class II appliances, Code 1.2, 1.4, 2.3 and 2.5, full disconnection, 1E4 cycles, level 3, Pollution degree II, PTI 175, T125/55, with tab terminals.
A sample of the product was tested and found to be in conformity with	INST                    EN IEC 61058-1:2018 EN 61058-1-1:2016
Replaces	This certificate replaces previous certificate No. P20224753, due to changed in address of applicant, manufacturer and factory
Validity	This certificate documents conformity with the standards shown, and also applies as license for use of Nemkos name and certification mark. The certificate and license is valid as long as the applicable conditions are complied with, and provided that any changes to the product are notified to Nemko for acceptance prior to implementation. New standards or amendments to the standards may imply that the product design must be updated and/or that re-testing and re-certification is necessary.
Additional information	
Additional model(s)	(1) See page 2

Date of issue 26-05-2022

Juan Z. Saussey  
Certification Department

**Nemko Group**

Philip Pedersens vei 11, 1366 Lysaker, Norway  
TEL +47 22 96 03 30 EMAIL info@nemko.com  
ENTERPRISE NUMBER NO974404532



# CERTIFICATE

No. P20224753/A1



Order No. 465280

Page 2 of 2

## Additional model(s)

Product	Switches for appliances, rocker switch
Pos. No	1
Model / Type Ref.	SS11 Series
Trade mark (if different from page 1)	
Rating	10A 125/250V~ or 6A 125/250V~ or 16(4)A 125/250V~; 1E4, T125/55
Principal characteristics	Rocker switch for use in Class II appliances, Code 1.2 and 2.3, full disconnection, 1E4 cycles, level 3, Pollution degree II, PTI 175, T125/55, with tab terminal.

Date of issue 26-05-2022

Juan Z. Saussey

Certification Department

## Nemko Group

Philip Pedersens vei 11, 1366 Lysaker, Norway  
TEL +47 22 96 03 30 EMAIL info@nemko.com  
ENTERPRISE NUMBER NO974404532

UL Product iQ™



# WOYR2.E153399 - Switches, Appliance and Special Use - Component

## Switches, Appliance and Special Use - Component

**LEGION ELECTRONIC CO LTD**

E153399

Room M

4Th Fl, Continental Mansion

300 King's Rd

Hong Kong, Hong Kong

### Investigated to ANSI/UL 61058-1

Cat. No.	Load	Amps	Volts	Hz	Temp (°C)	Pol/ Cir	Endurance		IP	Dis (mm)	SPCA	Std. Ed.
							30C cycle	55C cycle				
<b>Appliance Switches "FR04 series"</b>												
<b>FR04 Series</b>	GP	3-26	125/250	50/60	40T125	1-4/1-Special	-	10K	30	full	A, B	-
	GP	3-26	125/250	50/60	40T85	1-4/1-Special	-	10K	30			
	R	3-26	125/250	50/60	40T125	1-4/1-Special	-	10K	30			
	R	3-26	125/250	50/60	40T85	1-4/1-Special	-	10K	30			
	R	3-20	12-42	DC	40T125	1-4/1-Special	-	10K	30			
	R	3-20	12-42	DC	40T85	1-4/1-Special	-	10K	30			
	RM	6-20(3-10)	125/250	50/60	40T125	1-4/1-Special	-	10K	30			
	RM	6-20(3-10)	125/250	50/60	40T85	1-4/1-Special	-	10K	30			
<b>Appliance Switches "RT-M1 series"</b>												
<b>RT-M1 Series</b>	GP	3-22	125/250	50/60	40T125	1/2-1.2	6K	50K	40	full	A	-
	R	3-22	125/250	50/60	40T125	1/2-1.2	6K	50K	40			
	R	3-22	12-42	DC	40T125	1/2-1.2	6K	50K	40			
	GP	3-22	125/250	50/60	40T85	1/2-1.2	6K	50K	40			

	R	3-22	125/250	50/60	40T85	1/2-1.2	6K	50K	40			
	R	3-22	12-42	DC	40T85	1/2-1.2	6K	50K	40			
	GP	3-22	125/250	50/60	40T125	1/2-1.2	6K	10K	40			
	R	3-22	125/250	50/60	40T125	1/2-1.2	6K	10K	40			
	R	3-22	12-42	DC	40T125	1/2-1.2	6K	10K	40			
	GP	3-22	125/250	50/60	40T85/125	1/2-1.2	6K	10K	40			
	R	3-22	125/250	50/60	40T85/125	1/2-1.2	6K	10K	40			
	R	3-22	12-42	DC	40T85/125	1/2-1.2	6K	10K	40			
	RM	6-22(3-13)	125/250	50/60	40T125	1/2-1.2	6K	50K	40			
	RM	6-22(3-13)	125/250	50/60	40T125	1/2-1.2	6K	10K	40			
	RM	6-22(3-13)	125/250	50/60	40T85	1/2-1.2	6K	50K	40			
	RM	6-22(3-13)	125/250	50/60	40T85	1/2-1.2	6K	10K	40			

### Appliance Switches "RT-M3"

<b>RT-M3 may be f/b any letters or digits: f/b A: f/b any letters or digits</b>	GP	50m-3	125/250	50/60	40T125	1/2-1.2	6K	10K	40	micro	20N02,09N01	-	
		GP	50m-1.5	125/250	50/60	40T125	1/2-1.2	6K	50K	40			
		R	50m-3	125/250	50/60	40T125	1/2-1.2	6K	10K	40			
		R	50m-1.5	125/250	50/60	40T125	1/2-1.2	6K	50K	40			
		RM	50m-3(1)	125/250	50/60	40T125	1/2-1.2	6K	10K	40			
		RM	50m-1.5(1)	125/250	50/60	40T125	1/2-1.2	6K	50K	40			
		R	50m-3	3-42	DC	40T125	1/2-1.2	6K	10K	40			
		R	50m-1.5	3-42	DC	40T125	1/2-1.2	6K	50K	40			
		GP	50m-3	125/250	50/60	40T125	1/2-2.3	6K	10K	40			
		GP	50m-1.5	125/250	50/60	40T125	1/2-2.3	6K	50K	40			
		R	50m-3	125/250	50/60	40T125	1/2-2.3	6K	10K	40			
		R	50m-1.5	125/250	50/60	40T125	1/2-2.3	6K	50K	40			
		RM	50m-3(1)	125/250	50/60	40T125	1/2-2.3	6K	10K	40			

	RM	50m-1.5(1)	125/250	50/60	40T125	1/2-2.3	6K	50K	40			
	R	50m-3	3-42	DC	40T125	1/2-2.3	6K	10K	40			
	R	50m-1.5	3-42	DC	40T125	1/2-2.3	6K	50K	40			
<b>RT-M3 may be f/b any letters or digits: f/b B or C: f/b any letters or digits</b>	GP	50m-3	125/250	50/60	40T125	1/1-1.2	6K	10K	40	micro	20N02,09N01	-
	GP	50m-1.5	125/250	50/60	40T125	1/1-1.2	6K	50K	40			
	R	50m-3	125/250	50/60	40T125	1/1-1.2	6K	10K	40			
	R	50m-1.5	125/250	50/60	40T125	1/1-1.2	6K	50K	40			
	RM	50m-3(1)	125/250	50/60	40T125	1/1-1.2	6K	10K	40			
	RM	50m-1.5(1)	125/250	50/60	40T125	1/1-1.2	6K	50K	40			
	R	50m-3	3-42	DC	40T125	1/1-1.2	6K	10K	40			
	R	50m-1.5	3-42	DC	40T125	1/1-1.2	6K	50K	40			
<b>Appliance Switches</b>												
<b>MFR01 may be f/b any letters or digits</b>	GP	1~8	125/250	50/60	40T125	1/M-1.2	6K	10K	40	micro	-	-
	GP	1~8	125/250	50/60	40T125	1/M-2.3	6K	10K	40			
	R	1~8	125/250	50/60	40T125	1/M-1.2	6K	10K	40			
	R	1~8	125/250	50/60	40T125	1/M-2.3	6K	10K	40			
	RM	1~8(1~3)	125/250	50/60	40T125	1/M-1.2	6K	10K	40			
	RM	1~8(1~3)	125/250	50/60	40T125	1/M-2.3	6K	10K	40			
	R	1~8	3~42	DC	40T125	1/M-1.2	6K	10K	40			
	R	1~8	3~42	DC	40T125	1/M-2.3	6K	10K	40			
<b>MPS11</b>	GP	1~16	125/250	50/60	40T125	1/1-1.2	6K	10K	40	micro	-	-
	GP	1~12	125/250	50/60	40T125	1/1-1.2	6K	50K	40			

	R	1~16	125/250	50/60	40T125	1/1-1.2	6K	10K	40			
	R	1~12	125/250	50/60	40T125	1/1-1.2	6K	50K	40			
	RM	1~16(1~6)	125/250	50/60	40T125	1/1-1.2	6K	10K	40			
	RM	1~12(1~4)	125/250	50/60	40T125	1/1-1.2	6K	50K	40			
	R	1~16	3~42	DC	40T125	1/1-1.2	6K	10K	40			
	R	1~12	3~42	DC	40T125	1/1-1.2	6K	50K	40			
	TV	5	125/250	50/60	40T125	1/1-1.2	10K	25K	40			
<b>MPS21 may be f/b any letters or digits</b>	GP	16	125/250	50/60	T125	2/1-1.3	6K	10K	-	full 2.5	-	-
	hp	3/4	125/250	50/60	T125	2/1-1.3	6K	10K	-			
<b>MPS21 may be f/b any letters, may be f/b S1 or S2, may be f/b any letters</b>	GP	16	125/250	50/60	T125	1/1-1.2	6K	10K	-	full 2.5	-	-
	hp	3/4	125/250	50/60	T125	1/1-1.2	6K	10K	-			
<b>RT-M3 may be f/b any letters or digits: f/b B or C: f/b any letters or digits</b>	GP	50m-3	125/250	50/60	40T125/55	1/1-1.2	6K	10K	40	micro	20N02,09N01	-
	GP	50m-1.5	125/250	50/60	40T125/55	1/1-1.2	6K	50K	40			
	R	50m-3	125/250	50/60	40T125/55	1/1-1.2	6K	10K	40			
	R	50m-1.5	125/250	50/60	40T125/55	1/1-1.2	6K	50K	40			

	RM	50m-3(1)	125/250	50/60	40T125/55	1/1-1.2	6K	10K	40			
	RM	50m-1.5(1)	125/250	50/60	40T125/55	1/1-1.2	6K	50K	40			
	R	50m-3	125/250	DC	40T125/55	1/1-1.2	6K	10K	40			
	R	50m-1.5	125/250	DC	40T125/55	1/1-1.2	6K	50K	40			
<b>SS01 may be f/b any letters or digits</b>	GP	1~8	125/250	50/60	40T125/55	1/1-1.2	6K	10K	40	micro	-	-
	GP	1~6	125/250	50/60	40T125/55	1/1-1.2	6K	50K	40			
	R	1~8	125/250	50/60	40T125/55	1/1-1.2	6K	10K	40			
	R	1~6	125/250	50/60	40T125/55	1/1-1.2	6K	50K	40			
	RM	1~8(1~3)	125/250	50/60	40T125/55	1/1-1.2	6K	10K	40			
	RM	1~6(1~2)	125/250	50/60	40T125/55	1/1-1.2	6K	50K	40			
	R	1~8	3~42	DC	40T125/55	1/1-1.2	6K	10K	40			
	R	1~6	3~42	DC	40T125/55	1/1-1.2	6K	50K	40			
<b>SS11 may be f/b any letters or digits, f/b 20 , may be f/b any letters or digits</b>	GP	1-21	125/250	50/60	40T125	1/1-1.2	6K	10K	40	full	-	-
	GP	1-16	125/250	50/60	40T125	1/1-1.2	6K	50K	40			
	GP	1-16	125/250	50/60	40T125	1/1-1.2	6K	10K	40			
	R	1-21	125/250	50/60	40T125	1/1-1.2	6K	10K	40			
	R	1-16	125/250	50/60	40T125	1/1-1.2	6K	50K	40			
	R	1-16	125/250	50/60	40T125	1/1-1.2	6K	10K	40			
	RM	1-21(1-6)	125/250	50/60	40T125	1/1-1.2	6K	10K	40			
	RM	1-16(1-6)	125/250	50/60	40T125	1/1-1.2	6K	50K	40			
	RM	1-16(1-6)	125/250	50/60	40T125	1/1-1.2	6K	10K	40			
	R	1-21	3-42	DC	40T125	1/1-1.2	6K	10K	40			

	R	1-16	3-42	DC	40T125	1/1-1.2	6K	50K	40			
	R	1-16	3-42	DC	40T125	1/1-1.2	6K	10K	40			
<b>SS11 may be f/b any letters or digits, f/b 30 , may be f/b any letters or digits</b>	GP	1-21	125/250	50/60	40T125	1/2-2.3	6K	10K	40	full	-	-
	GP	1-21	125/250	50/60	40T125	1/2-1.2	6K	10K	40			
	GP	1-16	125/250	50/60	40T125	1/2-2.3	6K	50K	40			
	GP	1-16	125/250	50/60	40T125	1/2-1.2	6K	50K	40			
	GP	1-16	125/250	50/60	40T125	1/2-2.3	6K	10K	40			
	GP	1-16	125/250	50/60	40T125	1/2-1.2	6K	10K	40			
	R	1-21	125/250	50/60	40T125	1/2-2.3	6K	10K	40			
	R	1-21	125/250	50/60	40T125	1/2-1.2	6K	10K	40			
	R	1-16	125/250	50/60	40T125	1/2-2.3	6K	50K	40			
	R	1-16	125/250	50/60	40T125	1/2-1.2	6K	50K	40			
	R	1-16	125/250	50/60	40T125	1/2-2.3	6K	10K	40			
	R	1-16	125/250	50/60	40T125	1/2-1.2	6K	10K	40			
	RM	1-21(1-6)	125/250	50/60	40T125	1/2-2.3	6K	10K	40			
	RM	1-21(1-6)	125/250	50/60	40T125	1/2-1.2	6K	10K	40			
	RM	1-16(1-6)	125/250	50/60	40T125	1/2-2.3	6K	50K	40			
	RM	1-16(1-6)	125/250	50/60	40T125	1/2-1.2	6K	50K	40			
	RM	1-16(1-6)	125/250	50/60	40T125	1/2-2.3	6K	10K	40			
	RM	1-16(1-6)	125/250	50/60	40T125	1/2-1.2	6K	10K	40			
	R	1-21	3-42	DC	40T125	1/2-2.3	6K	10K	40			
	R	1-21	3-42	DC	40T125	1/2-1.2	6K	10K	40			
	R	1-16	3-42	DC	40T125	1/2-2.3	6K	50K	40			
	R	1-16	3-42	DC	40T125	1/2-1.2	6K	50K	40			
	R	1-16	3-42	DC	40T125	1/2-2.3	6K	10K	40			



	R	1-16	3-42	DC	40T125	1/2-1.2	6K	10K	40			
<b>SS21 may be f/b any letters or digits</b>	GP	21	125/250	50/60	T125/55	2/1-1.3	6K	10K	40	full 2.5	-	-
	GP	10	125/250	50/60	T125/55	2/1-1.3	6K	10K	40			
	R	21	125/250	50/60	T125/55	2/1-1.3	6K	10K	40			
	R	10	125/250	50/60	T125/55	2/1-1.3	6K	10K	40			
	RM	16(6)	125/250	50/60	T125/55	2/1-1.3	6K	10K	40			
	RM	12(4)	125/250	50/60	T125/55	2/1-1.3	6K	10K	40			
	R	6-15	25-50	DC	T125/55	2/1-1.3	6K	10K	40			
	R	6-15	25-50	DC	T85/55	2/1-1.3	6K	10K	40			
<b>SS21 may be f/b any letters or digits, f/b L, may be f/b any letters or digits</b>	GP	21	125/250	50/60	T125/55	2/1-1.3	6K	10K	40	full 2.5	-	-
	GP	10	125/250	50/60	T125/55	2/1-1.3	6K	10K	40			
	R	21	125/250	50/60	T125/55	2/1-1.3	6K	10K	40			
	R	10	125/250	50/60	T125/55	2/1-1.3	6K	10K	40			
	RM	16(6)	125/250	50/60	T125/55	2/1-1.3	6K	10K	40			
	RM	12(4)	125/250	50/60	T125/55	2/1-1.3	6K	10K	40			
	R	6-15	25-50	DC	T125/55	2/1-1.3	6K	10K	40			
	R	6-15	25-50	DC	T85/55	2/1-1.3	6K	10K	40			

<b>SS21 may be f/b any letters or digits, may be f/b S1 or S2 may be f/b any letters or digits</b>	GP	21	125/250	50/60	T125/55	1/1-1.2	6K	10K	40	full 2.5	-	-
	GP	10	125/250	50/60	T125/55	1/1-1.2	6K	10K	40			
	R	21	125/250	50/60	T125/55	1/1-1.2	6K	10K	40			
	R	10	125/250	50/60	T125/55	1/1-1.2	6K	10K	40			
	RM	16(6)	125/250	50/60	T125/55	1/1-1.2	6K	10K	40			
	RM	12(4)	125/250	50/60	T125/55	1/1-1.2	6K	10K	40			
	R	6-15	25-50	DC	T125/55	1/1-1.2	6K	10K	40			
	R	6-15	25-50	DC	T85/55	1/1-1.2	6K	10K	40			
<b>VS14 may be f/b any letter, may be f/b 12, 13 or 14 may be f/b any letters or digits</b>	GP	1-16	125/250	50/60	40T125	1/M-1.2	6K	10K	20	full 3.7	-	-
	GP	1-10	125/250	50/60	40T125	1/M-1.2	6K	50K	20			
	R	1-16	125/250	50/60	40T125	1/M-1.2	6K	10K	20			
	R	1-10	125/250	50/60	40T125	1/M-1.2	6K	50K	20			
	RM	1-16(1-3)	125/250	50/60	40T125	1/M-1.2	6K	10K	20			
	RM	1-10(1-2)	125/250	50/60	40T125	1/M-1.2	6K	50K	20			
	R	1-16	3-42	DC	40T125	1/M-1.2	6K	10K	20			
	R	1-10	3-42	DC	40T125	1/M-1.2	6K	50K	20			

<b>VS14 may be f/b any letter, may be f/b 22, 23 or 24 may be f/b any letters or digits</b>	GP	1-16	125/250	50/60	40T125	2/M-1.3	6K	10K	20	full 3.7	-	-
	GP	1-16	125/250	50/60	40T125	2/M-1.5	6K	10K	20			
	GP	1-10	125/250	50/60	40T125	2/M-1.3	6K	50K	20			
	GP	1-10	125/250	50/60	40T125	2/M-1.5	6K	50K	20			
	R	1-16	125/250	50/60	40T125	2/M-1.3	6K	10K	20			
	R	1-16	125/250	50/60	40T125	2/M-1.5	6K	10K	20			
	R	1-10	125/250	50/60	40T125	2/M-1.3	6K	50K	20			
	R	1-10	125/250	50/60	40T125	2/M-1.5	6K	50K	20			
	RM	1-16(1-3)	125/250	50/60	40T125	2/M-1.3	6K	10K	20			
	RM	1-16(1-3)	125/250	50/60	40T125	2/M-1.5	6K	10K	20			
	RM	1-10(1-2)	125/250	50/60	40T125	2/M-1.3	6K	50K	20			
	RM	1-10(1-2)	125/250	50/60	40T125	2/M-1.5	6K	50K	20			
	R	1-16	3-42	DC	40T125	2/M-1.3	6K	10K	20			
	R	1-16	3-42	DC	40T125	2/M-1.5	6K	10K	20			
R	1-10	3-42	DC	40T125	2/M-1.3	6K	50K	20				
R	1-10	3-42	DC	40T125	2/M-1.5	6K	50K	20				

**Investigated to ANSI/UL 1054**

Cat. No.	Amps	Volts	Hz	Load	Endur- ance	Temp (°C)	POL/ THR	Circuit Code	SPCOA
<b>AS2208</b>	6	125	60	GP	-	55	2/2	-/B	A1
	3	250	60	GP	-				
<b>AS2304</b>	13	125	60	GP	-	55	2/3	-/B	A1
	6.5	250	60	GP	-				
<b>EPS11</b>	10	125	60	GP	6K	55	1/1	-/-	-
	10	250	60	GP	6K				

	-	-	-	GP	-				
	-	-	-	GP	-				
<b>EPS21</b>	10	125	60	GP	6K	55	2/1	PP/D1	-
	10	250	60	GP	6K				
	-	-	-	GP	-				
	-	-	-	GP	-				
<b>FR01 f/b A1, A2 or A3, f/b F0 or F1, f/b L1</b>	6	125	60	GP	6K	65	1/M	-/-	Note 6(16 thru 20 AWG)
	6	250	60	GP	6K				
<b>MFR01 f/b A1, f/b F or M, f/b 04, 05, 06, 07, 08, 09 or 10, f/b L1</b>	8	125	60	GP	6K	65	1/M	-/-	-
	8	250	60	GP	6K				
<b>MPS11</b>	16	125	60	GP	6K	85	1/1	PP/-	-
	10	250	60	GP	6K				
	5	125	60	TV	25K				
<b>MPS21 f/b letter; f/b letter; f/b A or B; f/b Q; f/b M or Blank; f/b S or D; f/b -L or Blank; f/b 2 or Blank; f/b 2 or Blank; f/b -R or Blank)</b>	16	125	50/60	GP	6K	65	2/1	PP/D1	Note 2
	16	250	50/60	GP	6K				
	-	125	50/60	3/4hp	6K				
	-	250	50/60	3/4hp	6K				
<b>OVS-1 f/b A, B, C or D</b>	12	125	60	GP	6K	150	M/M	PP/-	-
	12	250	60	GP	6K				
<b>PS01-X-X-X</b>	3	250	60	GP	6K	85	1/1	-/A	-
	6	125	60	GP	6K				
	6	125	60	L	6K				
<b>SS11 f/b Letters, Numbers or Blank, f/b Q or S, f/b -Letters, -Numbers or Blank, f/b 20 or 30, f/b -Letters, -Numbers or Blank .</b>	12	125	60	GP	6K	65	1/1,2/2	-/A	-
	12	250	60	GP	6K				
	16	125	60	GP	6K				


	16	250	60	GP	6K				
	10	125	60	GP	6K				
	10	250	60	GP	6K				
	6	125	60	GP	6K				
	6	250	60	GP	6K				
<b>SS21, f/b suffixes</b>	10	125	60	GP	6K	65	2/1	PP/C	-
	10	250	60	GP	6K				
<b>SS21, f/b suffixes, f/b -S</b>	10	125	60	GP	6K	65	1/1	-/A	-
	10	250	60	GP	6K				
<b>SS24 f/b Letters, Numbers or Blank, f/b Q or S, f/b -Letters, -Numbers or Blank, f/b 40 or 60, f/b -Letters, -Numbers or Blank .</b>	12	125	60	GP	6K	65	2/2 or 2/1	PP/D1	-
	12	250	60	GP	6K				
	10	125	60	GP	6K				
	10	250	60	GP	6K				
	6	125	60	GP	6K				
	6	250	60	GP	6K				
	16	125	60	GP	6K				
	16	250	60	GP	6K				
<b>SS31 f/b letters; f/b Q, S or C; f/b R, F or L; f/b D; f/b 40, 41; f/b L or blank; f/b letters or numbers or blank.</b>	16	125	50/60	GP	6K	65	2/1	PP/C	2,3
	16	250	50/60	GP	6K				
	-	125	50/60	3/4hp	6K				
	-	250	50/60	3/4hp	6K				
<b>SS31 f/b letters; f/b Q, S or C; f/b R, F or L; f/b D; f/b 60; f/b L or blank; f/b letters or numbers or blank.</b>	16	125	50/60	GP	6K	65	2/2	PP/C	2, 3
	16	250	50/60	GP	6K				
	-	125	50/60	3/4hp	6K				
	-	250	50/60	3/4hp	6K				

<b>SS31 f/b letters; f/b Q, S or C; f/b R, F or L; f/b S; f/b 20 or 21; f/b L or blank; f/b letters or numbers or blank.</b>	16	125	50/60	GP	6K	65	1/1	-/A	2, 3
	16	250	50/60	GP	6K				
	-	125	50/60	3/4hp	6K				
	-	250	50/60	3/4hp	6K				
<b>SS31 f/b letters; f/b Q, S or C; f/b R, F or L; f/b T; f/b 40, 41; f/b L or blank; f/b letters or numbers or blank.</b>	16	125	50/60	GP	6K	65	2/1	PP/C	2, 3
	16	250	50/60	GP	6K				
	-	125	50/60	3/4hp	6K				
	-	250	50/60	3/4hp	6K				
<b>SS31 f/b letters; f/b Q, S or C; f/b R, F or L; f/b T; f/b 60; f/b L or blank; f/b letters or numbers or blank.</b>	16	125	50/60	GP	6K	65	2/2	PP/C	2, 3
	16	250	50/60	GP	6K				
	-	125	50/60	3/4hp	6K				
	-	250	50/60	3/4hp	6K				
<b>SS31 f/b letters; f/b Q, S or C; f/b R, F; f/b S; f/b 30; f/b letters or numbers or blank.</b>	16	125	50/60	GP	6K	65	1/2	-/A	3
	16	250	50/60	GP	6K				
	-	125	50/60	3/4hp	6K				
	-	250	50/60	3/4hp	6K				
<b>VS12 f/b M or H, f/b 11, 12</b>	12	125	60	GP	-	65	1/M	-/-	-
	12	250	60	GP	-				
	6	125	60	GP	-				
	3	250	60	GP	-				
	2	125	60	GP	-				
	1	250	60	GP	-				
<b>VS34 f/b, M or H, f/b 11, 12, 21 or 22</b>	12	125	60	GP	-	55	M/M	-/-	-
	12	250	60	GP	-				

Note 2 - These are lighted switches employing a lamp. The usable lamp life has not been evaluated.

Note 6 - The switch employs push-in terminals. These have been evaluated for use with solid and solder dipped stranded conductors of a

specified size (shown within parenthesis in AWG).

Marking: Company name or tradename "LEGION", catalog, model Or part number, electrical ratings and the Recognized Component Mark,  On the product Or On the smallest unit container In which the product Is packaged.

Last Updated on 2021-04-25

---

并不是所有出现在本数据库中的公司名称和产品都满足了UL 跟踪检验服务的要求。只有带有 UL 标志的产品，才应该被视为经过UL认证，并满足UL 跟踪检验服务的要求。注意查看产品上的标志。

UL 允许在线认证目录中所含材料的复制遵循以下条件：1.指南信息、装配、构造、设计、系统和/或认证（文件）必须在不篡改任何数据（或图纸）的情况下完整且无误性地呈现。2.“经 UL 允许从在线认证目录转载”声明必须出现在所摘取材料的邻近位置。此外，转载材料必须包含以下格式的版权声明：“© 2021 UL LLC”

UL Product iQ™



# WOYR8.E153399 - Switches, Appliance and Special Use Certified for Canada - Component

## Switches, Appliance and Special Use Certified for Canada - Component

**LEGION ELECTRONIC CO LTD**

E153399

Room M  
4Th Fl, Continental Mansion  
300 King's Rd  
Hong Kong, Hong Kong

**Investigated to CAN/CSA-C22.2 No. 61058-1**

Cat. No.	Load	Amps	Volts	Hz	Temp (°C)	Pol/ Cir	Endurance		IP	Dis (mm)	SPCA	Std. Ed.
							30C cycle	55C cycle				
<b>Appliance Switches "FR04 series"</b>												
<b>FR04 Series</b>	GP	3-26	125/250	50/60	40T125	1-4/1-Special	-	10K	30	full	A, B	-
	GP	3-26	125/250	50/60	40T85	1-4/1-Special	-	10K	30			
	R	3-26	125/250	50/60	40T125	1-4/1-Special	-	10K	30			
	R	3-26	125/250	50/60	40T85	1-4/1-Special	-	10K	30			
	R	3-20	12-42	DC	40T125	1-4/1-Special	-	10K	30			
	R	3-20	12-42	DC	40T85	1-4/1-Special	-	10K	30			
	RM	6-20(3-10)	125/250	50/60	40T125	1-4/1-Special	-	10K	30			
	RM	6-20(3-10)	125/250	50/60	40T85	1-4/1-Special	-	10K	30			
<b>Appliance Switches "RT-M1 series"</b>												
<b>RT-M1 Series</b>	GP	3-22	125/250	50/60	40T125	1/2-1.2	6K	50K	40	full	A	-
	R	3-22	125/250	50/60	40T125	1/2-1.2	6K	50K	40			
	R	3-22	12-42	DC	40T125	1/2-1.2	6K	50K	40			



	GP	3-22	125/250	50/60	40T85	1/2-1.2	6K	50K	40			
	R	3-22	125/250	50/60	40T85	1/2-1.2	6K	50K	40			
	R	3-22	12-42	DC	40T85	1/2-1.2	6K	50K	40			
	GP	3-22	125/250	50/60	40T125	1/2-1.2	6K	10K	40			
	R	3-22	125/250	50/60	40T125	1/2-1.2	6K	10K	40			
	R	3-22	12-42	DC	40T125	1/2-1.2	6K	10K	40			
	GP	3-22	125/250	50/60	40T85/125	1/2-1.2	6K	10K	40			
	R	3-22	125/250	50/60	40T85/125	1/2-1.2	6K	10K	40			
	R	3-22	12-42	DC	40T85/125	1/2-1.2	6K	10K	40			
	RM	6-22(3-13)	125/250	50/60	40T125	1/2-1.2	6K	50K	40			
	RM	6-22(3-13)	125/250	50/60	40T125	1/2-1.2	6K	10K	40			
	RM	6-22(3-13)	125/250	50/60	40T85	1/2-1.2	6K	50K	40			
	RM	6-22(3-13)	125/250	50/60	40T85	1/2-1.2	6K	10K	40			
<b>Appliance Switches "RT-M3"</b>												
<b>RT-M3 may be f/b any letters or digits: f/b A: f/b any letters or digits</b>	GP	50m-3	125/250	50/60	40T125	1/2-1.2	6K	10K	40	micro	20N02,09N01	-
	GP	50m-1.5	125/250	50/60	40T125	1/2-1.2	6K	50K	40			
	R	50m-3	125/250	50/60	40T125	1/2-1.2	6K	10K	40			
	R	50m-1.5	125/250	50/60	40T125	1/2-1.2	6K	50K	40			
	RM	50m-3(1)	125/250	50/60	40T125	1/2-1.2	6K	10K	40			
	RM	50m-1.5(1)	125/250	50/60	40T125	1/2-1.2	6K	50K	40			
	R	50m-3	3-42	DC	40T125	1/2-1.2	6K	10K	40			
	R	50m-1.5	3-42	DC	40T125	1/2-1.2	6K	50K	40			
	GP	50m-3	125/250	50/60	40T125	1/2-2.3	6K	10K	40			
	GP	50m-1.5	125/250	50/60	40T125	1/2-2.3	6K	50K	40			
	R	50m-3	125/250	50/60	40T125	1/2-2.3	6K	10K	40			
	R	50m-1.5	125/250	50/60	40T125	1/2-2.3	6K	50K	40			

	RM	50m-3(1)	125/250	50/60	40T125	1/2-2.3	6K	10K	40			
	RM	50m-1.5(1)	125/250	50/60	40T125	1/2-2.3	6K	50K	40			
	R	50m-3	3-42	DC	40T125	1/2-2.3	6K	10K	40			
	R	50m-1.5	3-42	DC	40T125	1/2-2.3	6K	50K	40			
<b>RT-M3 may be f/b any letters or digits: f/b B or C: f/b any letters or digits</b>	GP	50m-3	125/250	50/60	40T125	1/1-1.2	6K	10K	40	micro	20N02,09N01	-
	GP	50m-1.5	125/250	50/60	40T125	1/1-1.2	6K	50K	40			
	R	50m-3	125/250	50/60	40T125	1/1-1.2	6K	10K	40			
	R	50m-1.5	125/250	50/60	40T125	1/1-1.2	6K	50K	40			
	RM	50m-3(1)	125/250	50/60	40T125	1/1-1.2	6K	10K	40			
	RM	50m-1.5(1)	125/250	50/60	40T125	1/1-1.2	6K	50K	40			
	R	50m-3	3-42	DC	40T125	1/1-1.2	6K	10K	40			
	R	50m-1.5	3-42	DC	40T125	1/1-1.2	6K	50K	40			
<b>Appliance Switches</b>												
<b>MFR01 may be f/b any letters or digits</b>	GP	1~8	125/250	50/60	40T125	1/M-1.2	6K	10K	40	micro	-	-
	GP	1~8	125/250	50/60	40T125	1/M-2.3	6K	10K	40			
	R	1~8	125/250	50/60	40T125	1/M-1.2	6K	10K	40			
	R	1~8	125/250	50/60	40T125	1/M-2.3	6K	10K	40			
	RM	1~8(1~3)	125/250	50/60	40T125	1/M-1.2	6K	10K	40			
	RM	1~8(1~3)	125/250	50/60	40T125	1/M-2.3	6K	10K	40			
	R	1~8	3~42	DC	40T125	1/M-1.2	6K	10K	40			
	R	1~8	3~42	DC	40T125	1/M-2.3	6K	10K	40			
<b>MPS11</b>	GP	1~16	125/250	50/60	40T125	1/1-1.2	6K	10K	40	micro	-	-

	GP	1~12	125/250	50/60	40T125	1/1-1.2	6K	50K	40				
	R	1~16	125/250	50/60	40T125	1/1-1.2	6K	10K	40				
	R	1~12	125/250	50/60	40T125	1/1-1.2	6K	50K	40				
	RM	1~16(1~6)	125/250	50/60	40T125	1/1-1.2	6K	10K	40				
	RM	1~12(1~4)	125/250	50/60	40T125	1/1-1.2	6K	50K	40				
	R	1~16	3~42	DC	40T125	1/1-1.2	6K	10K	40				
	R	1~12	3~42	DC	40T125	1/1-1.2	6K	50K	40				
	TV	5	125/250	50/60	40T125	1/1-1.2	10K	25K	40				
	<b>MPS21 may be f/b any letters or digits</b>	GP	16	125/250	50/60	T125	2/1-1.3	6K	10K	-	full 2.5	-	-
	hp	3/4	125/250	50/60	T125	2/1-1.3	6K	10K	-				
	<b>MPS21 may be f/b any letters, may be f/b S1 or S2, may be f/b any letters</b>	GP	16	125/250	50/60	T125	1/1-1.2	6K	10K	-	full 2.5	-	-
	hp	3/4	125/250	50/60	T125	1/1-1.2	6K	10K	-				
	<b>RT-M3 may be f/b any letters or digits: f/b B or C: f/b any letters or digits</b>	GP	50m-3	125/250	50/60	40T125/55	1/1-1.2	6K	10K	40	micro	20N02,09N01	-
	GP	50m-1.5	125/250	50/60	40T125/55	1/1-1.2	6K	50K	40				
	R	50m-3	125/250	50/60	40T125/55	1/1-1.2	6K	10K	40				

	R	50m-1.5	125/250	50/60	40T125/55	1/1-1.2	6K	50K	40			
	RM	50m-3(1)	125/250	50/60	40T125/55	1/1-1.2	6K	10K	40			
	RM	50m-1.5(1)	125/250	50/60	40T125/55	1/1-1.2	6K	50K	40			
	R	50m-3	125/250	DC	40T125/55	1/1-1.2	6K	10K	40			
	R	50m-1.5	125/250	DC	40T125/55	1/1-1.2	6K	50K	40			
<b>SS01 may be f/b any letters or digits</b>	GP	1~8	125/250	50/60	40T125/55	1/1-1.2	6K	10K	40	micro	-	-
	GP	1~6	125/250	50/60	40T125/55	1/1-1.2	6K	50K	40			
	R	1~8	125/250	50/60	40T125/55	1/1-1.2	6K	10K	40			
	R	1~6	125/250	50/60	40T125/55	1/1-1.2	6K	50K	40			
	RM	1~8(1~3)	125/250	50/60	40T125/55	1/1-1.2	6K	10K	40			
	RM	1~6(1~2)	125/250	50/60	40T125/55	1/1-1.2	6K	50K	40			
	R	1~8	3~42	DC	40T125/55	1/1-1.2	6K	10K	40			
	R	1~6	3~42	DC	40T125/55	1/1-1.2	6K	50K	40			
<b>SS11 may be f/b any letters or digits, f/b 20 , may be f/b any letters or digits</b>	GP	1-21	125/250	50/60	40T125	1/1-1.2	6K	10K	40	full	-	-
	GP	1-16	125/250	50/60	40T125	1/1-1.2	6K	50K	40			
	GP	1-16	125/250	50/60	40T125	1/1-1.2	6K	10K	40			
	R	1-21	125/250	50/60	40T125	1/1-1.2	6K	10K	40			
	R	1-16	125/250	50/60	40T125	1/1-1.2	6K	50K	40			
	R	1-16	125/250	50/60	40T125	1/1-1.2	6K	10K	40			
	RM	1-21(1-6)	125/250	50/60	40T125	1/1-1.2	6K	10K	40			
	RM	1-16(1-6)	125/250	50/60	40T125	1/1-1.2	6K	50K	40			
	RM	1-16(1-6)	125/250	50/60	40T125	1/1-1.2	6K	10K	40			

	R	1-21	3-42	DC	40T125	1/1-1.2	6K	10K	40			
	R	1-16	3-42	DC	40T125	1/1-1.2	6K	50K	40			
	R	1-16	3-42	DC	40T125	1/1-1.2	6K	10K	40			
<b>SS11 may be f/b any letters or digits, f/b 30 , may be f/b any letters or digits</b>	GP	1-21	125/250	50/60	40T125	1/2-2.3	6K	10K	40	full	-	-
	GP	1-21	125/250	50/60	40T125	1/2-1.2	6K	10K	40			
	GP	1-16	125/250	50/60	40T125	1/2-2.3	6K	50K	40			
	GP	1-16	125/250	50/60	40T125	1/2-1.2	6K	50K	40			
	GP	1-16	125/250	50/60	40T125	1/2-2.3	6K	10K	40			
	GP	1-16	125/250	50/60	40T125	1/2-1.2	6K	10K	40			
	R	1-21	125/250	50/60	40T125	1/2-2.3	6K	10K	40			
	R	1-21	125/250	50/60	40T125	1/2-1.2	6K	10K	40			
	R	1-16	125/250	50/60	40T125	1/2-2.3	6K	50K	40			
	R	1-16	125/250	50/60	40T125	1/2-1.2	6K	50K	40			
	R	1-16	125/250	50/60	40T125	1/2-2.3	6K	10K	40			
	R	1-16	125/250	50/60	40T125	1/2-1.2	6K	10K	40			
	RM	1-21(1-6)	125/250	50/60	40T125	1/2-2.3	6K	10K	40			
	RM	1-21(1-6)	125/250	50/60	40T125	1/2-1.2	6K	10K	40			
	RM	1-16(1-6)	125/250	50/60	40T125	1/2-2.3	6K	50K	40			
	RM	1-16(1-6)	125/250	50/60	40T125	1/2-1.2	6K	50K	40			
	RM	1-16(1-6)	125/250	50/60	40T125	1/2-2.3	6K	10K	40			
	RM	1-16(1-6)	125/250	50/60	40T125	1/2-1.2	6K	10K	40			
	R	1-21	3-42	DC	40T125	1/2-2.3	6K	10K	40			
	R	1-21	3-42	DC	40T125	1/2-1.2	6K	10K	40			
	R	1-16	3-42	DC	40T125	1/2-2.3	6K	50K	40			
	R	1-16	3-42	DC	40T125	1/2-1.2	6K	50K	40			

	R	1-16	3-42	DC	40T125	1/2-2.3	6K	10K	40			
	R	1-16	3-42	DC	40T125	1/2-1.2	6K	10K	40			
<b>SS21 may be f/b any letters or digits</b>	GP	21	125/250	50/60	T125/55	2/1-1.3	6K	10K	40	full 2.5	-	-
	GP	10	125/250	50/60	T125/55	2/1-1.3	6K	10K	40			
	R	21	125/250	50/60	T125/55	2/1-1.3	6K	10K	40			
	R	10	125/250	50/60	T125/55	2/1-1.3	6K	10K	40			
	RM	16(6)	125/250	50/60	T125/55	2/1-1.3	6K	10K	40			
	RM	12(4)	125/250	50/60	T125/55	2/1-1.3	6K	10K	40			
	R	6-15	25-50	DC	T125/55	2/1-1.3	6K	10K	40			
	R	6-15	25-50	DC	T85/55	2/1-1.3	6K	10K	40			
<b>SS21 may be f/b any letters or digits, f/b L, may be f/b any letters or digits</b>	GP	21	125/250	50/60	T125/55	2/1-1.3	6K	10K	40	full 2.5	-	-
	GP	10	125/250	50/60	T125/55	2/1-1.3	6K	10K	40			
	R	21	125/250	50/60	T125/55	2/1-1.3	6K	10K	40			
	R	10	125/250	50/60	T125/55	2/1-1.3	6K	10K	40			
	RM	16(6)	125/250	50/60	T125/55	2/1-1.3	6K	10K	40			
	RM	12(4)	125/250	50/60	T125/55	2/1-1.3	6K	10K	40			
	R	6-15	25-50	DC	T125/55	2/1-1.3	6K	10K	40			
	R	6-15	25-50	DC	T85/55	2/1-1.3	6K	10K	40			

<b>SS21</b> may be f/b any letters or digits, may be f/b S1 or S2 may be f/b any letters or digits	GP	21	125/250	50/60	T125/55	1/1-1.2	6K	10K	40	full 2.5	-	-
	GP	10	125/250	50/60	T125/55	1/1-1.2	6K	10K	40			
	R	21	125/250	50/60	T125/55	1/1-1.2	6K	10K	40			
	R	10	125/250	50/60	T125/55	1/1-1.2	6K	10K	40			
	RM	16(6)	125/250	50/60	T125/55	1/1-1.2	6K	10K	40			
	RM	12(4)	125/250	50/60	T125/55	1/1-1.2	6K	10K	40			
	R	6-15	25-50	DC	T125/55	1/1-1.2	6K	10K	40			
	R	6-15	25-50	DC	T85/55	1/1-1.2	6K	10K	40			
<b>VS14</b> may be f/b any letter, may be f/b 12, 13 or 14 may be f/b any letters or digits	GP	1-16	125/250	50/60	40T125	1/M-1.2	6K	10K	20	full 3.7	-	-
	GP	1-10	125/250	50/60	40T125	1/M-1.2	6K	50K	20			
	R	1-16	125/250	50/60	40T125	1/M-1.2	6K	10K	20			
	R	1-10	125/250	50/60	40T125	1/M-1.2	6K	50K	20			
	RM	1-16(1-3)	125/250	50/60	40T125	1/M-1.2	6K	10K	20			
	RM	1-10(1-2)	125/250	50/60	40T125	1/M-1.2	6K	50K	20			
	R	1-16	3-42	DC	40T125	1/M-1.2	6K	10K	20			
	R	1-10	3-42	DC	40T125	1/M-1.2	6K	50K	20			

<b>VS14 may be f/b any letter, may be f/b 22, 23 or 24 may be f/b any letters or digits</b>	GP	1-16	125/250	50/60	40T125	2/M-1.3	6K	10K	20	full 3.7	-	-
	GP	1-16	125/250	50/60	40T125	2/M-1.5	6K	10K	20			
	GP	1-10	125/250	50/60	40T125	2/M-1.3	6K	50K	20			
	GP	1-10	125/250	50/60	40T125	2/M-1.5	6K	50K	20			
	R	1-16	125/250	50/60	40T125	2/M-1.3	6K	10K	20			
	R	1-16	125/250	50/60	40T125	2/M-1.5	6K	10K	20			
	R	1-10	125/250	50/60	40T125	2/M-1.3	6K	50K	20			
	R	1-10	125/250	50/60	40T125	2/M-1.5	6K	50K	20			
	RM	1-16(1-3)	125/250	50/60	40T125	2/M-1.3	6K	10K	20			
	RM	1-16(1-3)	125/250	50/60	40T125	2/M-1.5	6K	10K	20			
	RM	1-10(1-2)	125/250	50/60	40T125	2/M-1.3	6K	50K	20			
	RM	1-10(1-2)	125/250	50/60	40T125	2/M-1.5	6K	50K	20			
	R	1-16	3-42	DC	40T125	2/M-1.3	6K	10K	20			
R	1-16	3-42	DC	40T125	2/M-1.5	6K	10K	20				
R	1-10	3-42	DC	40T125	2/M-1.3	6K	50K	20				
R	1-10	3-42	DC	40T125	2/M-1.5	6K	50K	20				

**Investigated to CSA-C22.2 No. 55**

Cat. No.	Amps	Volts	Hz	Load	Endur- ance	Temp (°C)	POL/ THR	Circuit Code	SPCOA
<b>AS2208</b>	6	125	60	GP	-	55	2/2	-/B	A1
	3	250	60	GP	-				
<b>AS2304</b>	13	125	60	GP	-	55	2/3	-/B	A1
	6.5	250	60	GP	-				
<b>EPS11</b>	10	125	60	GP	6K	55	1/1	-/-	-



	10	250	60	GP	6K				
	-	-	-	GP	-				
	-	-	-	GP	-				
<b>EPS21</b>	10	125	60	GP	6K	55	2/1	PP/D1	-
	10	250	60	GP	6K				
	-	-	-	GP	-				
	-	-	-	GP	-				
<b>FR01 f/b A1, A2 or A3, f/b F0 or F1, f/b L1</b>	6	125	60	GP	6K	65	1/M	-/-	Note 6(16 thru 20 AWG)
	6	250	60	GP	6K				
<b>MFR01 f/b A1, f/b F or M, f/b 04, 05, 06, 07, 08, 09 or 10, f/b L1</b>	8	125	60	GP	6K	65	1/M	-/-	-
	8	250	60	GP	6K				
<b>MPS11</b>	16	125	60	GP	6K	85	1/1	PP/-	-
	10	250	60	GP	6K				
	5	125	60	TV	25K				
<b>MPS21 f/b letter; f/b letter; f/b A or B; f/b Q; f/b M or Blank; f/b S or D; f/b -L or Blank; f/b 2 or Blank; f/b 2 or Blank; f/b -R or Blank)</b>	16	125	50/60	GP	6K	65	2/1	PP/D1	Note 2
	16	250	50/60	GP	6K				
	-	125	50/60	3/4hp	6K				
	-	250	50/60	3/4hp	6K				
<b>OVS-1 f/b A, B, C or D</b>	12	125	60	GP	6K	150	M/M	PP/-	-
	12	250	60	GP	6K				
<b>PS01-X-X-X</b>	3	250	60	GP	6K	85	1/1	-/A	-
	6	125	60	GP	6K				
	6	125	60	L	6K				
<b>SS11 f/b Letters, Numbers or Blank, f/b Q or S, f/b -Letters, -Numbers or Blank, f/b 20 or 30, f/b -Letters, -Numbers or Blank .</b>	12	125	60	GP	6K	65	1/1,2/2	-/A	-
	12	250	60	GP	6K				

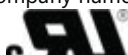
	16	125	60	GP	6K				
	16	250	60	GP	6K				
	10	125	60	GP	6K				
	10	250	60	GP	6K				
	6	125	60	GP	6K				
	6	250	60	GP	6K				
<b>SS21, f/b suffixes</b>	10	125	60	GP	6K	65	2/1	PP/C	-
	10	250	60	GP	6K				
<b>SS21, f/b suffixes, f/b -S</b>	10	125	60	GP	6K	65	1/1	-/A	-
	10	250	60	GP	6K				
<b>SS24 f/b Letters, Numbers or Blank, f/b Q or S, f/b -Letters, -Numbers or Blank, f/b 40 or 60, f/b -Letters, -Numbers or Blank .</b>	12	125	60	GP	6K	65	2/2 or 2/1	PP/D1	-
	12	250	60	GP	6K				
	10	125	60	GP	6K				
	10	250	60	GP	6K				
	6	125	60	GP	6K				
	6	250	60	GP	6K				
	16	125	60	GP	6K				
	16	250	60	GP	6K				
<b>SS31 f/b letters; f/b Q, S or C; f/b R, F or L; f/b D; f/b 40, 41; f/b L or blank; f/b letters or numbers or blank.</b>	16	125	50/60	GP	6K	65	2/1	PP/C	2,3
	16	250	50/60	GP	6K				
	-	125	50/60	3/4hp	6K				
	-	250	50/60	3/4hp	6K				
<b>SS31 f/b letters; f/b Q, S or C; f/b R, F or L; f/b D; f/b 60; f/b L or blank; f/b letters or numbers or blank.</b>	16	125	50/60	GP	6K	65	2/2	PP/C	2, 3
	16	250	50/60	GP	6K				
	-	125	50/60	3/4hp	6K				
	-	250	50/60	3/4hp	6K				

<b>SS31 f/b letters; f/b Q, S or C; f/b R, F or L; f/b S; f/b 20 or 21; f/b L or blank; f/b letters or numbers or blank.</b>	16	125	50/60	GP	6K	65	1/1	-/A	2, 3
	16	250	50/60	GP	6K				
	-	125	50/60	3/4hp	6K				
	-	250	50/60	3/4hp	6K				
<b>SS31 f/b letters; f/b Q, S or C; f/b R, F or L; f/b T; f/b 40, 41; f/b L or blank; f/b letters or numbers or blank.</b>	16	125	50/60	GP	6K	65	2/1	PP/C	2, 3
	16	250	50/60	GP	6K				
	-	125	50/60	3/4hp	6K				
	-	250	50/60	3/4hp	6K				
<b>SS31 f/b letters; f/b Q, S or C; f/b R, F or L; f/b T; f/b 60; f/b L or blank; f/b letters or numbers or blank.</b>	16	125	50/60	GP	6K	65	2/2	PP/C	2, 3
	16	250	50/60	GP	6K				
	-	125	50/60	3/4hp	6K				
	-	250	50/60	3/4hp	6K				
<b>SS31 f/b letters; f/b Q, S or C; f/b R, F; f/b S; f/b 30; f/b letters or numbers or blank.</b>	16	125	50/60	GP	6K	65	1/2	-/A	3
	16	250	50/60	GP	6K				
	-	125	50/60	3/4hp	6K				
	-	250	50/60	3/4hp	6K				
<b>VS12 f/b M or H, f/b 11, 12</b>	12	125	60	GP	-	65	1/M	-/-	-
	12	250	60	GP	-				
	6	125	60	GP	-				
	3	250	60	GP	-				
	2	125	60	GP	-				
	1	250	60	GP	-				
<b>VS34 f/b, M or H, f/b 11, 12, 21 or 22</b>	12	125	60	GP	-	55	M/M	-/-	-
	12	250	60	GP	-				

Note 2 - These are lighted switches employing a lamp. The usable lamp life has not been evaluated.

Note 6 - The switch employs push-in terminals. These have been evaluated for use with solid and solder dipped stranded conductors of a

specified size (shown within parenthesis in AWG).

Marking: Company name or tradename "LEGION", catalog, model or part number, electrical ratings and the Recognized Component Mark for Canada,  on the product or on the smallest unit container in which the product is packaged.

Last Updated on 2021-04-25

---

并不是所有出现在本数据库中的公司名称和产品都满足了UL 跟踪检验服务的要求。只有带有 UL 标志的产品，才应该被视为经过UL认证，并满足UL 跟踪检验服务的要求。注意查看产品上的标志。

UL 允许在线认证目录中所含材料的复制遵循以下条件：1.指南信息、装配、构造、设计、系统和/或认证（文件）必须在不篡改任何数据（或图纸）的情况下完整且无误导性地呈现。2.“经 UL 允许从在线认证目录转载”声明必须出现在所摘取材料的邻近位置。此外，转载材料必须包含以下格式的版权声明：“© 2021 UL LLC”



# 产品认证证书

证书编号: CQC10002049681

发证日期: 2022年05月31日

有效期至: 2026年12月23日

**委托人名称** 六钧电子有限公司  
**及注册地址** 香港九龙官塘海滨道 151-153 号广生行中心 6 楼 609 室

**制造商名称** 东莞市六钧电子五金有限公司  
**及注册地址** 广东省东莞市石碣镇石碣科技东路 198 号 1 栋 402 室

**生产企业名称** 东莞市六钧电子五金有限公司  
**及生产地址** 广东省东莞市石碣镇石碣科技东路 198 号 1 栋 402 室

**产品名称和系列、规格、型号** 跷板开关  
SS24 系列 16(4)A 250VAC 或 125VAC 50Hz 1E4 16A 或 12A 或 10A 或 6A 或 3A 或 2A 或 1A 250VAC 或 125VAC 50Hz 1E4 16A 或 12A 或 10A 或 6A 或 3A 或 2A 或 1A 42VDC 或 30VDC 或 24VDC 或 12VDC 1E4 40T125/55 耐热 850°C PTI175 锡焊端子或扁平快速连接端头 污染等级 2 SS11 系列 16(4)A 250VAC 12A 或 10A 或 6A 125 或 250VAC 50Hz T125/55 1E4 耐热 850°C PTI175 锡焊端子或扁平快速连接端头 污染等级 2

**产品标准和技术要求** GB/T 15092.1-2020;GB/T 15092.101-2020

**认证模式** 产品型式试验+初次工厂检查+获证后监督

上述产品符合 CQC11-462124-2009 认证规则的要求, 特发此证。  
本证书为变更证书, 证书首次颁发日期: 2010 年 08 月 30 日  
证书有效期内本证书的有效性依据发证机构的定期监督获得保持。

可通过扫描下方二维码或登录国家认监委网站 ( www.cnca.gov.cn ) 查验证书信息



签发: 谢肇煦



中国质量认证中心

## X-ON Electronics

Largest Supplier of Electrical and Electronic Components

*Click to view similar products for [Rocker Switches](#) category:*

*Click to view products by [Legion](#) manufacturer:*

Other Similar products are found below :

[LTI LA6E-1S-WH-RC-FN12VXCR1](#) [6-1571986-9](#) [8007K26N324V52](#) [8055K23Z7V](#) [8055K32Z7V](#) [8055K52Z7V](#) [8138K20E6M50](#)  
[PREDD4-07F-BB0FW](#) [PREDD5-07F-BB0GW](#) [999-16716-002](#) [A101J1V3Q004](#) [A103J1ZQ004](#) [A201J1AQ004](#) [A201J50ZQ004](#)  
[H8653VBBG2577W](#) [HB130CHNWWNAAC](#) [R13112ABB-602W](#) [1251.0303](#) [1352.0107](#) [1500G51E](#) [1571099-3](#) [1571987-4](#) [1571987-5](#)  
[1571988-5](#) [B123J77V7B2](#) [160212E](#) [1634200-7](#) [1801.1164](#) [PANEL-PLUG-VHP-BLACK](#) [PANEL-PLUG-VHP-WT](#) [K2ABAAAAAA](#)  
[250011E714](#) [2600R21E](#) [260413E](#) [2639LH/2A7/127000L0](#) [LL3AZXX-100-XGT1](#) [LL3AZXX-100-XHS1](#) [LL3AZXX-100-XSD1](#) [30-695B](#)  
[160311E](#) [A103J3ZQ004](#) [A201J61ZQ0004](#) [1852.1102](#) [1890.1104](#) [191.081.011](#) [AE107J1AQ004](#) [1935.3128](#) [1935.3133](#) [1MR7-B](#)  
[SY236CD6U622](#)