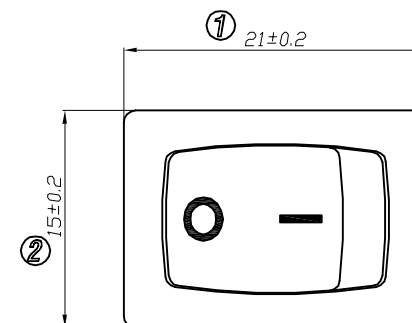
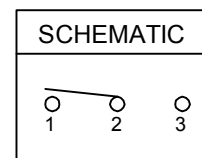
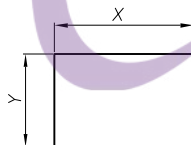


1. 电路CIRCUIT: ON/OFF;
2. 额定值RATING: 16A 125/250VAC (UL;C-UL);  
12A 125/250VAC (UL;C-UL);  
16(4)A 250V~T125/55(ENEC17;NEMKO;CQC;CB)  
16A (浪涌电流 130A) 125VAC 寿命10000次;
3. 接触电阻 CONTACT RESISTANCE : <50mΩ
4. 绝缘阻抗 INSULATION RESISTANCE : >100MΩ  
(500VDC BETWEEN OPEN CONTACTS)
5. 耐电压 DIELECTRIC STRENGTH : >1500VAC 0.5mA 1 MINTUTE
6. 所有部件均使用环保材料  
ALL MATERIALS USING MEET THE RoHS DIRECTIVE

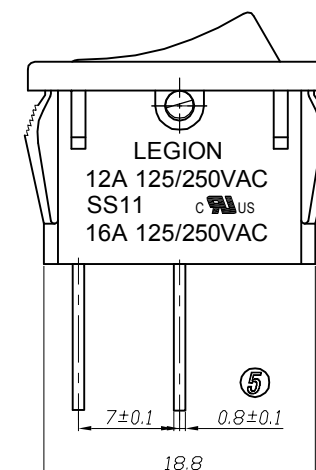
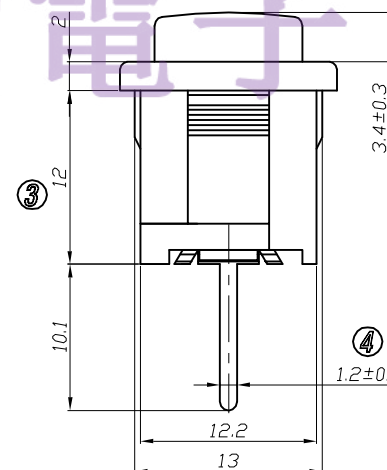
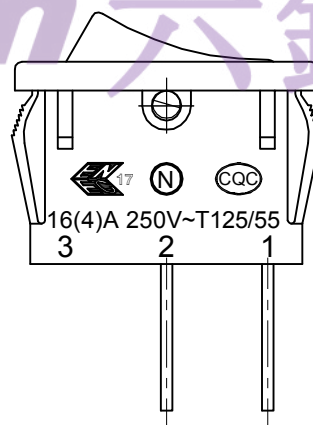
TEL: 0769-82310511-867



PANEL CUTOUT DIMENSION



PANEL THICKNESS	X	Y
0.8~1.2mm	19.2 <sup>+0</sup> <sub>-0.1</sub> mm	12.9 <sup>+0.1</sup> <sub>-0</sub> mm
1.3~2.0mm	19.4 <sup>+0</sup> <sub>-0.1</sub> mm	12.9 <sup>+0.1</sup> <sub>-0</sub> mm
2.1~2.5mm	19.8 <sup>+0</sup> <sub>-0.1</sub> mm	12.9 <sup>+0.1</sup> <sub>-0</sub> mm



NO	DESCRIPTION	NO	DESCRIPTION	ANGLES	DIMENSIONAL TOLERANCES	APPROVED	CHECKED	DESIGN	DRAWN	ALL SIZE ARE IN	MM	
5	→	10	→		RANGE				LMC	SCALE	NO	
4	→	9	→		TOLERANCE				2020.11.14	MAT'L	***	REV.
3	→	8	→		X	±0.30				MATERIAL NO.		SS11-BBIWP-R20-L
2	→	7	→		X.X	±0.20						
1	→	6	→		X.XX	±0.10						AO
					ANGLES	±1°	LEGION ELECTRONIC & HARDWARE CO., LTD.					

## X-ON Electronics

Largest Supplier of Electrical and Electronic Components

*Click to view similar products for [Rocker Switches](#) category:*

*Click to view products by [Legion](#) manufacturer:*

Other Similar products are found below :

[LTILA6E-1S-WH-RC-FN12VXCR1](#) [6-1571986-9](#) [8007K26N324V52](#) [8055K23Z7V](#) [8055K32Z7V](#) [8055K52Z7V](#) [8138K20E6M50](#)  
[PREDD4-07F-BB0FW](#) [PREDD5-07F-BB0GW](#) [999-16716-002](#) [A101J1V3Q004](#) [A103J1ZQ004](#) [A201J1AQ004](#) [A201J50ZQ004](#)  
[H8653VBBG2577W](#) [HB130CHNWWNAAC](#) [R13112ABB-602W](#) [1251.0303](#) [1352.0107](#) [1500G51E](#) [1571099-3](#) [1571987-4](#) [1571987-5](#)  
[1571988-5](#) [B123J77V7B2](#) [160212E](#) [1634200-7](#) [1801.1164](#) [PANEL-PLUG-VHP-BLACK](#) [PANEL-PLUG-VHP-WT](#) [K2ABAAAAAA](#)  
[250011E714](#) [2600R21E](#) [260413E](#) [2639LH/2A7/127000L0](#) [LL3AZXX-100-XGT1](#) [LL3AZXX-100-XHS1](#) [LL3AZXX-100-XSD1](#) [30-695B](#)  
[160311E](#) [A103J3ZQ004](#) [A201J61ZQ0004](#) [1852.1102](#) [1890.1104](#) [191.081.011](#) [AE107J1AQ004](#) [1935.3128](#) [1935.3133](#) [1MR7-B](#)  
[SY236CD6U622](#)