

承 認 書

SPECIFICATION FOR APPROVAL

*客戶名稱 :
Customer name

*產品名稱 : 跷板开关
Product Description

*產品型號 : SS11-BBNG-R20-R
Product part number

*客戶料號 :
Customer's material number

*數量 : 10PCS
Quantity

*日期 :
Date

供應商負責人簽名		客戶負責人確認簽回	
製作人	莫丽琴	承認人	
審核	郭远维	審核	
批准	王瑞宝	批准	

皓宇(香港)有限公司
HAOYU (HONG KONG) LIMITED
六钧电子五金有限公司
LEGION ELECTRONIC&HARDWARE CO., LTD
富力隆电子(深圳)有限公司
ROCKTEK ELECTRONICS (SHENZHEN) CO. LTD
東莞市石碣鎮四村第一工業區
Sicun 1st Industrial park, Sicun,
Shijie Town, Dongguan

電話 : (86) 769-82310511-867
Tel No

傳真 : (86) 769-82310510
Fax No

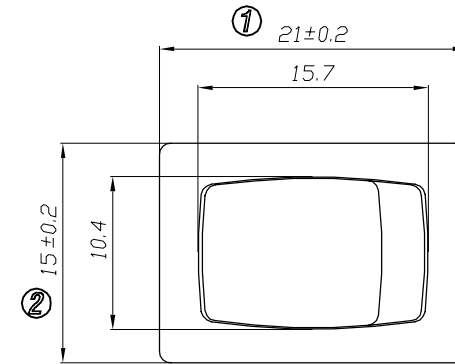
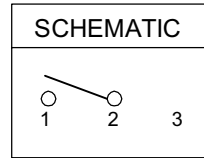
郵箱 : hooya89@hooya.hk
E - mail

核 准 :
Approved

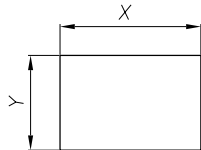
1. 跷板开关型号 ROCKER SWITCH MODEL SS11-BBNNG-R20-R;
2. 快插端子 QUICK CONNECTOR TYPE;
单刀单掷 (SINGLE POLE DOUBLE THROW);
3. 额定值 RATING: 16A 125/250VAC (UL;C-UL);
12A 125/250VAC (UL;C-UL);
16(4)A 250V~T125/55(ENEC17;NEMKO;CQC;CB)

UL APPROVAL FILE NO.:E153399
 ENEC CERTIFICATE NO.:NO3715
 NEMKO CERTIFICATE NO.:P09211556/A1
 CQC CERTIFICATE NO.10002049681
 CB CERTIFICATE NO.:NO62986/A2

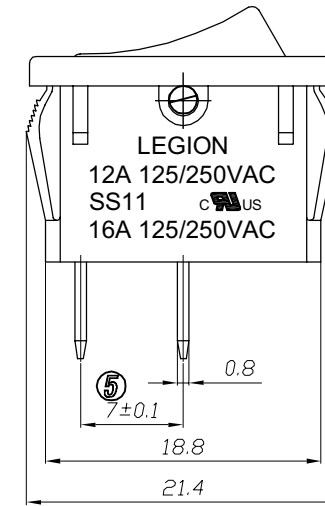
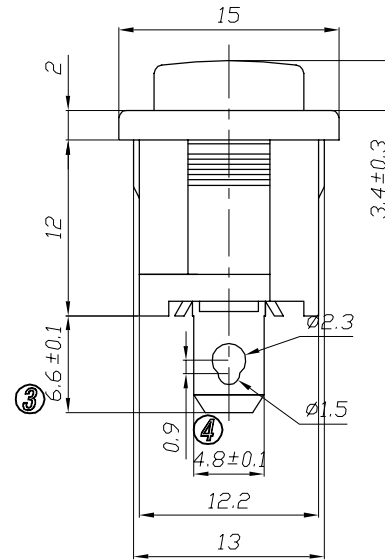
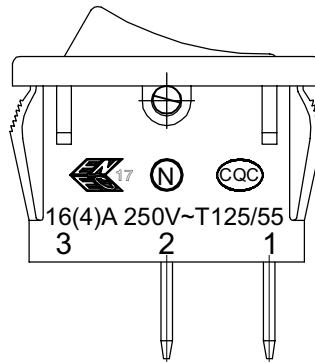
4. 柄的颜色 ACTUATOR COLOR: 黑色 BLACK
基座的颜色 HOUSING COLOR: 黑色 BLACK
5. 所有部件均使用环保材料
ALL MATERIALS USE IN CONFORMIY WITH THE RoHS DIRECTIVE



PANEL CUTOUT DIMENSION



PANEL THICKNESS	X	Y
0.8~1.2mm	19.2 ⁺⁰ _{-0.1} mm	12.9 ^{+0.1} ₋₀ mm
1.3~2.0mm	19.4 ⁺⁰ _{-0.1} mm	12.9 ^{+0.1} ₋₀ mm
2.1~2.5mm	19.8 ⁺⁰ _{-0.1} mm	12.9 ^{+0.1} ₋₀ mm



修正 REVISION	說明 DESCRIPTION	修订者 REVISED BY	SPECIFICATION				公差 TOLERANCES		TOLERANCES UNLESS OTHERWISE SPEC.±0.3/0.05,ANG.±2		
			製圖 DRAWN BY	設計 DESIGNED BY	校對 CHECKED BY	核准 APPROVED BY	單位 UNIT	mm	機種名稱 MODEL NAME	ROCKER SW	機種編號 MODEL NO.
△			劉五	唐彪	唐彪	唐彪	比例 SCALE	2/1	六鈞電子五金有限公司 LEGION ELECTRONIC & HARDWARE CO., LTD.		
△			04-DEC-2015	04-DEC-2015	04-DEC-2015	04-DEC-2015	日期 DATE	2015.12.04			

LEGION ELECTRONIC & HARDWARE CO., LTD.

翹板式開關 測試規格

SS11 SERIES SWITCHES TEST SPECIFICATION

1. TEST CONDITION (測試環境):

THE SWITCH IS TESTED AT A TEMPERATURE RANGE OF 5~35°C AND RELATIVE HUMIDITY RANGE OF 45~85%.

* 環境溫度範圍 : 5 ~ 35°C

* 相對濕度範圍 : 45 ~ 85%

2. RATING (額定):

(1) . 6A 125/250VAC FOR UL; C-UL

(2) . 6A 125/250VAC T125/55 FOR ENEC17;NEMKO;CQC;CB

3. ELECTRICAL PERFORMANCE (電氣性能):

3-1. CONTACT RESISTANCE (接觸電阻):

MEASURED BY FALL OF POTENTIAL METER AT DC 0.2 V/1A SHOULD BE LESS THAN 20mΩ INITIAL.

* 以微電阻計在 **DC 0.2V/1A** 的測試規格值下, 接觸電阻值應該小於 **20mΩ**.

3-2. INSULATION RESISTANCE (絕緣電阻):

MEASURED WITH DC 500V APPLIED BETWEEN TERMINALS OF OPEN CONTACTS AND BETWEEN TERMINALS AND PLASTIC HOUSING, SHOULD BE MORE THAN 100MΩ.

* 絕緣電阻計於 **DC 500V 設定值**下量測於開路的端子或端子与塑膠外壳及按钮之间其絕緣電阻值應該大於 **100MΩ**.

3-3 DIELECTRIC STRENGTH (耐電壓):

THE SWITCH SHALL WITHSTAND WITHOUT BREAKDOWN A POTENTIAL OF AC 1500V FOR 1 MINUTE BETWEEN TERMINALS OF OPEN CONTACTS AND TERMINALS OF OPPOSITE POLARITY, AC 3000V FOR 1 MINUTE BETWEEN TERMINALS AND METAL COVER.

* 不同極的兩支端子開路時, 必須通過一分鐘 **0.5mA 1500VAC** 的耐電壓.

* 端子與外殼, 必須通過一分鐘 **0.5mA 3000VAC** 的耐電壓.

4. MECHANICAL PERFORMANCE(機械性能) :

4-1. OPERATION FORCE(操作力量) : 500±200gf

4-2. TERMINAL STRENGTH (端子強度):

A STATIC FORCE OF 2 KGF BEING APPLIED IN ONE DIRECTION ON THE TIP OF THE TERMINAL FOR 1 MINUTE. THE TERMINAL MAY BE DEFORMED, BUT SHALL NOT SUSTAIN ANY TROUBLE AS DEVIATION AND BREAKING OF TERMINAL, AND BREAKING OF INSULATION MATERIAL.

* 施以固定 **2.27Kgf(焊線/PCB 端子)**或 **8.5 Kgf (快插端子)** 的力量於同一方向在端子的頂端一分鐘, 端子允許變型, 但是不可以有任何位移(偏向)與端子斷裂及絕緣材料的破裂.

5. OVERLOAD AND ENDURANCE TEST (過負載與壽命測試):

THE SWITCH SHALL BE OPERATED ACCORDING TO FOLLOWING TABLE

* 開關應該依照下列表格的操作方式進行測試.

UL & C-UL STANDARD FOR 6A 125/250VAC (UL & C-UL 標準 FOR 6A 125/250VAC 快速端子)

CONDITION 測試狀況	VOLTAGE 測試電壓	CURRENT 測試電流	P.F. 功率因素	OPERATION SPEED 操作速率	NUMBER OF OPERATION 操作次數	SAFETY APPLICATION 適用安規
OVERLOAD 過負載	125VAC	9A	0.75~0.8	8 CYCLES PER MINUTE 每分鐘 8 次	50 CYCLES 50 次	UL; C-UL
	250VAC					
ENDURANCE 壽命測試	125VAC	6A	0.75~0.8	8 CYCLES PER MINUTE 每分鐘 8 次	6000 CYCLES 6000 次	UL;C-UL
	250VAC					

EUROPE STANDARD (歐洲標準)

INCREASED VOLTAGE TEST AT ACCELERATED SPEED (增加伏特數的加速測試)						
CONDITION 測試狀況	VOLTAGE 測試電壓	CURRENT 測試電流	P.F. 功率因素	OPERATION SPEED 操作速率	NUMBER OF OPERATION 操作次數	SAFETY APPLICATION 適用安規
MAKING 閉路	287.5VAC	6.9A	0.95	30 CYCLES PER MINUTE 每分鐘 30 次	100 CYCLES 100 次	ENEC17/NEMKO/ CQC
BREAKING 開路						
TEST AT LOW SPEED (低速測試)						
MAKING 閉路	250VAC	6A	0.95	30 CYCLES PER MINUTE 每分鐘 30 次	100 CYCLES 100 次	ENEC17/NEMKO/ CQC
BREAKING 開路						
TEST AT ACCELERATED SPEED (高速測試)						
MAKING 閉路	250VAC	6A	0.95	30 CYCLES PER MINUTE 每分鐘 30 次	9800 CYCLES 9800 次	ENEC17/NEMKO/ CQC
BREAKING 開路						

6. TEMPERATURE TEST (溫升試驗):

THE TEMPERATURE TEST SHOULD BE TAKEN AFTER ENDURANCE TEST WITH ITS RATED CURRENT AND VOLTAGE.

THE TEMPERATURE RISING SHALL NOT BE MORE THAN 55°C.

* 溫升測試應該於壽命測試結束後隨即測試, 以同樣的電流與電壓量測, 溫升值必須低於攝氏 55°.

7. SOLDERING (焊錫特性):

IMMERSE THE TERMINAL LEADS INTO MOLTEN SOLDER AT TEMPERATURE OF 230±5°C FOR 3±0.5 SECONDS. MORE THAN 75% OF PART IMMERSERD SHOULD BE COVERED WITH SOLDER.

* 端子浸入 230±5°C 溫度溶化的焊錫中 3±0.5 秒, 75%以上的部分應該被焊錫包覆.

8. SOLDERING HEAT RESISTANCE OF BASE (基座抗熱性):

TEMPERATURE AND DURATION OF DIPPING

TYPE OF TERMINAL 端子型式	TEMPERATURE 溫度	DIPPING TIME 焊錫時間
TERMINAL FOR PCB WIRING * PCB 端子	260±5°C	5 SECONDS Max.
TERMINAL FOR LEAD WIRING * 焊線端子	350±5°C	5 SECONDS Max.

THERE SHALL NOT BE EXTREME DEFORMING IN APPEARANCE.

ELECTRICAL PERFORMANCE OF THE ABOVE ITEM 3 SHALL BE ASSURED.

* 基座不可以有極度變形狀況發生.

* 上文第 3 項的電子性能應該被保證.

7. NOTICE (使用注意事項):

9-1. When welding, any pressure applied to the terminals may cause conditions as looseness, deformation of terminals and electrical degradations.

給端子進行焊接時, 如果在端子上施加負荷, 因條件不同會有鬆動、變形、及電特性退化的可能, 請在使用時注意。

9-2. For second time welding job, please proceed welding after it is recovered to room temperature.

進行二次焊接時, 請在第一次焊接部份恢復到常溫之后再進行。連續加熱可能使外圍部變形、端子鬆動, 脫落及電特性降低。

9-3. Water-flux may cause switch corrosion, please don't use it.

焊接時, 水溶劑助焊劑有可能腐蝕開關的可能, 請避免使用。

9-4. Do not clean it with water.

不能用水清洗

9-5. After final assembly as a completed product, please make sure that there's no erosion gas/materials released from peripheral parts/materials as it may causes contact failure of switches.

如果使用開關的整機的周邊材料產生腐蝕性氣體, 有可能造成接觸不良等現象, 所以請事先進

行充分確認。

9-6. Storage:

保管方法:

- a. Keep it stored under normal temperature, humidity and prevent from direct sunshine, erosion gas. Products should be used within 6 months.

產品以交貨時的狀態在常溫，常濕，不受直射陽光照射，不產生腐蝕性氣體的場所保管，自交貨起 6 個月以內為限度，請盡可能快的使用。

- b. For small quantity which taken from main packages, please keep it in plastic bags and sealed. And have it storage under up-mentioned environment.

開封后未使用的，請用膠袋密封好，請在與上述所要求的環境下保管，並盡快使用。

- c. Do not pile up products too high.

請不要過分地堆積。

修訂日期 REVISED DATE	修訂內容 DESCRIPTION	修訂者 REVISED BY	文件編號 FILE NO.	制定 WRITE BY	審核 CHECKED BY	核准 APPROVED BY
			SPEC-011	王凡 2015/07/25	/	唐彪 2015/07/25
			版次 VERSION			
			A 版 0 次			



产品认证证书

证书编号: CQC10002049681

申请人名称及地址

六钧电子有限公司
香港英皇道300号五洲大厦4楼M室

制造商名称及地址

东莞市六钧电子五金有限公司
广东省东莞市石碣镇黄泗围大洲村海圻路

生产企业名称及地址

东莞市六钧电子五金有限公司 (V013100)
广东省东莞市石碣镇黄泗围大洲村海圻路

产品名称和系列、规格、型号

跷板开关

SS24系列16(4)A 250VAC 50Hz T125/55 1E4 耐热3级 PTI175 锡焊端头/插片端子 污染等级2 SS11系列 16(4)A 250VAC 12A 125/250VAC 10A 125/250VAC 6A 125/250VAC 50Hz T125/55 1E4 耐热3级 PTI175 锡焊端头/插片端子 污染等级2系列描述见附件

产品标准和技术要求

GB15092.1-2010

认证模式

产品型式试验+初次工厂检查+获证后监督

上述产品符合CQC11-462124-2009认证规则的要求, 特发此证。

发证日期: 2012年12月06日 有效期至: 2016年12月06日

证书有效期内本证书的有效性依据发证机构的定期监督获得保持

本证书为变更证书, 证书首次颁发日期: 2010年08月30日

主任: 



中国质量认证中心

中国·北京·南四环西路188号9区100070

<http://www.cqc.com.cn>



PRODUCT CERTIFICATE

No.: CQC10002049681

NAME AND ADDRESS OF THE APPLICANT

LEGION ELECTRONIC CO.,LIMITED
Room M,4/F.,Continental Mansion,300 King's Road, Hong Kong

NAME AND ADDRESS OF THE MANUFACTURER

DONG GUAN LEGION ELECTRONIC & HARDWARE CO.,LTD
HAITANG RD,DA HUANG SHI WEI DA ZHOU VILLAGE SHI JIE TOWN DONG GUAN CITY GUANG
DONG PROVINCE

NAME AND ADDRESS OF THE FACTORY

DONG GUAN LEGION ELECTRONIC & HARDWARE CO.,LTD(V013100)
HAITANG RD,DA HUANG SHI WEI DA ZHOU VILLAGE SHI JIE TOWN DONG GUAN CITY GUANG
DONG PROVINCE

NAME, MODEL AND SPECIFICATION

ROCKER SWITCH

SS24系列16(4)A 250VAC 50Hz T125/55 1E4 耐热3级 PT1175 锡焊端头/插片端子 污染等级2
SS11系列 16(4)A 250VAC 12A 125/250VAC 10A 125/250VAC 6A 125/250VAC 50Hz T125/55 1E4
耐热3级 PT1175 锡焊端头/插片端子 污染等级2系列描述见附件

THE STANDARDS AND TECHNICAL REQUIREMENTS FOR THE PRODUCTS

GB15092.1-2010

CERTIFICATION MODEL

Type Testing of Product + Initial Factory Inspection + Follow up Factory Inspection

This is to certify that the above mentioned products have met the requirements of certification
rules CQC11-462124-2009.

Date of issue: Dec.06,2012

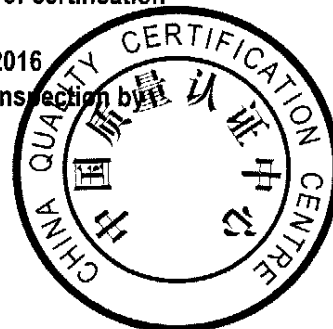
Date of expiry: Dec.06,2016

Validity of this certificate is subject to positive result of the regular follow up inspection by
issuing certification body until the expiry date.

Date of original certification: Aug.30,2012

President:

Wang Kejiao



CHINA QUALITY CERTIFICATION CENTRE

Section 9, No.188, Nansihuan Xilu, Beijing 100070 P.R.China

<http://www.cqc.com.cn>



产品认证证书

附录:

第 1 页 共 4 页

证书编号: CQC10002049681

纸号: 42089

系列内部个型号之间的差异主要从命名方式体现出来:

SS11 - -

1 2 3 4 5 6 7 8 9 10 11 12 13 14

1 系列名称:

2 操动件颜色:

B: 黑色 R: 红色 L: 蓝色

3 外壳颜色:

W: 白色 E: 灰色

4 印字样式:



注: 此附录与证书同时使用时有效。

主任: 



中国质量认证中心

中国·北京·南四环西路 188 号 9 区 100070

<http://www.cqc.com.cn>



产品认证证书

附录:

第 2 页 共 4 页

证书编号: CQC10002049681

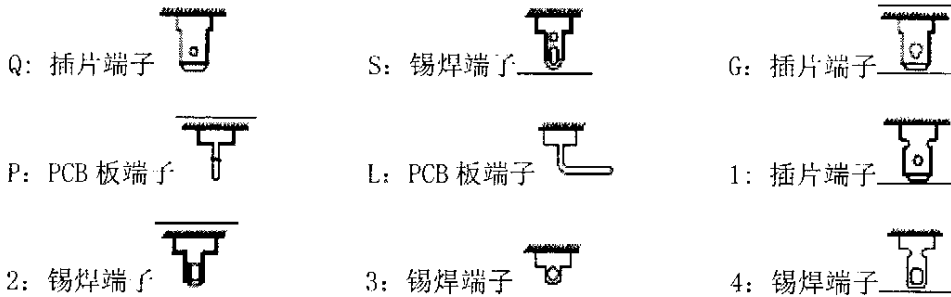
纸号: 42089



5 印字颜色:

W: 白色 B: 黑色 N: 无印字

6 端子形式:



7 操动形式:

R: 跷板形

注: 此附录与证书同时使用时有效。

主任: 



中国质量认证中心

中国·北京·南四环西路 188 号 9 区 100070

<http://www.cqc.com.cn>



产品认证证书

附录:

第 3 页 共 4 页



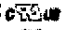








证书编号: CQC10002049681

纸号: 42089

8 外壳形状:

空白: 方形 R: 圆形 E: 椭圆形

9 额定值:

空白:	12A 125/250VAC 	A:	12A 125/250VAC 	B:	12A 125/250VAC 
	16A 125/250VAC 		18(4)A 250VAC 		18(4)A 250VAC 
	18(4)A 250VAC 				
C:	10A 125/250VAC 	D:	6A 125/250VAC 		
	18(4)A 250VAC 		18(4)A 250VAC 		

10 回路形式:

单刀单掷 (SPST) 20: ON OFF 21: (ON) OFF 22: ON (OFF) 23: ON-OFF

单刀双掷 (SPDT) 30: ON-ON

11 指示灯

L: 带灯 空白: 不带灯

注: 此附录与证书同时使用时有效。

主任: 



中国质量认证中心

中国 · 北京 · 南四环西路 188 号 9 区 100070

<http://www.cqc.com.cn>



产品认证证书

附录:

第 4 页 共 4 页

证书编号: CQC10002049681

纸号: 42089

12 指示灯颜色

0: 琥珀色 2: 红色 3: 绿色 4: 蓝色 空白: 不带灯

13 指示灯电阻

空白: 不带灯 1: 100K Ω 2: 200K Ω 3: 300K Ω

14 RoHS

R: 符合 RoHS 空白: 不适用

注: 此附录与证书同时使用时有效。

主任: 



中国质量认证中心

中国·北京·南四环西路 188 号 9 区 100070

<http://www.cqc.com.cn>

CB TEST CERTIFICATE CERTIFICAT D'ESSAI OCProduct
ProduitName and address of the applicant
Nom et adresse du demandeurName and address of the manufacturer
Nom et adresse du fabricantName and address of the factory
Nom et adresse de l'usineNote: When more than one factory, please report on page 2
Note: Lorsque il y plus d'une usine, veuillez utiliser la deuxième pageRatings and principal characteristics
Valeurs nominales et caractéristiques principalesTrademark (if any)
Marque de fabrique (si elle existe)Type of Manufacturer's Testing Laboratories used
Type de programme du laboratoire d'essais constructeurModel / Type Ref.
Ref. De typeAdditional information (if necessary may also be reported on page 2)
Les informations complémentaires (si nécessaire, peuvent être indiqués sur la deuxième page)A sample of the product was tested and found to be in conformity with
Un échantillon de ce produit a été essayé et a été considéré conforme à laAs shown in the Test Report Ref. No. which forms part of this Certificate
Comme indiqué dans le Rapport de tests numéro de référence qui constitue partie de ce CertificatThis CB Test Certificate is issued by the National Certification Body
Ce Certificat de test OC est établi par l'Organisme National de Certification

Rocker Switch

Legion Electronic Co., Ltd.
Room M,4/F., Continental Mansion, 300 King's Road
Hong KongDong Guan Legion Electronic & Hardware Co., Ltd.
Yayuan Road, the first industrial zone, Four village, Shijie town
Dongguan City, Guangdong Province
ChinaDong Guan Legion Electronic & Hardware Co., Ltd.
Yayuan Road, the first industrial zone, Four village, Shijie town
Dongguan City, Guangdong Province
China Additional information on page 2

16(4)A 250V AC

LEGION

SS24 Series

Rocker switch for use in Class II appliances, Code 1.2, 1.4, 2.3 and 2.5, full disconnection, 1E4 cycles, level 3, Pollution degree II, PTI 175, T125/55, with tab or solder terminals

 Additional information on page 2

IEC 61058-1(ed.3);am1;am2

285592

This certificate replaces the certificate NO62986/A1, due to updating factory information

Gautstadalléen 30
NO-0373 Oslo, Norway

Date: 31-07-2015

Signature: Juan Z. Kleppenes
Certification Department

CB TEST CERTIFICATE CERTIFICAT D'ESSAI OC

Product

Produit

Name and address of the applicant

Nom et adresse du demandeur

Name and address of the manufacturer

Nom et adresse du fabricant

Name and address of the factory

Nom et adresse de l'usine

Note: When more than one factory, please report on page 2

Note: Lorsque il y plus d'une usine, veuillez utiliser la deuxième page

Ratings and principal characteristics

Valeurs nominales et caractéristiques principales

Trademark (if any)

Marque de fabrique (si elle existe)

Type of Manufacturer's Testing Laboratories used

Type de programme du laboratoire d'essais constructeur

Model / Type Ref.

Ref. De type

Additional information (if necessary may also be reported on page 2)

Les informations complémentaires (si nécessaire, peuvent être indiqués sur la deuxième page)

A sample of the product was tested and found to be in conformity with

Un échantillon de ce produit a été essayé et a été considéré conforme à la

As shown in the Test Report Ref. No. which forms part of this Certificate

Comme indiqué dans le Rapport de tests numéro de référence qui constitue partie de ce Certificat

This CB Test Certificate is issued by the National Certification Body

Ce Certificat de test OC est établi par l'Organisme National de Certification

Rocker Switch

Legion Electronic Co., Ltd.

Room M,4/F., Continental Mansion, 300 King's Road
Hong Kong

Dong Guan Legion Electronic & Hardware Co., Ltd.

Yayuan Road, the first industrial zone, Four village, Shijie town

Dongguan City, Guangdong Province

China

Dong Guan Legion Electronic & Hardware Co., Ltd.

Yayuan Road, the first industrial zone, Four village, Shijie town

Dongguan City, Guangdong Province

China

 Additional information on page 2

10A 125/250VAC or 6A 125/250VAC or 16(4)A 125/250VAC

LEGION

SS11 Series

Rocker switch for use in Class II appliances, Code 1.2 and 2.3, full disconnection, 1E4 cycles, level 3, Pollution degree II, PTI 175, T125/55, with tab terminal.

 Additional information on page 2

IEC 61058-1(ed.3);am1;am2

285592

Gautstadalléen 30
NO-0373 Oslo, Norway

Date: 31-07-2015

Signature: Juan Z. Kleppenes
Certification Department

Licence for use of the here shown ENEC conformity mark :



Based on:

Agreement on the use of a commonly agreed Mark on Conformity for equipment complying with European Standards as of 12 November 1991 (in short ENEC Agreement), as revised latest by ENEC group April 16. 1997.

Nemko hereby grants the following manufacturer as licensee the right to affix this ENEC mark on the product(s) specified below.

Product	Rocker Switch
Applicant	Legion Electronic Co., Ltd. Room M,4/F., Continental Mansion, 300 King's Road Hong Kong
Manufacturer	Dong Guan Legion Electronic & Hardware Co., Ltd. Yayuan Road, the first industrial zone, Four village,Shijie town Dongguan City, Guangdong Province China
Factory	Dong Guan Legion Electronic & Hardware Co., Ltd. Yayuan Road, the first industrial zone, Four village,Shijie town Dongguan City, Guangdong Province China
Ratings	<input type="checkbox"/> See next page(s) 16(4)A 250V AC
Trade mark	LEGION
Model / Type Ref.	SS24 Series
Principal characteristics	Rocker switch for use in Class II appliances, Code 1.2, 1.4, 2.3 and 2.5, full disconnection, 1E4 cycles, level 3, Pollution degree II, PTI 175, T125/55, with tab or solder terminals <input type="checkbox"/> See next page(s)

A sample of the product was tested and found to be in conformity with
INST EN 61058-1:2002;A2

The conditions for this licence are that the ENEC-marked products conform with the applicable Standard(s) as stated in the Test Report with Order No: 285592

and that Articles 8 and 9 of the ENEC Agreement are fulfilled by the manufacturer. The mark signifies the compliance of the completed products with these conditions. Further information is given in the attached Annex, which forms an obligatory part of this licence document. This licence has been issued under the presumption and conditional on the fact that the licensee holds all necessary legal rights with regard to the product presented for testing and certification.

Additional model(s) See next page(s)

Date of issue 31-07-2015

Juan Z. Kleppenes
Certification Department

Licence for use of the here shown ENEC conformity mark :



Product	Rocker Switch
Pos. No	1
Model / Type Ref.	SS11 Series
Trade mark (if different from page 1)	
Rating	10A 125/250VAC, 6A 125/250VAC, 16(4)A 125/250VAC
Principal characteristics	Rocker switch for use in Class II appliances, Code 1.2 and 2.3, full disconnection, 1E4 cycles, level 3, Pollution degree II, PTI 175, T125/55, with tab terminal.

Date of issue 31-07-2015



Juan Z. Kleppenes
Certification Department

Nemko AS

Gaustadalléen 30, P.O. Box 73 Blindern, 0314 Oslo, Norway
TEL +47 22 96 03 30 FAX +47 22 96 05 50 EMAIL info@nemko.com
ENTERPRISE NUMBER NO974404532

CERTIFICATE

No. P09211561/A1



Order No. 285592

Page 1/2

Product	Rocker Switch
Applicant	Legion Electronic Co., Ltd. Room M,4/F., Continental Mansion, 300 King's Road Hong Kong
Manufacturer	Dong Guan Legion Electronic & Hardware Co., Ltd. Yayuan Road, the first industrial zone, Four village,Shijie town Dongguan City, Guangdong Province China
Factory	Dong Guan Legion Electronic & Hardware Co., Ltd. Yayuan Road, the first industrial zone, Four village,Shijie town Dongguan City, Guangdong Province China <input type="checkbox"/> See next page(s)
Ratings	16(4)A 250V AC
Trade mark	LEGION
Model / Type Ref.	SS24 Series
Principal characteristics	Rocker switch for use in Class II appliances, Code 1.2, 1.4, 2.3 and 2.5, full disconnection, 1E4 cycles, level 3, Pollution degree II, PTI 175, T125/55, with tab or solder terminals <input type="checkbox"/> See next page(s)
A sample of the product was tested and found to be in conformity with	INST EN 61058-1:2002;A2
Replaces	This certificate replaces previous certificate No. P09211561, due to updating the factory information and adding a new model
Validity	This certificate documents conformity with the standards shown, and also applies as license for use of Nemkos name and certification mark. The certificate and license is valid as long as the applicable conditions are complied with, and provided that any changes to the product are notified to Nemko for acceptance prior to implementation. New standards or amendments to the standards may imply that the product design must be updated and/or that re-testing and re-certification is necessary.
Additional information	<input type="checkbox"/> See next page(s)
Additional model(s)	<input checked="" type="checkbox"/> See next page(s)

Date of issue 31-07-2015

Juan Z. Kleppenes

Certification Department

Nemko AS

Gaustadalléen 30, P.O. Box 73 Blindern, 0314 Oslo, Norway

TEL +47 22 96 03 30 FAX +47 22 96 05 50 EMAIL info@nemko.com

ENTERPRISE NUMBER NO974404532

nemko.com

CERTIFICATE

No. P09211561/A1



Order No. 285592

Page 2/2

Product	Rocker Switch
Pos. No	1
Model / Type Ref.	SS11 Series
Trade mark (if different from page 1)	
Rating	10A 125/250VAC, 6A 125/250VAC, 16(4)A 125/250VAC
Principal characteristics	Rocker switch for use in Class II appliances, Code 1.2 and 2.3, full disconnection, 1E4 cycles, level 3, Pollution degree II, PTI 175, T125/55, with tab terminal.

Date of issue 31-07-2015

Juan Z. Kleppenes
Certification Department

Nemko AS
Gaustadalléen 30, P.O. Box 73 Blindern, 0314 Oslo, Norway
TEL +47 22 96 03 30 FAX +47 22 96 05 50 EMAIL info@nemko.com
ENTERPRISE NUMBER NO974404532

X-ON Electronics

Largest Supplier of Electrical and Electronic Components

Click to view similar products for [Rocker Switches](#) category:

Click to view products by [Legion](#) manufacturer:

Other Similar products are found below :

[LTILA6E-1S-WH-RC-FN12VXCR1](#) [6-1571986-9](#) [8007K26N324V52](#) [8055K23Z7V](#) [8055K32Z7V](#) [8055K52Z7V](#) [8138K20E6M50](#)
[PREDD4-07F-BB0FW](#) [PREDD5-07F-BB0GW](#) [999-16716-002](#) [A101J1V3Q004](#) [A103J1ZQ004](#) [A201J1AQ004](#) [A201J50ZQ004](#)
[H8653VBBG2577W](#) [HB130CHNWWNAAC](#) [R13112ABB-602W](#) [1251.0303](#) [1352.0107](#) [1500G51E](#) [1571099-3](#) [1571987-4](#) [1571987-5](#)
[1571988-5](#) [B123J77V7B2](#) [160212E](#) [1634200-7](#) [1801.1164](#) [PANEL-PLUG-VHP-BLACK](#) [PANEL-PLUG-VHP-WT](#) [K2ABAAAAAA](#)
[250011E714](#) [2600R21E](#) [260413E](#) [2639LH/2A7/127000L0](#) [LL3AZXX-100-XGT1](#) [LL3AZXX-100-XHS1](#) [LL3AZXX-100-XSD1](#) [30-695B](#)
[160311E](#) [A103J3ZQ004](#) [A201J61ZQ0004](#) [1852.1102](#) [1890.1104](#) [191.081.011](#) [AE107J1AQ004](#) [1935.3128](#) [1935.3133](#) [1MR7-B](#)
[SY236CD6U622](#)