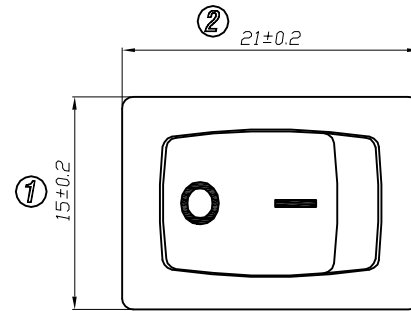
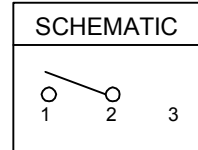


1. 跷板开关型号ROCKER SWITCH MODEL SS11-WWIBQ-R20-R  
 2. 快插端子QUICK CONNECTOR TYPE;  
 单刀单掷 (SINGLE POLE SINGLE THROW);  
 3. 额定值RATING:16A 125/250VAC (UL;C-UL);  
 12A 125/250VAC (UL;C-UL);  
 16(4)A 250V~T125/55(ENEC17;NEMKO;CQC;CB)

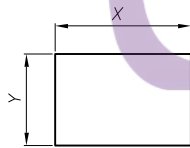
UL APPROVAL FILE NO.:E153399  
 ENEC CERTIFICATE NO.:NO3715  
 NEMKO CERTIFICATE NO.:P09211556/A1  
 CQC CERTIFICATE NO.10002049681  
 CB CERTIFICATE NO.:NO62986/A2

4. 柄的颜色ACTUATOR COLOR: 白色WHITE  
 基座的颜色HOUSING COLOR: 白色WHITE  
 5. 柄的印字形式ACTUATOR PRINTING:" 16(4)A 250V~T125/55" 黑色BLACK COLOR  
 6. 所有部件均使用环保材料  
 ALL MATERIALS USE IN CONFORMITY WITH THE RoHS DIRECTIVE  
 7. "○"关键尺寸DENOTES CRITICAL DIMENSIONS.

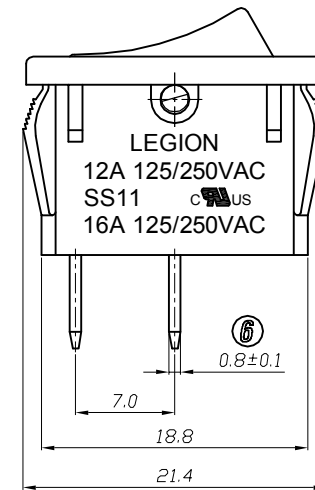
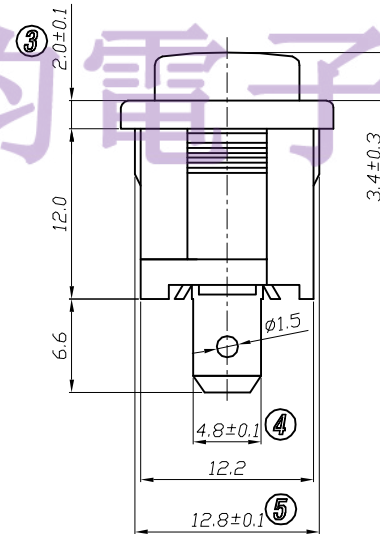
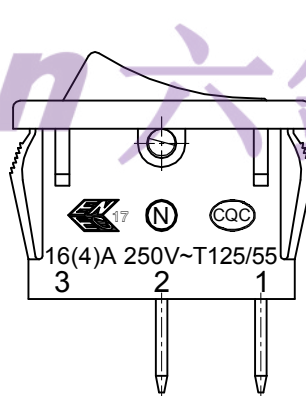
TEL: 0769-82310511-867



PANEL CUTOUT DIMENSION



PANEL THICKNESS	X	Y
0.8~1.2mm	19.2 <sup>+0</sup> <sub>-0.1</sub> mm	12.9 <sup>+0.1</sup> <sub>-0</sub> mm
1.3~2.0mm	19.4 <sup>+0</sup> <sub>-0.1</sub> mm	12.9 <sup>+0.1</sup> <sub>-0</sub> mm
2.1~2.5mm	19.8 <sup>+0</sup> <sub>-0.1</sub> mm	12.9 <sup>+0.1</sup> <sub>-0</sub> mm



NO	DESCRIPTION	NO	DESCRIPTION	DIMENSIONAL TOLERANCES		APPROVED	CHECKED	DESIGN	DRAWN	ALL SIZE ARE IN			
				RANGE	TOLERANCE					MM	NO		
				X	±0.30					MAT'L	***		
				X.X	±0.20					MATERIAL NO.		DRAWING NO.	REV.
				X.XX	±0.10								
				ANGLES	±1°								
LEGION ELECTRONIC & HARDWARE CO., LTD.										SS11-WWIBQ-R20-R		WIF119011	A

## X-ON Electronics

Largest Supplier of Electrical and Electronic Components

*Click to view similar products for [Rocker Switches](#) category:*

*Click to view products by [Legion](#) manufacturer:*

Other Similar products are found below :

[LTILA6E-1S-WH-RC-FN12VXCR1](#) [6-1571986-9](#) [8007K26N324V52](#) [8055K23Z7V](#) [8055K32Z7V](#) [8055K52Z7V](#) [8138K20E6M50](#)  
[PREDD4-07F-BB0FW](#) [PREDD5-07F-BB0GW](#) [999-16716-002](#) [A101J1V3Q004](#) [A103J1ZQ004](#) [A201J1AQ004](#) [A201J50ZQ004](#)  
[H8653VBBG2577W](#) [HB130CHNWWNAAC](#) [R13112ABB-602W](#) [1251.0303](#) [1352.0107](#) [1500G51E](#) [1571099-3](#) [1571987-4](#) [1571987-5](#)  
[1571988-5](#) [B123J77V7B2](#) [160212E](#) [1634200-7](#) [1801.1164](#) [PANEL-PLUG-VHP-BLACK](#) [PANEL-PLUG-VHP-WT](#) [K2ABAAAAAA](#)  
[250011E714](#) [2600R21E](#) [260413E](#) [2639LH/2A7/127000L0](#) [LL3AZXX-100-XGT1](#) [LL3AZXX-100-XHS1](#) [LL3AZXX-100-XSD1](#) [30-695B](#)  
[160311E](#) [A103J3ZQ004](#) [A201J61ZQ0004](#) [1852.1102](#) [1890.1104](#) [191.081.011](#) [AE107J1AQ004](#) [1935.3128](#) [1935.3133](#) [1MR7-B](#)  
[SY236CD6U622](#)