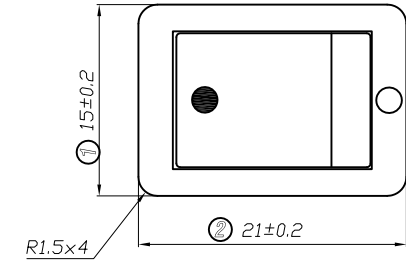
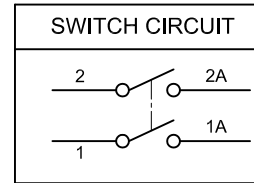


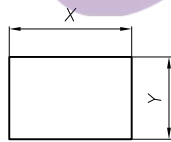
1. 跷板开关型号 ROCKER SWITCH MODEL  
NO.SS21-BBDWG2-R(0.6mm)  
2. 快插端子 QUICK CONNECTOR TYPE  
3. 额定值 RATING:10A 125/250VAC(C-UL)  
12(4)A 250V~T85/55(ENEC17;NEMKO;CQC;KC)

CUL APPROVAL FILE NO.E153399  
ENEC17 CERTIFICATE NO.3704  
NEMKO CERTIFICATE NO.P15219978  
CQC CERTIFICATE NO.CQC10002046596  
CB CERTIFICATE NO.87398  
KC CERTIFICATE NO.SU02099-17001

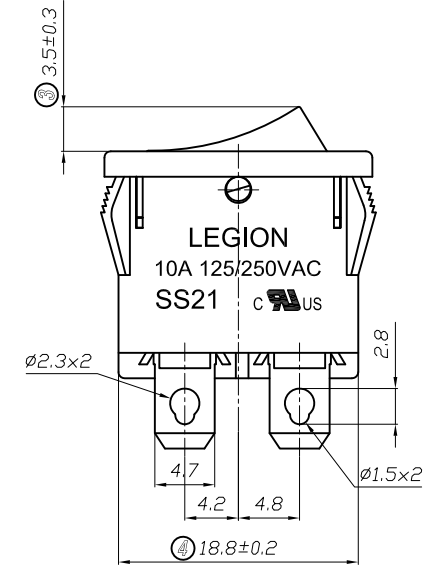
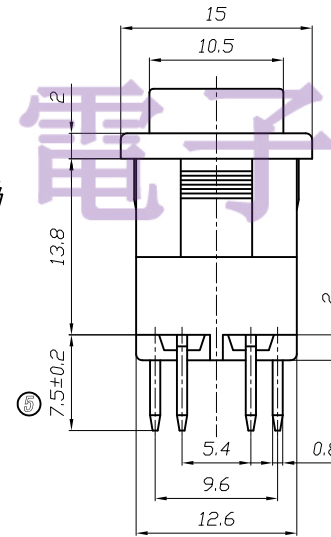
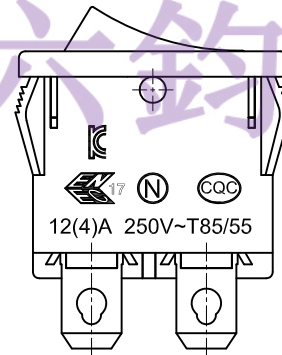
4. 柄的颜色 ACTUATOR COLOR:BLACK  
5. 基座的颜色 HOUSING COLOR: BLACK  
6. 柄的印字形式 ACTUATOR PRINTING:"●"白色 WHITE COLOR  
7. 银触点 SILVER CONTACT:AgSnO2In2O3 (t=0.6mm)  
8. 所有部件均使用环保材料  
ALL MATERIALS USING MEET THE RoHS DIRECTIVE  
9. "O"表示关键尺寸 DENOTES CRITICAL DIMENSIONS



PANEL CUTOUT DIMENSION



PANEL THICKNESS	X	Y
0.75~1.25mm	19.2 <sup>+0</sup> <sub>-0.1</sub> mm	12.9 <sup>+0.1</sup> <sub>-0</sub> mm
1.25~2.0mm	19.4 <sup>+0</sup> <sub>-0.1</sub> mm	12.9 <sup>+0.1</sup> <sub>-0</sub> mm
2.0~3.0mm	19.8 <sup>+0</sup> <sub>-0.1</sub> mm	12.9 <sup>+0.1</sup> <sub>-0</sub> mm



NO	DESCRIPTION	NO	DESCRIPTION	DIMENSIONAL TOLERANCES		APPROVED	CHECKED	DESIGN	DRAWN	ALL SIZE ARE IN		DRAWING NO.   REV.	
				RANGE	TOLERANCE					MM	NO	DRAWING NO.	REV.
				X	±0.30				LMC	SCALE			
				X.X	±0.20				2019.05.20	MATERIAL NO.			
				X.XX	±0.10					MATERIAL NO.			
				ANGLES	±1°	LEGION ELECTRONIC & HARDWARE CO., LTD.				SS21-BBDWG2-R(0.5)D/C		WIF119118	A

## X-ON Electronics

Largest Supplier of Electrical and Electronic Components

*Click to view similar products for [Rocker Switches](#) category:*

*Click to view products by [Legion](#) manufacturer:*

Other Similar products are found below :

[LTILA6E-1S-WH-RC-FN12VXCR1](#) [6-1571986-9](#) [8007K26N324V52](#) [8055K23Z7V](#) [8055K32Z7V](#) [8055K52Z7V](#) [8138K20E6M50](#)  
[PREDD4-07F-BB0FW](#) [PREDD5-07F-BB0GW](#) [999-16716-002](#) [A101J1V3Q004](#) [A103J1ZQ004](#) [A201J1AQ004](#) [A201J50ZQ004](#)  
[H8653VBBG2577W](#) [HB130CHNWWNAAC](#) [R13112ABB-602W](#) [1251.0303](#) [1352.0107](#) [1500G51E](#) [1571099-3](#) [1571987-4](#) [1571987-5](#)  
[1571988-5](#) [B123J77V7B2](#) [160212E](#) [1634200-7](#) [1801.1164](#) [PANEL-PLUG-VHP-BLACK](#) [PANEL-PLUG-VHP-WT](#) [K2ABAAAAAA](#)  
[250011E714](#) [2600R21E](#) [260413E](#) [2639LH/2A7/127000L0](#) [LL3AZXX-100-XGT1](#) [LL3AZXX-100-XHS1](#) [LL3AZXX-100-XSD1](#) [30-695B](#)  
[160311E](#) [A103J3ZQ004](#) [A201J61ZQ0004](#) [1852.1102](#) [1890.1104](#) [191.081.011](#) [AE107J1AQ004](#) [1935.3128](#) [1935.3133](#) [1MR7-B](#)  
[SY236CD6U622](#)