

承 認 書

SPECIFICATION FOR APPROVAL

*客戶名稱 :
Customer name

*產品名稱 : 翘板开关
Product Description

*產品型號 : SS21-BBIWG-R
Product part number

*客戶料號 :
Customer's material number

*數量 : 0 PCS
Quantity

*日期 : 2024-1-11
Date

供應商負責人簽名		客戶負責人確認簽回	
製作人	莫丽琴	承認人	
審核	郭远维	審核	
批准	王瑞宝	批准	

皓宇(香港)有限公司
HAOYU (HONG KONG) LIMITED
东莞市六均电子五金有限公司
DONGGUAN CITY LEGION ELECTRONIC CO., LTD
富力隆电子(深圳)有限公司
ROCKTEK ELECTRONICS (SHENZHEN) CO. LTD
東莞市石碣鎮四村第一工業區
Sicun 1st Industrial park, Sicun,
Shijie Town, Dongguan

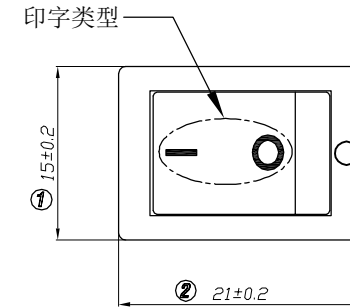
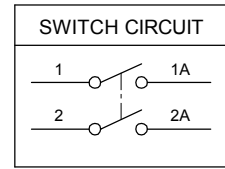
電話 : (86) 769-82310511-867
Tel No

傳真 : (86) 769-82310510
Fax No

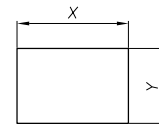
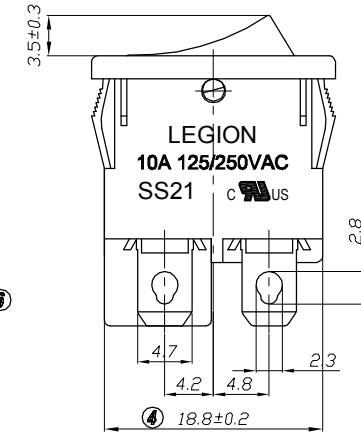
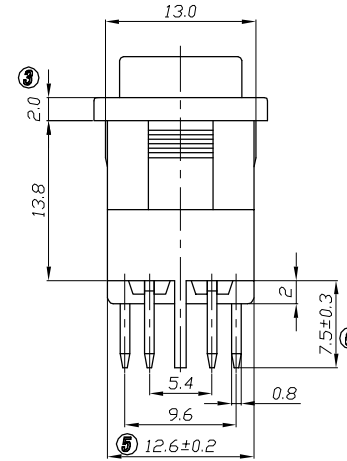
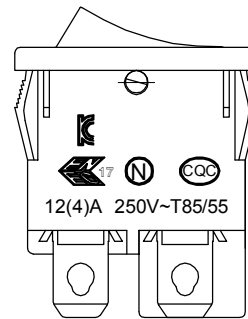
郵箱 : hooya89@hooya.hk
E-mail

核 准 :
Approved

- 1.电路 CIRCUIT:ON/OFF
- 2.额定值 RATING:10A 125/250VAC(UL;C-UL)
12(4)A 250V~T85/55(ENEC17;NEMKO;CQC;KC)
- 3.接触电阻 CONTACT RESISTANCE: <50mΩ
- 4.绝缘阻抗 INSULATION RESISTANCE: >100MΩ
(500VDC BETWEEN OPEN CONTACTS)
- 5.耐电压 DIELECTRIC STRENGTH: >1500VAC 0.5mA 1 MINTUTE
- 6.所有部件均使用环保材料
ALL MATERIALS USING MEET THE RoHS DIRECTIVE



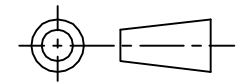
△1	品名	颜色		印字类型
		上盖	基座	
	SS21-BBNG-R	黑色	黑色	
	SS21-BBAWG-R	黑色	黑色	
	SS21-BBDWG-R	黑色	黑色	
	SS21-BBGWG-R	黑色	黑色	
	SS21-BBIWG-R	黑色	黑色	
	SS21-BBOWG-R	黑色	黑色	
	SS21-BBTWG-R	黑色	黑色	
	SS21-BBMWG-R	黑色	黑色	
	SS21-RBOWG-R	红色	黑色	
	SS21-WWTBG-R	白色	白色	
	SS21-WWOBG-R	白色	白色	
	SS21-WWIBG-R	白色	白色	
	SS21-RBIWG-R	红色	黑色	



PANEL CUTOUT DIMENSION

PANEL THICKNESS	X	Y
0.75~1.25mm	19.2 ⁺⁰ _{-0.1} mm	12.9 ^{+0.1} ₋₀ mm
1.25~2.0mm	19.4 ⁺⁰ _{-0.1} mm	12.9 ^{+0.1} ₋₀ mm
2.0~3.0mm	19.8 ⁺⁰ _{-0.1} mm	12.9 ^{+0.1} ₋₀ mm

5	→	10	→	DIMENSIONAL TOLERANCES		APPROVED	CHECKED	DESIGN	DRAWN	ALL SIZE ARE IN		MM	
				RANGE	TOLERANCE					SCALE	NO		
4	→	9	→	X	±0.30	LMC 2019.05.20				MAT'L	***	DRAWING NO.	REV.
3	→	8	→	X.X	±0.20					MATERIAL NO.	SS21-****G-R		
2	→	7	→	X.XX	±0.10								
1	合并图纸 2020.07.18	6	→	ANGLES	±1'					LEGION ELECTRONIC & HARDWARE CO., LTD.			
NO	DESCRIPTION	NO	DESCRIPTION										



LEGION ELECTRONIC & HARDWARE CO., LTD.

翘板式开关 测试规格

SS21 SERIES SWITCHES TEST SPECIFICATION

1. TEST CONDITION (测试环境):

THE SWITCH IS TESTED AT A TEMPERATURE RANGE OF 0~55°C AND RELATIVE HUMIDITY RANGE OF 45~85%. OPERATING TEMPERATURE RANGE 0~125°C; STORAGE TEMPERATURE RANGE: 5~55°C (NORMAL HUMIDITY AND PRESS)

* 测试温度范围 : 0 ~ 55°C * 相对湿度范围 : 45 ~ 85%

* 工作温度范围 : 0 ~ 125°C * 储存温度范围 : 0 ~ 55°C

2. RATING (额定):

(1) . 10A 125/250VAC FOR UL;C-UL

(2) . 12(4)A 250V~T85/55 FOR ENEC17;NEMKO;CQC

3. ELECTRICAL PERFORMANCE (电气性能):

3-1. CONTACT RESISTANCE (接触电阻):

MEASURED BY FALL OF POTENTIAL METER AT DC 0.2 V/1A SHOULD BE LESS THAN 50mΩ INITIAL.

* 以微电阻计在 DC 0.2V/1A 的测试规格值下, 接触电阻值应该小于 50mΩ.

3-1 INSULATION RESISTANCE (绝缘电阻):

MEASURED WITH DC 500V APPLIED BETWEEN TERMINALS OF OPEN CONTACTS AND BETWEEN TERMINALS OF OPPOSITE POLARITY, SHOULD BE MORE THAN 100MΩ.

* 绝缘电阻计于 DC 500V 设定值下量测于开路的端子或不同回路的端子, 其绝缘电阻值应该大于 100MΩ.

3-3 DIELECTRIC STRENGTH (耐电压):

THE SWITCH SHALL WITHSTAND WITHOUT BREAKDOWN A POTENTIAL OF AC 1500V 0.5mA FOR 1 MINUTE BETWEEN TERMINALS OF OPEN CONTACTS AND TERMINALS OF OPPOSITE POLARITY, AC 3000V 0.5mA FOR 1 MINUTE BETWEEN TERMINALS AND METAL COVER.

* 不同极的两支端子开路时, 必须通过一分钟 0.5mA 1500VAC 的耐电压.

* 端子与外壳, 必须通过一分钟 0.5mA 3000VAC 的耐电压.

4. MECHANICAL PERFORMANCE (机械性能):

4-1. OPERATION FORCE (操作力量):

NON-PULSE(不回弹): SINGLE POLE(单极) 400±200gf DOUBLE POLE(双极): 800±300gf

4-2. TERMINAL STRENGTH (端子强度):

A STATIC FORCE OF 2.27 Kgf (PCB TYPE) OR 8.5Kgf (QUICK CONNECTOR) BEING APPLIED IN ONE DIRECTION ON THE TIP OF THE TERMINAL FOR 1 MINUTE. THE TERMINAL MAY BE DEFORMED, BUT SHALL NOT SUSTAIN ANY TROUBLE AS DEVIATION AND BREAKING OF TERMINAL, AND BREAKING OF INSULATION MATERIAL.

* 施以固定 PCB 端子 2.27Kgf/快插端子 8.5 Kgf 的力量于同一方向在端子的顶端一分钟, 端子允许变形, 但是不可以有任何位移(偏向)与端子断裂及绝缘材料的破裂.

5. OVERLOAD AND ENDURANCE TEST (过负载与寿命测试):

THE SWITCH SHALL BE OPERATED ACCORDING TO FOLLOWING TABLE

* 开关应该依照下列表格的操作方式进行测试.

UL & C-UL STANDARD (北美标准)

CONDITION 测试状况	VOLTAGE 测试电压	CURRENT 测试电流	P. F. 功率因素	OPERATION SPEED 操作速率	NUMBER OF OPERATION 操作次数	SAFETY APPLICATION 适用安规
OVERLOAD 过负载	250VAC	15A	0.75~0.8	8 CYCLES PER MINUTE 每分钟 8 次	50 CYCLES 50 次	UL&C-UL
ENDURANCE 寿命测试	250VAC	10A	0.75~0.8	8 CYCLES PER MINUTE 每分钟 8 次	10000 CYCLES 10000 次	UL&C-UL

EUROPE STANDARD (欧洲标准)

INCREASED VOLTAGE TEST AT ACCELERATED SPEED (增加伏特数的加速测试)

CONDITION 测试状况	VOLTAGE 测试电压	CURRENT 测试电流	P. F. 功率因素	OPERATION SPEED 操作速率	NUMBER OF OPERATION 操作次数	SAFETY APPLICATION 适用安规
MAKING 闭路	287.5VAC	24A	0.6	15 CYCLES PER MINUTE 每分钟 15 次	100 Cycles 100 次	ENEC17/ NEMKO
BREAKING 开路		12A	0.95			

TEST AT LOW SPEED (低速测试)

MAKING 闭路	250VAC	24A	0.6	15CYCLES PER MINUTE 每分钟 15 次	100 Cycles 100 次	ENEC17/ NEMKO
BREAKING 开路		12A	0.95			

TEST AT ACCELERATED SPEED (加速测试)

MAKING 闭路	250VAC	24A	0.6	15 CYCLES PER MINUTE 每分钟 15 次	9800 Cycles 9800 次	ENEC17/ NEMKO
BREAKING 开路		12A	0.95			

6. TEMPERATURE TEST (温升试验):

THE TEMPERATURE TEST SHOULD BE TAKEN AFTER ENDURANCE TEST WITH ITS RATED CURRENT AND VOLTAGE.

THE TEMPERATURE RISING SHALL NOT BE MORE THAN 55°C.

* 温升测试应该于寿命测试结束后随即测试, 以同样的电流与电压量测, 温升值必须低于摄氏 55°.

7. SOLDERING (焊锡特性):

IMMERSE THE TERMINAL LEADS INTO MOLTEN SOLDER AT TEMPERATURE OF $230\pm 5^{\circ}\text{C}$ FOR 3 ± 0.5 SECONDS. MORE THAN 75% OF PART IMMersed SHOULD BE COVERED WITH SOLDER.

* 端子浸入 $230\pm 5^{\circ}\text{C}$ 温度溶化的焊锡中 3 ± 0.5 秒, 75%以上的部分应该被焊锡包覆.

8. SOLDERING HEAT RESISTANCE OF BASE (基座抗热性):

TEMPERATURE AND DURATION OF DIPPING

TYPE OF TERMINAL 端子型式	TEMPERATURE 温度	DIPPING TIME 焊锡时间
TERMINAL FOR PCB WIRING * PCB 端子	$260^{\circ}\text{C} \pm 5^{\circ}\text{C}$ Max.	3 SECONDS Max.
TERMINAL FOR LEAD WIRING * 焊线端子	$350^{\circ}\text{C} \pm 5^{\circ}\text{C}$ Max.	3 SECONDS Max.

THERE SHALL NOT BE EXTREME DEFORMING IN APPEARANCE.

ELECTRICAL PERFORMANCE OF THE ABOVE ITEM 3 SHALL BE ASSURED.

* 基座不可以有极度变形状况发生.

* 上文第 3 项的电子性能应该被保证.

9. NOTICE (开关使用注意事项):

9-1. When welding, any pressure applied to the terminals may cause conditions as loose deformation of terminals and electrical degradations.

给端子进行焊接时, 如果在端子上施加负荷, 因条件不同会有松动、变形、及电特性退化的可能, 请在使用时注意.

9-2. When welding, water-soluble flux may causes corrosion to switches.

For second time welding job, please proceed welding after it is recovered to room temperature.

焊接时, 水溶剂助焊剂有可能腐蚀开关的可能, 请避免使用.

进行二次焊接时, 请在第一次焊接部份恢复到常温之后再行进行.

9-3. Continuous heating may cause loose off, deformation of terminals and electrical degradations.

连续加热可能使外围部变形、端子松动, 脱落及电特性降低.

9-4. Do not clean it with water.

不能用水清洗

9-5. After final assembly as a completed product, please make sure that there' s no erosion gas/materials released from peripheral parts/materials as it may causes contact failure of switches.

如果使用开关的整机的周边材料产生腐蚀性气体, 有可能造成接触不良等现象, 所以请事先进行充分确认.

9-6. Storage (储存和保管)

a. Keep it storage under normal temperature, humidity and prevent from direct sunshine, erosion gas. Products sure be used within 6 months.

产品以交货时的状态在常温，常湿，不受直射阳光照射，不产生腐蚀性气体的场所保管，自交货起 6 个月以内为限度，请尽可能快的使用。

b. For small quantity which taken from main packages, please keep it in plastic bags and sealed. And have it storage under up-mentioned environment.

开封后用塑料袋与外界气体隔断，请在与上述相同环境下保管，并尽快使用。

c. Do not pile up package more than 2 levels.

请不要过分地堆积。

修订日期 REVISED DATE	修订内容 DESCRIPTION	修订者 REVISED BY	文件编号 FILE NO.	制定 WRITE BY	审核 CHECKED BY	核准 APPROVED BY
07-Jan-2017	操作力 500 改为 800	管林华	SPEC-003	易雅琦 2008/11/25		
16-Dec-2016	操作力 200 改为 300	刘美昌	版次 VERSION			
30-May-2015	取消 ENEC10;VDE 安规	唐彪	A 版 4 次			



产品认证证书

证书编号: CQC10002046596

发证日期: 2022年05月31日

有效期至: 2026年12月23日

委托人名称 六钧电子有限公司
及注册地址 香港九龙官塘海滨道 151-153 号广生行中心 6 楼 609 室

制造商名称 东莞市六钧电子五金有限公司
及注册地址 广东省东莞市石碣镇石碣科技东路 198 号 1 栋 402 室

生产企业名称 东莞市六钧电子五金有限公司
及生产地址 广东省东莞市石碣镇石碣科技东路 198 号 1 栋 402 室

产品名称和系列、规格、型号 跷板开关
SS21 系列 16(4)A 125VAC 或 250VAC 50Hz 40T125/55 1E4 16A 或 12A 或 10A 或 6A 或 3A 或 2A 或 1A 125VAC 或 250VAC 50Hz 40T125/55 1E4 16A 或 12A 或 10A 或 6A 或 3A 或 2A 或 1A 42VDC 或 30VDC 或 24VDC 或 12VDC 40T125/55 1E4 耐热 850°C PTI175 锡焊端子 污染等级 2

产品标准和技术要求 GB/T 15092.1-2020;GB/T 15092.101-2020

认证模式 产品型式试验+初次工厂检查+获证后监督

上述产品符合 CQC11-462124-2009 认证规则的要求, 特发此证。
本证书为变更证书, 证书首次颁发日期: 2010 年 06 月 09 日
证书有效期内本证书的有效性依据发证机构的定期监督获得保持。

可通过扫描下方二维码或登录国家认监委网站 (www.cnca.gov.cn) 查验证书信息



签发: 谢肇煦



中国质量认证中心

Licence for use of the here shown ENEC conformity mark :



Based on:

Agreement on the use of a commonly agreed Mark on Conformity for equipment complying with European Standards as of 12 November 1991 (in short ENEC Agreement), as revised latest by ENEC group April 16. 1997.

Nemko hereby grants the following manufacturer as licensee the right to affix this ENEC mark on the product(s) specified below.

Product	Rocker Switch
Applicant	Legion Electronic Co., Ltd. FLAT/RM 609 6/F, KWONG SANG HONG CENTRE, 151-153 HOI BUN ROAD, KWUN TONG KL Hong Kong
Manufacturer	Dong Guan Legion Electronic & Hardware Co., Ltd. Room 402, Building 1, East Technology Road 198, Shijie town Dongguan City Guangdong Province China
Factory	Dong Guan Legion Electronic & Hardware Co., Ltd. Room 402, Building 1, East Technology Road 198, Shijie town Dongguan City Guangdong Province China
Ratings	<input type="checkbox"/> See next page(s) 12(4)A 250V AC, 50/60Hz, T85/55, 1E4; 16(6)A, 12(4)A, 125/250V AC, 50/60Hz, T125/55, 1E4; 21A, 10A, 125/250V AC, 50/60Hz, T125/55, 1E4; 21A GP, 10A GP, 125/250V AC, 50/60Hz, T125/55, 1E4; 15A, 13A, 12A, 10A, 6A, 25/36/50VDC, T125/55, T85/55, 1E4
Trade mark	LEGION
Model / Type Ref.	SS21 Series
Principal characteristics	<input checked="" type="checkbox"/> See page 2
A sample of the product was tested and found to be in conformity with	INST EN IEC 61058-1:2018 EN 61058-1-1:2016
The conditions for this licence are that the the Test Report with Order No:	ENEC-marked products conform with the applicable Standard(s) as stated in 465284 and 465284-1 This certificate replaces previous certificate NO4466, due to changed in address of applicant, manufacturer and factory
Additional model(s)	<input type="checkbox"/> See next page(s)

and that Articles 8 and 9 of the ENEC Agreement are fulfilled by the manufacturer. The mark signifies the compliance of the completed products with these conditions. Further information is given in the attached Annex, which forms an obligatory part of this licence document. This licence has been issued under the presumption and conditional on the fact that the licensee holds all necessary legal rights with regard to the product presented for testing and certification.

Date of issue 26-05-2022



Juan Z. Saussey

Certification Department

Nemko GroupPhilip Pedersens vei 11, 1366 Lysaker, Norway
TEL +47 22 96 03 30 EMAIL info@nemko.com
ENTERPRISE NUMBER NO974404532

Licence for use of the here shown ENEC conformity mark :



Principal characteristics

Model name: SS21 Series

12(4)A 250VAC

Rocker switch for Class II appliances, Code 1.2 or 1.4, 1E4 cycles, full disconnection, level 3, T85/55, PTI 175, IP40, with tab terminals

Model name: SS21 Series

16(6)A, 12(4)A, 125/250Vac

Rocker switch for Class II appliances, Code 1.2 or 1.4, 1E4 cycles, full disconnection, level 3, T125/55, PTI 175, IP40, with tab terminals

Model name: SS21 Series

21A, 10A, 125/250Vac

Rocker switch for Class II appliances, Code 1.2 or 1.4, 1E4 cycles, full disconnection, level 3, T125/55, PTI 175, IP40, with tab terminals

Model name: SS21 Series

21A GP, 10A GP, 125/250Vac

Rocker switch for Class II appliances, Code 1.2 or 1.4, 1E4 cycles, full disconnection, level 3, T125/55, PTI 175, IP40, with tab terminals

Model name: SS21 Series

15A, 13A, 12A, 10A, 6A, 25/36/50VDC

Rocker switch for Class II appliances, Code 1.2 or 1.4, 1E4 cycles, full disconnection, level 3, T125/55, T85/55, PTI 175, IP40, with tab terminals

Date of issue 26-05-2022



Juan Z. Saussey

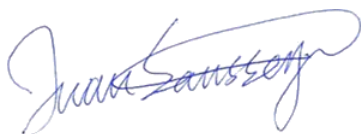
Certification Department

Nemko Group

Philip Pedersens vei 11, 1366 Lysaker, Norway
TEL +47 22 96 03 30 EMAIL info@nemko.com
ENTERPRISE NUMBER NO974404532

Product	Rocker Switch
Applicant	Legion Electronic Co., Ltd. FLAT/RM 609 6/F, KWONG SANG HONG CENTRE, 151-153 HOI BUN ROAD, KWUN TONG KL Hong Kong
Manufacturer	Dong Guan Legion Electronic & Hardware Co., Ltd. Room 402, Building 1, East Technology Road 198, Shijie town Dongguan City Guangdong Province China
Factory	Dong Guan Legion Electronic & Hardware Co., Ltd. Room 402, Building 1, East Technology Road 198, Shijie town Dongguan City Guangdong Province China
Ratings	12(4)A 250V AC, 50/60Hz, T85/55, 1E4; 16(6)A, 12(4)A, 125/250V AC, 50/60Hz, T125/55, 1E4; 21A, 10A, 125/250V AC, 50/60Hz, T125/55, 1E4; 21A GP, 10A GP, 125/250V AC, 50/60Hz, T125/55, 1E4; 15A, 13A, 12A, 10A, 6A, 25/36/50VDC, T125/55, T85/55, 1E4
Trade mark	LEGION
Model / Type Ref.	SS21 Series
Principal characteristics	More information see page 2
A sample of the product was tested and found to be in conformity with	INST EN IEC 61058-1:2018 EN 61058-1-1:2016
Replaces	This certificate replaces previous certificate No. P19223891, due to changed in address of applicant, manufacturer and factory
Validity	This certificate documents conformity with the standards shown, and also applies as license for use of Nemkos name and certification mark. The certificate and license is valid as long as the applicable conditions are complied with, and provided that any changes to the product are notified to Nemko for acceptance prior to implementation. New standards or amendments to the standards may imply that the product design must be updated and/or that re-testing and re-certification is necessary.
Additional information	See page 2
Additional model(s)	No additional models

Date of issue 26-05-2022



Juan Z. Saussey
Certification Department

Nemko Group

Philip Pedersens vei 11, 1366 Lysaker, Norway
TEL +47 22 96 03 30 EMAIL info@nemko.com
ENTERPRISE NUMBER NO974404532

Additional information

Model name: SS21 Series
12(4)A 250VAC

Rocker switch for Class II appliances, Code 1.2 or 1.4, 1E4 cycles, full disconnection, level 3, T85/55, PTI 175, IP40, with tab terminals

Model name: SS21 Series
16(6)A, 12(4)A, 125/250Vac

Rocker switch for Class II appliances, Code 1.2 or 1.4, 1E4 cycles, full disconnection, level 3, T125/55, PTI 175, IP40, with tab terminals

Model name: SS21 Series
21A, 10A, 125/250Vac

Rocker switch for Class II appliances, Code 1.2 or 1.4, 1E4 cycles, full disconnection, level 3, T125/55, PTI 175, IP40, with tab terminals

Model name: SS21 Series
21A GP, 10A GP, 125/250Vac

Rocker switch for Class II appliances, Code 1.2 or 1.4, 1E4 cycles, full disconnection, level 3, T125/55, PTI 175, IP40, with tab terminals

Model name: SS21 Series
15A, 13A, 12A, 10A, 6A, 25/36/50VDC

Rocker switch for Class II appliances, Code 1.2 or 1.4, 1E4 cycles, full disconnection, level 3, T125/55, T85/55, PTI 175, IP40, with tab terminals

Date of issue 26-05-2022



Juan Z. Saussey

Certification Department

Nemko Group

Philip Pedersens vei 11, 1366 Lysaker, Norway
TEL +47 22 96 03 30 EMAIL info@nemko.com
ENTERPRISE NUMBER NO974404532

접수번호 : 23-002335-01-1
(Receipt No.)



안전인증서

Safety Certificate

안전인증번호 : SU02099-17001A
(Certificate No.)

제조업자/수입업자명 : DONG GUAN LEGION ELECTRONIC & HARDWARE CO.,LTD
(Manufacturer/importer)

주소 : Room 402, Building 1, East Technology Road 198, Shijie town,
(Address) Dongguan City, Guangdong Province, China

제품명 : 전기기기용 스위치 (Rocker Switch)
(Product)

기본모델명 : SS21
(Basic Model)

파생모델명 : See the attachment 2
(Series Model)

정격/안전기준상의 모델구분 : 12(4) A, AC 250 V, 1E4, T85/55
(Rating)

시험기준 : KC61058-1(2015-09)
(Standard)

본 인증서는 제조국명 : 중국
제조업자명 : DONG GUAN LEGION ELECTRONIC & HARDWARE CO.,LTD
제조공장의 주소 : Room 402, Building 1, East Technology Road 198, Shijie town, Dongguan City, Guangdong Province, China
의 제품에만 해당함

「전기용품 및 생활용품 안전관리법 시행규칙」 제9조제2항, 제4항, 제10조제2항 또는 제15조제2항에 따라 안전인증서를 발급합니다.

We Issue This Safety Certificate for the above appliances in accordance with the Article 9(2),9(4),10(2) or 15(2) of the Enforcement Rule of the Electrical Appliances and Consumer Products Safety Control Act.

2023 년 02 월 16 일
Year month day

한국산업기술시험원장
KOREA TESTING LABORATORY



* 이 인증서는 「전기용품 및 생활용품 안전관리법 시행규칙」에 따른 제품의 안전성 확인에 한정된 것이며, 그 밖의 다른 법률이 적용되는 제품의 경우에는 해당 법률에 따라 추가로 인증·허가 등을 받아야 합니다.

첨부서류

1. 전기용품의 안전관리부품 및 재질목록(List of Critical Components)
2. 기본모델·파생모델의 내용 (Descriptions of the basic and series model)
3. 안전인증의 변경 현황 (Revisions Status)

WOYR2.E153399 - Switches, Appliance and Special Use - Component

Switches, Appliance and Special Use - Component

LEGION ELECTRONIC CO LTD

Flat / Rm 609, 6/F., Kwong Sang Hong Centre
 151-153 Hoi Bun Road
 Kwun Tong
 Kowloon, Hong Kong

E153399

Investigated to ANSI/UL 61058-1

Cat. No.	Load	Amps	Volts	Hz	Temp (°C)	Pol/ Cir	Endurance		IP	Dis (mm)	SPCA	Std. Ed.
							30C cycle	55C cycle				
Appliance Switches												
RT-M3 may be f/b any letters or digits: f/b B or C: f/b any letters or digits	GP	50m-3	125/250	50/60	40T125/55	1/1-1.2	6K	10K	40	micro	20N02,09N01	-
	GP	50m-1.5	125/250	50/60	40T125/55	1/1-1.2	6K	50K	40			
	R	50m-3	125/250	50/60	40T125/55	1/1-1.2	6K	10K	40			
	R	50m-1.5	125/250	50/60	40T125/55	1/1-1.2	6K	50K	40			
	RM	50m-3(1)	125/250	50/60	40T125/55	1/1-1.2	6K	10K	40			
	RM	50m-1.5(1)	125/250	50/60	40T125/55	1/1-1.2	6K	50K	40			
	R	50m-3	125/250	DC	40T125/55	1/1-1.2	6K	10K	40			
	R	50m-1.5	125/250	DC	40T125/55	1/1-1.2	6K	50K	40			

Feedback

"FR04 series"													
FR04 Series	GP	3-26	125/250	50/60	40T125	1-4/1	-	10K	30	full	-	-	-
	GP	3-26	125/250	50/60	40T85	1-4/1	-	10K	-				
	R	3-26	125/250	50/60	40T125	1-4/1	-	10K	-				
	R	3-26	125/250	50/60	40T85	1-4/1	-	10K	-				
	R	3-20	12-42	DC	40T125	1-4/1	-	10K	-				
	R	3-20	12-42	DC	40T85	1-4/1	-	10K	-				
	RM	6~20(3~10)	125/250	50/60	40T125	1-4/1	-	10K	-				
	RM	6~20(3~10)	125/250	50/60	40T85	1-4/1	-	10K	-				
"RT-M1 series"													
RT-M1 Series	GP	3-22	125/250	50/60	40T125	1/2-1.2	6K	50K	40	full	-	-	-
	R	3-22	125/250	50/60	40T125	1/2-1.2	6K	50K	-				
	R	3-22	12-42	DC	40T125	1/2-1.2	6K	50K	-				
	GP	3-22	125/250	50/60	40T85	1/2-1.2	6K	50K	-				
	R	3-22	125/250	50/60	40T85	1/2-1.2	6K	50K	-				
	R	3-22	12-42	DC	40T85	1/2-1.2	6K	50K	-				
	GP	3-22	125/250	50/60	40T125	1/2-1.2	6K	10K	-				
	R	3-22	125/250	50/60	40T125	1/2-1.2	6K	10K	-				
	R	3-22	12-42	DC	40T125	1/2-1.2	6K	10K	-				
	GP	3-22	125/250	50/60	40T85/125	1/2-1.2	6K	10K	-				
	R	3-22	125/250	50/60	40T85/125	1/2-1.2	6K	10K	-				
	R	3-22	12-42	DC	40T85/125	1/2-1.2	6K	10K	-				

Feedback

	R	3-22	12-42	DC	40T85/125	1/2-1.2	6K	10K	-				
--	---	------	-------	----	-----------	---------	----	-----	---	--	--	--	--

	RM	6~22(3~13)	125/250	50/60	40T125	1/2-1.2	6K	50K	-			
	RM	6~22(3~13)	125/250	50/60	40T125	1/2-1.2	6K	10K	-			
	RM	6~22(3~13)	125/250	50/60	40T85	1/2-1.2	6K	50K	-			
	RM	6~22(3~13)	125/250	50/60	40T85	1/2-1.2	6K	10K	-			
"RT-M3"												
RT-M3 may be f/b any letters or digits: f/b A: f/b any letters or digits	GP	50m~3	125/250	50/60	40T125	1/2-1.2	6K	10K	40	micro	-	-
	GP	50m~1.5	125/250	50/60	40T125	1/2-1.2	6K	50K	-			
	R	50m~3	125/250	50/60	40T125	1/2-1.2	6K	10K	-			
	R	50m~1.5	125/250	50/60	40T125	1/2-1.2	6K	50K	-			
	RM	50m~3(1)	125/250	50/60	40T125	1/2-1.2	6K	10K	-			
	RM	50m~1.5(1)	125/250	50/60	40T125	1/2-1.2	6K	50K	-			
	R	50m~3	3~42	DC	40T125	1/2-1.2	6K	10K	-			
	R	50m~1.5	3~42	DC	40T125	1/2-1.2	6K	50K	-			
	GP	50m~3	125/250	50/60	40T125	1/2-2.3	6K	10K	-			
	GP	50m~1.5	125/250	50/60	40T125	1/2-2.3	6K	50K	-			
	R	50m~3	125/250	50/60	40T125	1/2-2.3	6K	10K	-			
	R	50m~1.5	125/250	50/60	40T125	1/2-2.3	6K	50K	-			
	RM	50m~3(1)	125/250	50/60	40T125	1/2-2.3	6K	10K	-			

Feedback

	RM	50m~1.5(1)	125/250	50/60	40T125	1/2-2.3	6K	50K	-			
	R	50m~3	3~42	DC	40T125	1/2-2.3	6K	10K	-			
	R	50m~1.5	3~42	DC	40T125	1/2-2.3	6K	50K	-			
RT-M3 may be f/b any letters or digits: f/b B or C: f/b any letters or digits	GP	50m~3	125/250	50/60	40T125	1/1-1.2	6K	10K	40	micro	-	-
	GP	50m~1.5	125/250	50/60	40T125	1/1-1.2	6K	50K	-			
	R	50m~3	125/250	50/60	40T125	1/1-1.2	6K	10K	-			
	R	50m~1.5	125/250	50/60	40T125	1/1-1.2	6K	50K	-			
	RM	50m~3(1)	125/250	50/60	40T125	1/1-1.2	6K	10K	-			
	RM	50m~1.5(1)	125/250	50/60	40T125	1/1-1.2	6K	50K	-			
	R	50m~3	3~42	DC	40T125	1/1-1.2	6K	10K	-			
	R	50m~1.5	3~42	DC	40T125	1/1-1.2	6K	50K	-			
"VS12 Series"												
VS12 f/b M, H, C or N, f/b 01, 11 or 12, may be f/b any letters or digits	GP	1-12	125/250	50/60	T85	1/2-1.2	1K	1K	00	full 5.3	17N03	-
"VS12-B Series"												

Feedback

VS12-B f/b 33 may be f/b any letters or digits	GP	1-3	250	50/60	T85	2/1-1.3	10K	10K	00	micro	-	-
	GP	1-6	125	50/60	T85	2/1-1.3	10K	10K	-			
VS12-B, f/b 22 may be f/b any letters or digits	GP	1-3	250	50/60	T85	1/2-1.2	10K	10K	00	micro	-	-
	GP	1-6	125	50/60	T85	1/2-1.2	10K	10K	-			
VS12-B, f/b 23 may be f/b any letters or digits	GP	1-3	250	50/60	T85	1/2-1.2	10K	10K	00	micro	-	-
	GP	1-6	125	50/60	T85	1/2-1.2	10K	10K	-			
VS12-B, f/b 32 may be f/b any letters or digits	GP	1-3	250	50/60	T85	2/1-1.3	10K	10K	00	micro	-	-
	GP	1-6	125	50/60	T85	2/1-1.3	10K	10K	-			
MFR01 may be f/b any letters or digits	GP	1~8	125/250	50/60	40T125	1/M-1.2	6K	10K	40	micro	-	-
	GP	1~8	125/250	50/60	40T125	1/M-2.3	6K	10K	-			

Feedback

	R	1~8	125/250	50/60	40T125	1/M-1.2	6K	10K	-			
	R	1~8	125/250	50/60	40T125	1/M-2.3	6K	10K	-			
	RM	1~8(1~3)	125/250	50/60	40T125	1/M-1.2	6K	10K	-			
	RM	1~8(1~3)	125/250	50/60	40T125	1/M-2.3	6K	10K	-			
	R	1~8	3~42	DC	40T125	1/M-1.2	6K	10K	-			
	R	1~8	3~42	DC	40T125	1/M-2.3	6K	10K	-			
MPS01 may be f/b any letters or digits	GP	1~6	125/250	50/60	40T125/55	1/1-1.2	6K	10K	40	full	-	-
	GP	1~3	125/250	50/60	40T125/55	1/1-1.2	6K	10K	-			
	GP	1~3	125/250	50/60	40T125/55	1/1-1.2	6K	30K	-			
	R	1~6	125/250	50/60	40T125/55	1/1-1.2	6K	10K	-			
	R	1~3	125/250	50/60	40T125/55	1/1-1.2	6K	10K	-			
	R	1~3	125/250	50/60	40T125/55	1/1-1.2	6K	30K	-			
	R	1~6	3~42	DC	40T125/55	1/1-1.2	6K	10K	-			
MPS11	GP	1~16	125/250	50/60	40T125	1/1-1.2	6K	10K	40	micro	-	-
	GP	1~12	125/250	50/60	40T125	1/1-1.2	6K	50K	-			
	R	1~16	125/250	50/60	40T125	1/1-1.2	6K	10K	-			
	R	1~12	125/250	50/60	40T125	1/1-1.2	6K	50K	-			
	RM	1~16(1~6)	125/250	50/60	40T125	1/1-1.2	6K	10K	-			

Feedback

	RM	1~12(1~4)	125/250	50/60	40T125	1/1-1.2	6K	50K	-			
--	----	-----------	---------	-------	--------	---------	----	-----	---	--	--	--

	R	1~16	3~42	DC	40T125	1/1-1.2	6K	10K	-			
	R	1~12	3~42	DC	40T125	1/1-1.2	6K	50K	-			
	TV	5	125/250	50/60	40T125	1/1-1.2	10K	25K	-			
MPS21 may be f/b any letters or digits	GP	16	125/250	50/60	T125	2/1-1.3	6K	10K	40	full 2.5	-	-
	hp	3/4	125/250	50/60	T125	2/1-1.3	6K	10K	-			
MPS21 may be f/b any letters, may be f/b S1 or S2, may be f/b any letters	GP	16	125/250	50/60	T125	1/1-1.2	6K	10K	40	full 2.5	-	-
	hp	3/4	125/250	50/60	T125	1/1-1.2	6K	10K	-			
SS01 may be f/b any letters or digits	GP	1~8	125/250	50/60	40T125/55	1/1-1.2	6K	10K	40	micro	-	-
	GP	1~6	125/250	50/60	40T125/55	1/1-1.2	6K	50K	-			
	R	1~8	125/250	50/60	40T125/55	1/1-1.2	6K	10K	-			
	R	1~6	125/250	50/60	40T125/55	1/1-1.2	6K	50K	-			
	RM	1~8(1~3)	125/250	50/60	40T125/55	1/1-1.2	6K	10K	-			
	RM	1~6(1~2)	125/250	50/60	40T125/55	1/1-1.2	6K	50K	-			
	R	1~8	3~42	DC	40T125/55	1/1-1.2	6K	10K	-			

Feedback

	R	1~6	3~42	DC	40T125/55	1/1-1.2	6K	50K	-			
SS11 may be f/b any letters or digits, f/b 20 , may be f/b any letters or digits	GP	1~21	125/250	50/60	40T125/55	1/1-1.2	6K	10K	40	full	-	-
	GP	1~16	125/250	50/60	40T125/55	1/1-1.2	6K	50K	-			
	GP	1~16	125/250	50/60	40T125/55	1/1-1.2	6K	10K	-			
	R	1~21	125/250	50/60	40T125/55	1/1-1.2	6K	10K	-			
	R	1~16	125/250	50/60	40T125/55	1/1-1.2	6K	50K	-			
	R	1~16	125/250	50/60	40T125/55	1/1-1.2	6K	10K	-			
	RM	1~21(1~6)	125/250	50/60	40T125/55	1/1-1.2	6K	10K	-			
	RM	1~16(1~6)	125/250	50/60	40T125/55	1/1-1.2	6K	50K	-			
	RM	1~16(1~6)	125/250	50/60	40T125/55	1/1-1.2	6K	10K	-			
	R	1~21	3~42	DC	40T125/55	1/1-1.2	6K	10K	-			
	R	1~16	3~42	DC	40T125/55	1/1-1.2	6K	50K	-			
	R	1~16	3~42	DC	40T125/55	1/1-1.2	6K	10K	-			

SS11 may	GP	1~21	125/250	50/60	40T125/55	1/2-2.3	6K	10K	40	full	-	-
-----------------	----	------	---------	-------	-----------	---------	----	-----	----	------	---	---

be f/b any letters or digits, f/b 30 , may be f/b any letters or digits													
	GP	1~21	125/250	50/60	40T125/55	1/2-1.2	6K	10K	-				
	GP	1~16	125/250	50/60	40T125/55	1/2-2.3	6K	50K	-				
	GP	1~16	125/250	50/60	40T125/55	1/2-1.2	6K	50K	-				
	GP	1~16	125/250	50/60	40T125/55	1/2-2.3	6K	10K	-				
	GP	1~16	125/250	50/60	40T125/55	1/2-1.2	6K	10K	-				
	R	1~21	125/250	50/60	40T125/55	1/2-2.3	6K	10K	-				
	R	1~21	125/250	50/60	40T125/55	1/2-1.2	6K	10K	-				
	R	1~16	125/250	50/60	40T125/55	1/2-2.3	6K	50K	-				
	R	1~16	125/250	50/60	40T125/55	1/2-1.2	6K	50K	-				
	R	1~16	125/250	50/60	40T125/55	1/2-2.3	6K	10K	-				
	R	1~16	125/250	50/60	40T125/55	1/2-1.2	6K	10K	-				
	RM	1~21(1-6)	125/250	50/60	40T125/55	1/2-2.3	6K	10K	-				
	RM	1~21(1~6)	125/250	50/60	40T125/55	1/2-1.2	6K	10K	-				
	RM	1~16(1~6)	125/250	50/60	40T125/55	1/2-2.3	6K	50K	-				
	RM	1~16(1~6)	125/250	50/60	40T125/55	1/2-1.2	6K	50K	-				
	RM	1~16(1~6)	125/250	50/60	40T125/55	1/2-2.3	6K	10K	-				

Feedback

	RM	1~16(1~6)	125/250	50/60	40T125/55	1/2-1.2	6K	10K	-				
--	----	-----------	---------	-------	-----------	---------	----	-----	---	--	--	--	--

	R	1~21	3~42	DC	40T125/55	1/2-2.3	6K	10K	-			
	R	1~21	3~42	DC	40T125/55	1/2-1.2	6K	10K	-			
	R	1~16	3~42	DC	40T125/55	1/2-2.3	6K	50K	-			
	R	1~16	3~42	DC	40T125/55	1/2-1.2	6K	50K	-			
	R	1~16	3~42	DC	40T125/55	1/2-2.3	6K	10K	-			
	R	1-16	3~42	DC	40T125/55	1/2-1.2	6K	10K	-			
SS21 may be f/b any letters or digits	GP	21	125/250	50/60	T125/55	2/1-1.3	6K	10K	40	full 2.5	-	-
	GP	10	125/250	50/60	T125/55	2/1-1.3	6K	10K	-			
	R	21	125/250	50/60	T125/55	2/1-1.3	6K	10K	-			
	R	10	125/250	50/60	T125/55	2/1-1.3	6K	10K	-			
	RM	16(6)	125/250	50/60	T125/55	2/1-1.3	6K	10K	-			
	RM	12(4)	125/250	50/60	T125/55	2/1-1.3	6K	10K	-			
	R	6-15	25/36/50	DC	T125/55	2/1-1.3	6K	10K	-			
	R	6-15	25/36/50	DC	T85/55	2/1-1.3	6K	10K	-			

Feedback

SS21 may	GP	21	125/250	50/60	T125/55	2/1-1.3	6K	10K	40	full 2.5	-	-
-----------------	----	----	---------	-------	---------	---------	----	-----	----	----------	---	---

be f/b any letters or digits, f/b L, may be f/b any letters or digits												
	GP	10	125/250	50/60	T125/55	2/1-1.3	6K	10K	-			
	R	21	125/250	50/60	T125/55	2/1-1.3	6K	10K	-			
	R	10	125/250	50/60	T125/55	2/1-1.3	6K	10K	-			
	RM	16(6)	125/250	50/60	T125/55	2/1-1.3	6K	10K	-			
	RM	12(4)	125/250	50/60	T125/55	2/1-1.3	6K	10K	-			
	R	6-15	25/36/50	DC	T125/55	2/1-1.3	6K	10K	-			
	R	6-15	25/36/50	DC	T85/55	2/1-1.3	6K	10K	-			
SS21 may be f/b any letters or digits, may be f/b S1 or S2 may be f/b any letters or digits	GP	21	125/250	50/60	T125/55	1/1-1.2	6K	10K	40	full 2.5	-	-
	GP	10	125/250	50/60	T125/55	1/1-1.2	6K	10K	-			
	R	21	125/250	50/60	T125/55	1/1-1.2	6K	10K	-			
	R	10	125/250	50/60	T125/55	1/1-1.2	6K	10K	-			
	RM	16(6)	125/250	50/60	T125/55	1/1-1.2	6K	10K	-			

Feedback

	RM	12(4)	125/250	50/60	T125/55	1/1-1.2	6K	10K	-			
	R	6-15	25/36/50	DC	T125/55	1/1-1.2	6K	10K	-			
	R	6-15	25/36/50	DC	T85/55	1/1-1.2	6K	10K	-			
SS31 may be f/b any letters or digits f/b 20 or may be f/b any letters or digits	GP	1~26	125/250	50/60	40T125/55	1/1-1.2	6K	10K	40	full	-	-
	GP	1~26	125/250	50/60	40T125/55	1/1-1.2	6K	50K	-			
	GP	1~20	125/250	50/60	40T125/55	1/1-1.2	6K	10K	-			
	GP	1~20	125/250	50/60	40T125/55	1/1-1.2	6K	50K	-			
	GP	1~20	125/250	50/60	40T125/55	1/1-1.2	6K	100K	-			
	R	1~26	125/250	50/60	40T125/55	1/1-1.2	6K	10K	-			
	R	1~26	125/250	50/60	40T125/55	1/1-1.2	6K	50K	-			
	R	1~20	125/250	50/60	40T125/55	1/1-1.2	6K	10K	-			
	R	1~20	125/250	50/60	40T125/55	1/1-1.2	6K	50K	-			
	R	1~20	125/250	50/60	40T125/55	1/1-1.2	6K	100K	-			
	RM	1~26(1~6)	125/250	50/60	40T125/55	1/1-1.2	6K	10K	-			
	RM	1~26(1~6)	125/250	50/60	40T125/55	1/1-1.2	6K	50K	-			
	RM	1~20(1~6)	125/250	50/60	40T125/55	1/1-1.2	6K	10K	-			

Feedback

	RM	1~20(1~6)	125/250	50/60	40T125/55	1/1-1.2	6K	50K	-			
--	----	-----------	---------	-------	-----------	---------	----	-----	---	--	--	--

	RM	1~20(1~6)	125/250	50/60	40T125/55	1/1-1.2	6K	100K	-			
	R	1~20	3~50	DC	40T125/55	1/1-1.2	6K	10K	-			
	R	1~20	3~50	DC	40T125/55	1/1-1.2	6K	50K	-			
	R	1~20	3~50	DC	40T125/55	1/1-1.2	6K	100K	-			
	hp	1/3	125/250	50/60	40T125/55	1/1-1.2	6K	10K	-			
	hp	1/3	125/250	50/60	40T125/55	1/1-1.2	6K	50K	-			
	hp	3/4	125/250	50/60	40T125/55	1/1-1.2	6K	10K	-			
	hp	3/4	125/250	50/60	40T125/55	1/1-1.2	6K	50K	-			
	hp	1	125/250	50/60	40T125/55	1/1-1.2	6K	10K	-			
	hp	1	125/250	50/60	40T125/55	1/1-1.2	6K	50K	-			
SS31 may be f/b any letters or digits f/b 30 or may be f/b any letters or digits	GP	1~26	125/250	50/60	40T125/55	1/2-1.2	6K	10K	40	full	-	-
	GP	1~26	125/250	50/60	40T125/55	1/2-1.2	6K	50K	-			
	GP	1~20	125/250	50/60	40T125/55	1/2-1.2	6K	10K	-			
	GP	1~20	125/250	50/60	40T125/55	1/2-1.2	6K	50K	-			
	GP	1~20	125/250	50/60	40T125/55	1/2-1.2	6K	100K	-			
	R	1~26	125/250	50/60	40T125/55	1/2-1.2	6K	10K	-			

Feedback

	R	1~26	125/250	50/60	40T125/55	1/2-1.2	6K	50K	-			
--	---	------	---------	-------	-----------	---------	----	-----	---	--	--	--

	R	1~20	125/250	50/60	40T125/55	1/2-1.2	6K	10K	-			
	R	1~20	125/250	50/60	40T125/55	1/2-1.2	6K	50K	-			
	R	1~20	125/250	50/60	40T125/55	1/2-1.2	6K	100K	-			
	RM	1~26(1~6)	125/250	50/60	40T125/55	1/2-1.2	6K	10K	-			
	RM	1~26(1~6)	125/250	50/60	40T125/55	1/2-1.2	6K	50K	-			
	RM	1~20(1~6)	125/250	50/60	40T125/55	1/2-1.2	6K	10K	-			
	RM	1~20(1~6)	125/250	50/60	40T125/55	1/2-1.2	6K	50K	-			
	RM	1~20(1~6)	125/250	50/60	40T125/55	1/2-1.2	6K	100K	-			
	R	1~20	3~50	DC	40T125/55	1/2-1.2	6K	10K	-			
	R	1~20	3~50	DC	40T125/55	1/2-1.2	6K	50K	-			
	R	1~20	3~50	DC	40T125/55	1/2-1.2	6K	100K	-			
	hp	1/3	125/250	50/60	40T125/55	1/2-1.2	6K	10K	-			
	hp	1/3	125/250	50/60	40T125/55	1/2-1.2	6K	50K	-			
	hp	3/4	125/250	50/60	40T125/55	1/2-1.2	6K	10K	-			
	hp	3/4	125/250	50/60	40T125/55	1/2-1.2	6K	50K	-			
	hp	1	125/250	50/60	40T125/55	1/2-1.2	6K	10K	-			
	hp	1	125/250	50/60	40T125/55	1/2-1.2	6K	50K	-			

Feedback

SS31 may	GP	1~26	125/250	50/60	40T125/55	2/1-1.5	6K	10K	40	full	-	-
-----------------	----	------	---------	-------	-----------	---------	----	-----	----	------	---	---

be f/b any letters or digits f/b 40 or may be f/b any letters or digits													
	GP	1~26	125/250	50/60	40T125/55	2/1-1.5	6K	50K	-				
	GP	1~20	125/250	50/60	40T125/55	2/1-1.5	6K	10K	-				
	GP	1~20	125/250	50/60	40T125/55	2/1-1.5	6K	50K	-				
	GP	1~20	125/250	50/60	40T125/55	2/1-1.5	6K	100K	-				
	R	1~26	125/250	50/60	40T125/55	2/1-1.5	6K	10K	-				
	R	1~26	125/250	50/60	40T125/55	2/1-1.5	6K	50K	-				
	R	1~20	125/250	50/60	40T125/55	2/1-1.5	6K	10K	-				
	R	1~20	125/250	50/60	40T125/55	2/1-1.5	6K	50K	-				
	R	1~20	125/250	50/60	40T125/55	2/1-1.5	6K	100K	-				
	RM	1~26(1~6)	125/250	50/60	40T125/55	2/1-1.5	6K	10K	-				
	RM	1~26(1~6)	125/250	50/60	40T125/55	2/1-1.5	6K	50K	-				
	RM	1~20(1~6)	125/250	50/60	40T125/55	2/1-1.5	6K	10K	-				
	RM	1~20(1~6)	125/250	50/60	40T125/55	2/1-1.5	6K	50K	-				
	RM	1~20(1~6)	125/250	50/60	40T125/55	2/1-1.5	6K	100K	-				
	R	1~20	3~50	DC	40T125/55	2/1-1.5	6K	10K	-				
	R	1~20	3~50	DC	40T125/55	2/1-1.5	6K	50K	-				

Feedback

	R	1~20	3~50	DC	40T125/55	2/1-1.5	6K	100K	-				
--	---	------	------	----	-----------	---------	----	------	---	--	--	--	--

	hp	1/3	125/250	50/60	40T125/55	2/1-1.5	6K	10K	-			
	hp	1/3	125/250	50/60	40T125/55	2/1-1.5	6K	50K	-			
	hp	3/4	125/250	50/60	40T125/55	2/1-1.5	6K	10K	-			
	hp	3/4	125/250	50/60	40T125/55	2/1-1.5	6K	50K	-			
	hp	1	125/250	50/60	40T125/55	2/1-1.5	6K	10K	-			
	hp	1	125/250	50/60	40T125/55	2/1-1.5	6K	50K	-			
SS31 may be f/b any letters or digits f/b 60 or may be f/b any letters or digits	GP	1~26	125/250	50/60	40T125/55	2/2-1.5	6K	10K	40	full	-	-
	GP	1~26	125/250	50/60	40T125/55	2/2-2.5	6K	10K	-			
	GP	1~26	125/250	50/60	40T125/55	2/2-1.5	6K	50K	-			
	GP	1~26	125/250	50/60	40T125/55	2/2-2.5	6K	50K	-			
	GP	1-20	125/250	50/60	40T125/55	2/2-1.5	6K	10K	-			
	GP	1-20	125/250	50/60	40T125/55	2/2-2.5	6K	10K	-			
	GP	1-20	125/250	50/60	40T125/55	2/2-1.5	6K	50K	-			
	GP	1-20	125/250	50/60	40T125/55	2/2-2.5	6K	50K	-			
	GP	1-20	125/250	50/60	40T125/55	2/2-1.5	6K	100K	-			
	GP	1-20	125/250	50/60	40T125/55	2/2-2.5	6K	100K	-			

Feedback

	R	1~26	125/250	50/60	40T125/55	2/2-1.5	6K	10K	-			
--	---	------	---------	-------	-----------	---------	----	-----	---	--	--	--

	R	1~26	125/250	50/60	40T125/55	2/2-2.5	6K	10K	-			
	R	1~26	125/250	50/60	40T125/55	2/2-1.5	6K	50K	-			
	R	1~26	125/250	50/60	40T125/55	2/2-2.5	6K	50K	-			
	R	1~20	125/250	50/60	40T125/55	2/2-1.5	6K	10K	-			
	R	1~20	125/250	50/60	40T125/55	2/2-2.5	6K	10K	-			
	R	1~20	125/250	50/60	40T125/55	2/2-1.5	6K	50K	-			
	R	1~20	125/250	50/60	40T125/55	2/2-2.5	6K	50K	-			
	R	1~20	125/250	50/60	40T125/55	2/2-1.5	6K	100K	-			
	R	1~20	125/250	50/60	40T125/55	2/2-2.5	6K	100K	-			
	RM	1~26(1~6)	125/250	50/60	40T125/55	2/2-1.5	6K	10K	-			
	RM	1~26(1~6)	125/250	50/60	40T125/55	2/2-2.5	6K	10K	-			
	RM	1~26(1~6)	125/250	50/60	40T125/55	2/2-1.5	6K	50K	-			
	RM	1~26(1~6)	125/250	50/60	40T125/55	2/2-2.5	6K	50K	-			
	RM	1~20(1~6)	125/250	50/60	40T125/55	2/2-1.5	6K	10K	-			
	RM	1~20(1~6)	125/250	50/60	40T125/55	2/2-2.5	6K	10K	-			
	RM	1~20(1~6)	125/250	50/60	40T125/55	2/2-1.5	6K	50K	-			
	RM	1~20(1~6)	125/250	50/60	40T125/55	2/2-2.5	6K	50K	-			
	RM	1~20(1~6)	125/250	50/60	40T125/55	2/2-1.5	6K	100K	-			
	RM	1~20(1~6)	125/250	50/60	40T125/55	2/2-2.5	6K	100K	-			
	R	1~20	3~50	DC	40T125/55	2/2-1.5	6K	10K	-			

Feedback

	R	1~20	3~50	DC	40T125/55	2/2-2.5	6K	10K	-			
--	---	------	------	----	-----------	---------	----	-----	---	--	--	--

	R	1~20	3~50	DC	40T125/55	2/2-1.5	6K	50K	-			
	R	1~20	3~50	DC	40T125/55	2/2-2.5	6K	50K	-			
	R	1~20	3~50	DC	40T125/55	2/2-1.5	6K	100K	-			
	R	1~20	3~50	DC	40T125/55	2/2-2.5	6K	100K	-			
	hp	1/3	125/250	50/60	40T125/55	2/2-1.5	6K	10K	-			
	hp	1/3	125/250	50/60	40T125/55	2/2-2.5	6K	10K	-			
	hp	1/3	125/250	50/60	40T125/55	2/2-1.5	6K	50K	-			
	hp	1/3	125/250	50/60	40T125/55	2/2-2.5	6K	50K	-			
	hp	3/4	125/250	50/60	40T125/55	2/2-1.5	6K	10K	-			
	hp	3/4	125/250	50/60	40T125/55	2/2-2.5	6K	10K	-			
	hp	3/4	125/250	50/60	40T125/55	2/2-1.5	6K	50K	-			
	hp	3/4	125/250	50/60	40T125/55	2/2-2.5	6K	50K	-			
	hp	1	125/250	50/60	40T125/55	2/2-1.5	6K	10K	-			
	hp	1	125/250	50/60	40T125/55	2/2-2.5	6K	10K	-			
	hp	1	125/250	50/60	40T125/55	2/2-1.5	6K	50K	-			
	hp	1	125/250	50/60	40T125/55	2/2-2.5	6K	50K	-			

SS31 may	GP	1~26	125/250	50/60	40T125/55	1/2-3.3	6K	10K	40	full	-	-
-----------------	----	------	---------	-------	-----------	---------	----	-----	----	------	---	---

be f/b any letters or digits f/b 61 or may be f/b any letters or digits													
	GP	1~26	125/250	50/60	40T125/55	1/2-3.5	6K	10K	-				
	GP	1~26	125/250	50/60	40T125/55	1/2-3.3	6K	50K	-				
	GP	1~26	125/250	50/60	40T125/55	1/2-3.5	6K	50K	-				
	GP	1~20	125/250	50/60	40T125/55	1/2-3.3	6K	10K	-				
	GP	1~20	125/250	50/60	40T125/55	1/2-3.5	6K	10K	-				
	GP	1~20	125/250	50/60	40T125/55	1/2-3.3	6K	50K	-				
	GP	1~20	125/250	50/60	40T125/55	1/2-3.5	6K	50K	-				
	GP	1~20	125/250	50/60	40T125/55	1/2-3.3	6K	100K	-				
	GP	1~20	125/250	50/60	40T125/55	1/2-3.5	6K	100K	-				
	R	1~26	125/250	50/60	40T125/55	1/2-3.3	6K	10K	-				
	R	1~26	125/250	50/60	40T125/55	1/2-3.5	6K	10K	-				
	R	1~26	125/250	50/60	40T125/55	1/2-3.3	6K	50K	-				
	R	1~26	125/250	50/60	40T125/55	1/2-3.5	6K	50K	-				
	R	1~20	125/250	50/60	40T125/55	1/2-3.3	6K	10K	-				
	R	1~20	125/250	50/60	40T125/55	1/2-3.5	6K	10K	-				
	R	1~20	125/250	50/60	40T125/55	1/2-3.3	6K	50K	-				

Feedback

	R	1~20	125/250	50/60	40T125/55	1/2-3.5	6K	50K	-				
--	---	------	---------	-------	-----------	---------	----	-----	---	--	--	--	--

	R	1~20	125/250	50/60	40T125/55	1/2-3.3	6K	100K	-			
	R	1~20	125/250	50/60	40T125/55	1/2-3.5	6K	100K	-			
	RM	1~26(1~6)	125/250	50/60	40T125/55	1/2-3.3	6K	10K	-			
	RM	1~26(1~6)	125/250	50/60	40T125/55	1/2-3.5	6K	10K	-			
	RM	1~26(1~6)	125/250	50/60	40T125/55	1/2-3.3	6K	50K	-			
	RM	1~26(1~6)	125/250	50/60	40T125/55	1/2-3.5	6K	50K	-			
	RM	1~20(1~6)	125/250	50/60	40T125/55	1/2-3.3	6K	10K	-			
	RM	1~20(1~6)	125/250	50/60	40T125/55	1/2-3.5	6K	10K	-			
	RM	1~20(1~6)	125/250	50/60	40T125/55	1/2-3.3	6K	50K	-			
	RM	1~20(1~6)	125/250	50/60	40T125/55	1/2-3.5	6K	50K	-			
	RM	1~20(1~6)	125/250	50/60	40T125/55	1/2-3.3	6K	100K	-			
	RM	1~20(1~6)	125/250	50/60	40T125/55	1/2-3.5	6K	100K	-			
	R	1~20	3~50	DC	40T125/55	1/2-3.3	6K	10K	-			
	R	1~20	3~50	DC	40T125/55	1/2-3.5	6K	10K	-			
	R	1~20	3~50	DC	40T125/55	1/2-3.3	6K	50K	-			
	R	1~20	3~50	DC	40T125/55	1/2-3.5	6K	50K	-			
	R	1~20	3~50	DC	40T125/55	1/2-3.3	6K	100K	-			
	R	1~20	3~50	DC	40T125/55	1/2-3.5	6K	100K	-			
	hp	1/3	125/250	50/60	40T125/55	1/2-3.3	6K	10K	-			
	hp	1/3	125/250	50/60	40T125/55	1/2-3.5	6K	10K	-			

Feedback

	hp	1/3	125/250	50/60	40T125/55	1/2-3.3	6K	50K	-			
--	----	-----	---------	-------	-----------	---------	----	-----	---	--	--	--

	hp	1/3	125/250	50/60	40T125/55	1/2-3.5	6K	50K	-			
	hp	3/4	125/250	50/60	40T125/55	1/2-3.3	6K	10K	-			
	hp	3/4	125/250	50/60	40T125/55	1/2-3.5	6K	10K	-			
	hp	3/4	125/250	50/60	40T125/55	1/2-3.3	6K	50K	-			
	hp	3/4	125/250	50/60	40T125/55	1/2-3.5	6K	50K	-			
	hp	1	125/250	50/60	40T125/55	1/2-3.3	6K	10K	-			
	hp	1	125/250	50/60	40T125/55	1/2-3.5	6K	10K	-			
	hp	1	125/250	50/60	40T125/55	1/2-3.3	6K	50K	-			
	hp	1	125/250	50/60	40T125/55	1/2-3.5	6K	50K	-			
VS14 may be f/b any letter, may be f/b 12, 13 or 14 may be f/b any letters or digits	GP	1~16	125/250	50/60	40T125	1/M-1.2	6K	10K	20	full 3.7	-	-
	GP	1~10	125/250	50/60	40T125	1/M-1.2	6K	50K	-			
	R	1~16	125/250	50/60	40T125	1/M-1.2	6K	10K	-			
	R	1~10	125/250	50/60	40T125	1/M-1.2	6K	50K	-			
	RM	1~16(1~3)	125/250	50/60	40T125	1/M-1.2	6K	10K	-			
	RM	1~10(1~2)	125/250	50/60	40T125	1/M-1.2	6K	50K	-			
	R	1~16	3~42	DC	40T125	1/M-1.2	6K	10K	-			
	R	1~10	3~42	DC	40T125	1/M-1.2	6K	50K	-			

Feedback

VS14 may be f/b any letter, may be f/b 22, 23 or 24 may be f/b any letters or digits	GP	1~16	125/250	50/60	40T125	2/M-1.3	6K	10K	20	full 3.7	-	-
	GP	1~16	125/250	50/60	40T125	2/M-1.5	6K	10K	-			
	GP	1~10	125/250	50/60	40T125	2/M-1.3	6K	50K	-			
	GP	1~10	125/250	50/60	40T125	2/M-1.5	6K	50K	-			
	R	1~16	125/250	50/60	40T125	2/M-1.3	6K	10K	-			
	R	1~16	125/250	50/60	40T125	2/M-1.5	6K	10K	-			
	R	1~10	125/250	50/60	40T125	2/M-1.3	6K	50K	-			
	R	1~10	125/250	50/60	40T125	2/M-1.5	6K	50K	-			
	RM	1~16(1~3)	125/250	50/60	40T125	2/M-1.3	6K	10K	-			
	RM	1~16(1~3)	125/250	50/60	40T125	2/M-1.5	6K	10K	-			
	RM	1~10(1~2)	125/250	50/60	40T125	2/M-1.3	6K	50K	-			
	RM	1~10(1~2)	125/250	50/60	40T125	2/M-1.5	6K	50K	-			
	R	1~16	3~42	DC	40T125	2/M-1.3	6K	10K	-			
	R	1~16	3~42	DC	40T125	2/M-1.5	6K	10K	-			
R	1~10	3-42	DC	40T125	2/M-1.3	6K	50K	-				
R	1~10	3-42	DC	40T125	2/M-1.5	6K	50K	-				

Feedback

Investigated to ANSI/UL 1054

Endur- Temp POL/ Circuit

Cat. No.	Amps	Volts	Hz	Load	ance	(°C)	THR	Code	SPCOA
AS2208	6	125	60	GP	-	55	2/2	-/B	A1
	3	250	60	GP	-				
AS2304	13	125	60	GP	-	55	2/3	-/B	A1
	6.5	250	60	GP	-				
EPS11	10	125	60	GP	6K	55	1/1	-/-	-
	10	250	60	GP	6K				
	-	-	-	GP	-				
	-	-	-	GP	-				
EPS21	10	125	60	GP	6K	55	2/1	PP/D1	-
	10	250	60	GP	6K				
	-	-	-	GP	-				
	-	-	-	GP	-				
FR01 f/b A1, A2 or A3, f/b F0 or F1, f/b L1	6	125	60	GP	6K	65	1/M	-/-	Note 6(16 thru 20 AWG)
	6	250	60	GP	6K				
MFR01	8	125	60	GP	6K	65	1/M	-/-	-
	8	250	60	GP	6K				
MPS11	16	125	60	GP	6K	85	1/1	PP/-	-
	10	250	60	GP	6K				
	5	125	60	TV	25K				
MPS21	16	125	50/60	GP	6K	65	2/1	PP/D1	Note 2
	16	250	50/60	GP	6K				
	-	125	50/60	3/4hp	6K				
	-	250	50/60	3/4hp	6K				
OVS-1 f/b A, B, C or D	12	125	60	GP	6K	150	M/M	PP/-	-
	12	250	60	GP	6K				
PS01-X-X-X	3	250	60	GP	6K	85	1/1	-/A	-
	6	125	60	GP	6K				
	6	125	60	L	6K				

SS11	12	125	60	GP	6K	65	1/1,2/2	-/A	-
-------------	----	-----	----	----	----	----	---------	-----	---

Feedback


	12	250	60	GP	6K				
	16	125	60	GP	6K				
	16	250	60	GP	6K				
	10	125	60	GP	6K				
	10	250	60	GP	6K				
	6	125	60	GP	6K				
	6	250	60	GP	6K				
SS21, f/b suffixes	10	125	60	GP	6K	65	2/1	PP/C	-
	10	250	60	GP	6K				
SS21, f/b suffixes, f/b -S	10	125	60	GP	6K	65	1/1	-/A	-
	10	250	60	GP	6K				
SS24	12	125	60	GP	6K	65	2/2 or 2/1	PP/D1	-
	12	250	60	GP	6K				
	10	125	60	GP	6K				
	10	250	60	GP	6K				
	6	125	60	GP	6K				
	6	250	60	GP	6K				
	16	125	60	GP	6K				
	16	250	60	GP	6K				
SS31 f/b letters; f/b Q, S or C; f/b R, F or L; f/b D; f/b 40, 41; f/b L or blank; f/b letters or numbers or blank.	16	125	50/60	GP	6K	65	2/1	PP/C	2,3
	16	250	50/60	GP	6K				
	-	125	50/60	3/4hp	6K				
	-	250	50/60	3/4hp	6K				
SS31 f/b letters; f/b Q, S or C; f/b R, F or L; f/b D; f/b 60; f/b L or blank; f/b letters or numbers or blank.	16	125	50/60	GP	6K	65	2/2	PP/C	2, 3
	16	250	50/60	GP	6K				
	-	125	50/60	3/4hp	6K				
	-	250	50/60	3/4hp	6K				
SS31 f/b letters; f/b Q, S or C; f/b R, F or L; f/b S; f/b 20 or 21; f/b L or blank; f/b letters or numbers or blank.	16	125	50/60	GP	6K	65	1/1	-/A	2, 3
	16	250	50/60	GP	6K				

Feedback

	-	125	50/60	3/4hp	6K				
	-	250	50/60	3/4hp	6K				
SS31 f/b letters; f/b Q, S or C; f/b R, F or L; f/b T; f/b 40, 41; f/b L or blank; f/b letters or numbers or blank.	16	125	50/60	GP	6K	65	2/1	PP/C	2,3
	16	250	50/60	GP	6K				
	-	125	50/60	3/4hp	6K				
	-	250	50/60	3/4hp	6K				
SS31 f/b letters; f/b Q, S or C; f/b R, F; f/b S; f/b 30; f/b letters or numbers or blank.	16	125	50/60	GP	6K	65	1/2	-/A	3
	16	250	50/60	GP	6K				
	-	125	50/60	3/4hp	6K				
	-	250	50/60	3/4hp	6K				
VS34 f/b, M or H, f/b 11, 12, 21 or 22	12	125	60	GP	-	55	M/M	-/-	-
	12	250	60	GP	-				

Note 2 - These are lighted switches employing a lamp. The usable lamp life has not been evaluated.

Note 6 - The switch employs push-in terminals. These have been evaluated for use with solid and solder dipped stranded conductors of a specified size (shown within parenthesis in AWG).

Marking: Company name or tradename "LEGION", catalog, model or part number, electrical ratings and the Recognized Component Mark,  on the product or on the smallest unit container in which the product is packaged.

Last Updated on 2023-03-09



The appearance of a company's name or product in this database does not in itself assure that products so identified have been manufactured under UL Solutions' Follow - Up Service. Only those products bearing the UL Mark should be considered to be Certified and covered under UL Solutions' Follow - Up Service. Always look for the Mark on the product.

UL Solutions permits the reproduction of the material contained in Product iQ subject to the following conditions: 1. The Guide Information, Assemblies, Constructions, Designs, Systems, and/or Certifications (files) must be presented in their entirety and in a non-misleading manner, without any manipulation of the data (or drawings). 2. The statement "Reprinted from Product iQ with permission from UL Solutions" must appear adjacent to the extracted material. In addition, the reprinted material must include a copyright notice in the following format: "©2023 UL LLC."

X-ON Electronics

Largest Supplier of Electrical and Electronic Components

Click to view similar products for [Rocker Switches](#) category:

Click to view products by [Legion](#) manufacturer:

Other Similar products are found below :

[LTILA6E-1S-WH-RC-FN12VXCR1](#) [6-1571986-9](#) [8007K26N324V52](#) [8055K23Z7V](#) [8055K32Z7V](#) [8055K52Z7V](#) [8138K20E6M50](#)
[PREDD4-07F-BB0FW](#) [PREDD5-07F-BB0GW](#) [999-16716-002](#) [A101J1V3Q004](#) [A103J1ZQ004](#) [A201J1AQ004](#) [A201J50ZQ004](#)
[H8653VBBG2577W](#) [HB130CHNWWNAAC](#) [R13112ABB-602W](#) [1251.0303](#) [1352.0107](#) [1500G51E](#) [1571099-3](#) [1571987-4](#) [1571987-5](#)
[1571988-5](#) [B123J77V7B2](#) [160212E](#) [1634200-7](#) [1801.1164](#) [PANEL-PLUG-VHP-BLACK](#) [PANEL-PLUG-VHP-WT](#) [K2ABAAAAAA](#)
[250011E714](#) [2600R21E](#) [260413E](#) [2639LH/2A7/127000L0](#) [LL3AZXX-100-XGT1](#) [LL3AZXX-100-XHS1](#) [LL3AZXX-100-XSD1](#) [30-695B](#)
[160311E](#) [A103J3ZQ004](#) [A201J61ZQ0004](#) [1852.1102](#) [1890.1104](#) [191.081.011](#) [AE107J1AQ004](#) [1935.3128](#) [1935.3133](#) [1MR7-B](#)
[SY236CD6U622](#)