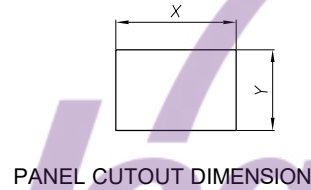
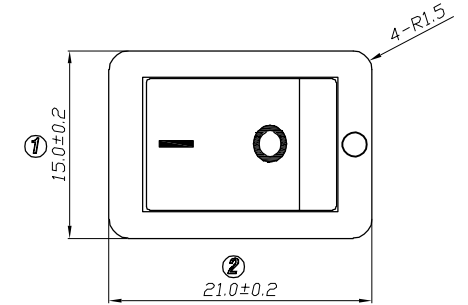
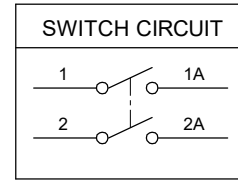
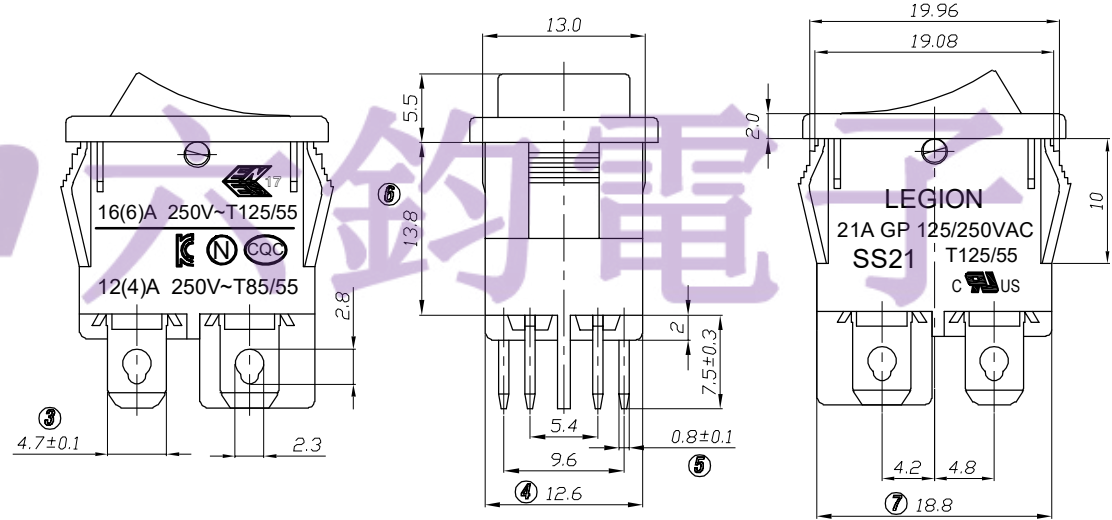


1. 电路 CIRCUIT: ON/OFF
2. 额定值 RATING: 21A GP 125/250VAC T125/55 (C-UL)
16(6)A 250V~T125/55 (ENEC17)
12(4)A 250V~T85/55 (NEMKO;CQC;KC)
3. 接触电阻 CONTACT RESISTANCE: <50mΩ
4. 绝缘阻抗 INSULATION RESISTANCE: >100MΩ
(500VDC BETWEEN OPEN CONTACTS)
5. 耐电压 DIELECTRIC STRENGTH: >1500VAC 0.5mA 1 MINTUTE
6. 所有部件均使用环保材料
ALL MATERIALS USING MEET THE RoHS DIRECTIVE



| PANEL THICKNESS | X | Y |
|-----------------|---------------------------------------|---------------------------------------|
| 0.75~1.25mm | 19.2 ⁺⁰ _{-0.1} mm | 12.9 ^{+0.1} ₋₀ mm |
| 1.25~2.0mm | 19.4 ⁺⁰ _{-0.1} mm | 12.9 ^{+0.1} ₋₀ mm |



注：与样品的上、下色差不能大于0.5Dk1ta E

| 品名 | 颜色 | |
|--------------------|-------------------|-----------------|
| | 上盖 | 基座 |
| SS21-G1BIWG8-B | 绿色GREEN (色卡3272C) | 黑色 |
| SS21-G1WIWG8-B(W3) | 绿色GREEN (色卡3272C) | 米白色CREAMY-WHITE |

| NO | DESCRIPTION | NO | DESCRIPTION | DIMENSIONAL TOLERANCES | | APPROVED | CHECKED | DESIGN | DRAWN | ALL SIZE ARE IN | | DRAWING NO. | REV. |
|----|-------------|----|-------------|------------------------|-----------|--|---------|--------|------------|--------------------|-----------|-------------|------|
| | | | | RANGE | TOLERANCE | | | | | MM | NO | | |
| | | | | X | ±0.30 | | | | LMC | | | | |
| | | | | X.X | ±0.20 | | | | 2019.05.20 | | | | |
| | | | | X.XX | ±0.10 | | | | | | | | |
| | | | | ANGLES | ±1' | LEGION ELECTRONIC & HARDWARE CO., LTD. | | | | SS21-G1WIWG8-B(W3) | WIF123041 | A1 | |

X-ON Electronics

Largest Supplier of Electrical and Electronic Components

Click to view similar products for [Rocker Switches](#) category:

Click to view products by [Legion](#) manufacturer:

Other Similar products are found below :

[LTI LA6E-1S-WH-RC-FN12VXCR1](#) [6-1571986-9](#) [8007K26N324V52](#) [8055K23Z7V](#) [8055K32Z7V](#) [8055K52Z7V](#) [8138K20E6M50](#)
[PREDD4-07F-BB0FW](#) [PREDD5-07F-BB0GW](#) [999-16716-002](#) [A101J1V3Q004](#) [A103J1ZQ004](#) [A201J1AQ004](#) [A201J50ZQ004](#)
[H8653VBBG2577W](#) [HB130CHNWWNAAC](#) [R13112ABB-602W](#) [1251.0303](#) [1352.0107](#) [1500G51E](#) [1571099-3](#) [1571987-4](#) [1571987-5](#)
[1571988-5](#) [B123J77V7B2](#) [160212E](#) [1634200-7](#) [1801.1164](#) [PANEL-PLUG-VHP-BLACK](#) [PANEL-PLUG-VHP-WT](#) [K2ABAAAAAA](#)
[250011E714](#) [2600R21E](#) [260413E](#) [2639LH/2A7/127000L0](#) [LL3AZXX-100-XGT1](#) [LL3AZXX-100-XHS1](#) [LL3AZXX-100-XSD1](#) [30-695B](#)
[160311E](#) [A103J3ZQ004](#) [A201J61ZQ0004](#) [1852.1102](#) [1890.1104](#) [191.081.011](#) [AE107J1AQ004](#) [1935.3128](#) [1935.3133](#) [1MR7-B](#)
[SY236CD6U622](#)