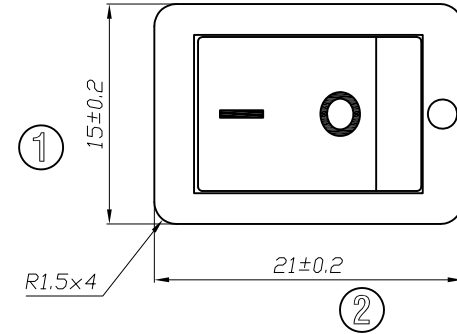
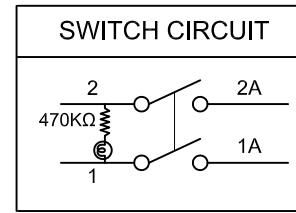


- ROCKER SWITCH MODEL NO.SS21-RBIWG-L05-R
- QUICK CONNECTOR TYPE WITH LAMP-RoHs COMPLIANCE;
DOUBLE POLE SINGLE THROW
- RATING: RATING:10A 125/250VAC(C-UL)
12(4)A 250V~T85/55(ENEC17;NEMKO;CQC)

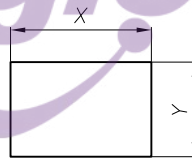
CUL APPROVAL FILE NO.E153399
ENEC17 CERTIFICATE NO.3704
NEMKO CERTIFICATE NO.P15219978
CQC CERTIFICATE NO.CQC10002046596
CB CERTIFICATE NO.87398
KC CERTIFICATE NO.SU02099-17001

- ACTUATOR COLOR:(PC) RED
- HOUSING COLOR: BLACK
- ACTUATOR PRINTING:" $\frac{1}{2}$ "WHITE COLOR
- ALL MATERIALS USING MEET THE RoHS DIRECTIVE

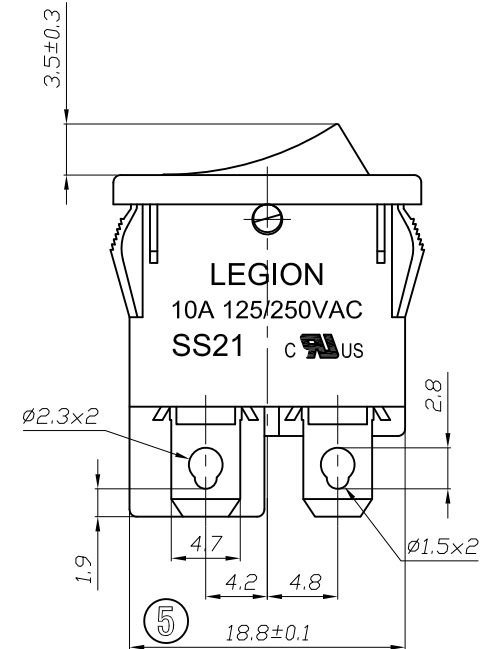
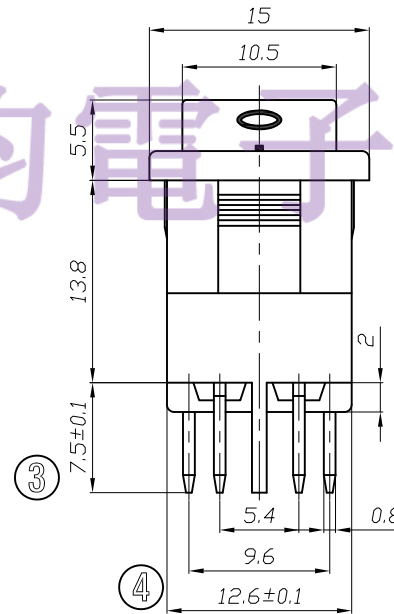
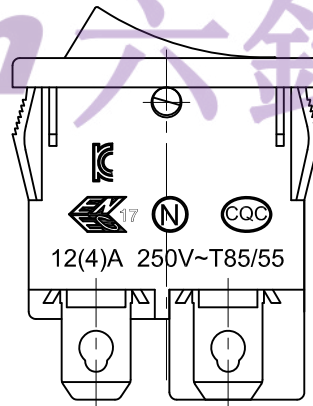
TEL: 0769-82310511-867



PANEL CUTOUT DIMENSION



PANEL THICKNESS	X	Y
0.75~1.25mm	19.2 ⁺⁰ _{-0.1} mm	12.9 ^{+0.1} ₋₀ mm
1.25~2.0mm	19.4 ⁺⁰ _{-0.1} mm	12.9 ^{+0.1} ₋₀ mm
2.0~3.0mm	19.8 ⁺⁰ _{-0.1} mm	12.9 ^{+0.1} ₋₀ mm



修正 REVISION	說明 DESCRIPTION	修訂者 REVISED BY	SPECIFICATION				公差 TOLERANCES		TOLERANCES UNLESS OTHERWISE SPEC.±0.3/0.05,ANG.±2°		
			製圖 DRAWN BY	設計 DESIGNED BY	校對 CHECKED BY	核准 APPROVED BY	單位 UNIT	mm	機種名稱 MODEL NAME	ROCKER SW	機種編號 MODEL NO.
△			管林华	刘美昌	刘美昌	刘美昌	比例 SCALE	1/1	六鈞電子五金有限公司 LEGION ELECTRONIC & HARDWARE CO., LTD.		
△			25-FEB-2017	25-FEB-2017	25-FEB-2017	日期 DATE	2017.2.25				

X-ON Electronics

Largest Supplier of Electrical and Electronic Components

Click to view similar products for [Rocker Switches](#) category:

Click to view products by [Legion](#) manufacturer:

Other Similar products are found below :

[LTILA6E-1S-WH-RC-FN12VXCR1](#) [6-1571986-9](#) [8007K26N324V52](#) [8055K23Z7V](#) [8055K32Z7V](#) [8055K52Z7V](#) [8138K20E6M50](#)
[PREDD4-07F-BB0FW](#) [PREDD5-07F-BB0GW](#) [999-16716-002](#) [A101J1V3Q004](#) [A103J1ZQ004](#) [A201J1AQ004](#) [A201J50ZQ004](#)
[H8653VBBG2577W](#) [HB130CHNWWNAAC](#) [R13112ABB-602W](#) [1251.0303](#) [1352.0107](#) [1500G51E](#) [1571099-3](#) [1571987-4](#) [1571987-5](#)
[1571988-5](#) [B123J77V7B2](#) [160212E](#) [1634200-7](#) [1801.1164](#) [PANEL-PLUG-VHP-BLACK](#) [PANEL-PLUG-VHP-WT](#) [K2ABAAAAAA](#)
[250011E714](#) [2600R21E](#) [260413E](#) [2639LH/2A7/127000L0](#) [LL3AZXX-100-XGT1](#) [LL3AZXX-100-XHS1](#) [LL3AZXX-100-XSD1](#) [30-695B](#)
[160311E](#) [A103J3ZQ004](#) [A201J61ZQ0004](#) [1852.1102](#) [1890.1104](#) [191.081.011](#) [AE107J1AQ004](#) [1935.3128](#) [1935.3133](#) [1MR7-B](#)
[SY236CD6U622](#)