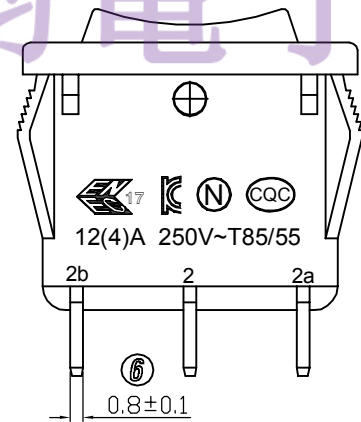
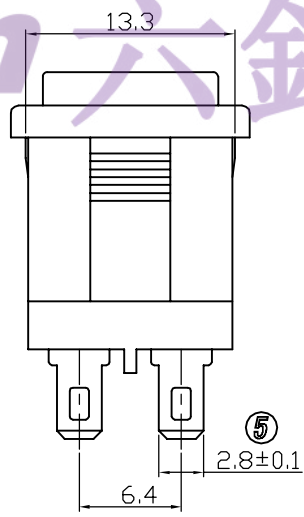
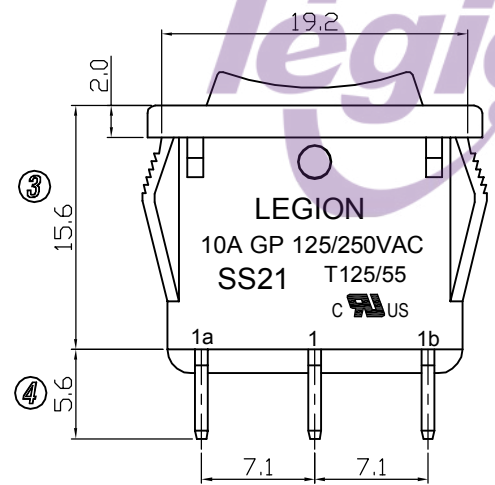
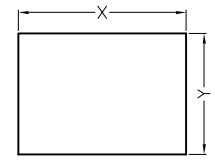


1. 电路 CIRCUIT: ON-OFF-ON
2. 额定值 RATING: 10A 125/250VAC (C-UL)
 12 (4)A 250V~T85/55 (ENEC17; NEMKO; CQC)
 CUL APPROVAL FILE NO. E153399
 ENEC17 CERTIFICATE NO. 3704
 NEMKO CERTIFICATE NO. P15219978
 CQC CERTIFICATE NO. CQC10002046596
 CB CERTIFICATE NO. 87398
 KC CERTIFICATE NO. SU02099-17001
3. 接触电阻 CONTACT RESISTANCE: <math>< 50\text{m}\Omega</math>
4. 绝缘电阻 INSULATION RESISTANCE: >100M Ω (500VDC BETWEEN OPEN CONTACTS)
5. 耐电压 DIELECTRIC STRENGTH: >1500VAC 0.5mA 1 MINUTE

TEL: 0769-82310511-867



MOUNTING HOLE



t	X	Y
0.75~1.25	19.3 ^{+0.1} ₀	13.4 ^{+0.1} ₀
1.25~2.00	19.4 ^{+0.1} ₀	13.4 ^{+0.1} ₀

品名	上盖/基座(颜色)
SS21-WWWBH-S6-R	白色/白色
SS21-BBWWH-S6-R	黑色/黑色
SS21-RBWWH-S6-R	红色/黑色

NO	DESCRIPTION	NO	DESCRIPTION	ANGLES	TOLERANCE	APPROVED	CHECKED	DESIGN	DRAWN	ALL SIZE ARE IN	MM	DRAWING NO.	REV.
5	→	10	→		DIMENSIONAL TOLERANCES					SCALE	NO		
4	→	9	→		RANGE				LMC	MAT'L	***		
3	→	8	→	X	±0.30				2019.05.20	MATERIAL NO.			
2	→	7	→	X.X	±0.20								
1	→	6	→	X.XX	±0.10								
					±1'	LEGION ELECTRONIC & HARDWARE CO., LTD.							

X-ON Electronics

Largest Supplier of Electrical and Electronic Components

Click to view similar products for [Rocker Switches](#) category:

Click to view products by [Legion](#) manufacturer:

Other Similar products are found below :

[LTILA6E-1S-WH-RC-FN12VXCR1](#) [6-1571986-9](#) [8007K26N324V52](#) [8055K23Z7V](#) [8055K32Z7V](#) [8055K52Z7V](#) [8138K20E6M50](#)
[PREDD4-07F-BB0FW](#) [PREDD5-07F-BB0GW](#) [999-16716-002](#) [A101J1V3Q004](#) [A103J1ZQ004](#) [A201J1AQ004](#) [A201J50ZQ004](#)
[H8653VBBG2577W](#) [HB130CHNWWNAAC](#) [R13112ABB-602W](#) [1251.0303](#) [1352.0107](#) [1500G51E](#) [1571099-3](#) [1571987-4](#) [1571987-5](#)
[1571988-5](#) [B123J77V7B2](#) [160212E](#) [1634200-7](#) [1801.1164](#) [PANEL-PLUG-VHP-BLACK](#) [PANEL-PLUG-VHP-WT](#) [K2ABAAAAAA](#)
[250011E714](#) [2600R21E](#) [260413E](#) [2639LH/2A7/127000L0](#) [LL3AZXX-100-XGT1](#) [LL3AZXX-100-XHS1](#) [LL3AZXX-100-XSD1](#) [30-695B](#)
[160311E](#) [A103J3ZQ004](#) [A201J61ZQ0004](#) [1852.1102](#) [1890.1104](#) [191.081.011](#) [AE107J1AQ004](#) [1935.3128](#) [1935.3133](#) [1MR7-B](#)
[SY236CD6U622](#)