

Features

- Ultra low capacitance: 0.3pF typical (I/O to I/O)
- Ultra low leakage: nA level
- Low operating voltage: 5V
- Low clamping voltage
- Up to 4 lines protects
- Leadless flow-through package
- Complies with following standards:
 - IEC 61000-4-2 (ESD) immunity test
 - Air discharge: $\pm 30\text{kV}$
 - Contact discharge: $\pm 25\text{kV}$
 - IEC61000-4-5 (Lightning) 5A (8/20 μs)
- RoHS Compliant

Applications

- HDMI 1.3 & 1.4& 2.0, USB 2.0 & 3.0 and MDDI ports
- 10/100/1000 Ethernet
- Monitors and flat panel displays
- Set-top box and Digital TV
- Video graphics cards
- Digital Video Interface (DVI)
- Notebook Computers
- PCI Express and Serial SATA Ports

Mechanical Characteristics

- Package: DFN2510-10 (2.5x1.0x0.5mm)
- Lead Finish: Matte Tin
- Case Material: "Green" Molding Compound.
- UL Flammability Classification Rating 94V-0
- Moisture Sensitivity: Level 1 per J-STD-020
- Terminal Connections: See Diagram Below
- Marking Information: See Below

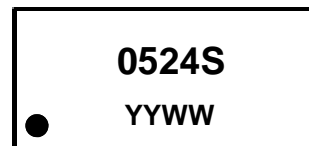
Dimensions DFN2510P10



Pin Configuration



Marking Information



0524S = Device Marking
Code YYWW = Code
Dot denotes Pin1

Ordering Information

| Part Number | Packaging | Reel Size |
|---------------------|------------------|-----------|
| LM-PESDALC10N5VU-ES | 3000/Tape & Reel | 7 inch |

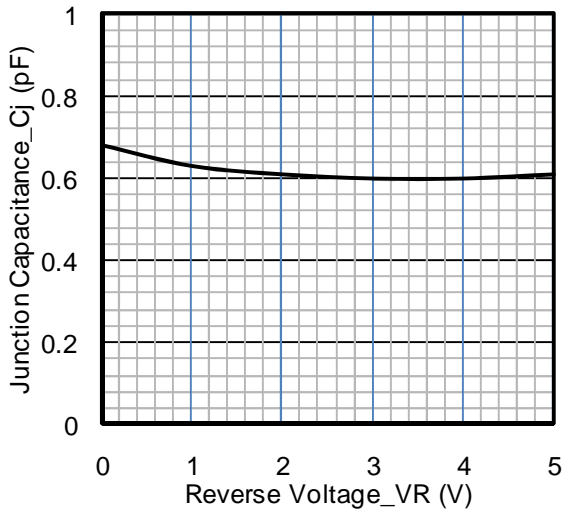
Absolute Maximum Ratings ($T_A=25^{\circ}\text{C}$ unless otherwise specified)

| Parameter | Symbol | Value | Unit |
|--|------------------|-------------|--------------------|
| Peak Pulse Power (8/20 μs) | Ppk | 75 | W |
| Peak Pulse Current (8/20 μs) | I _{PP} | 5 | A |
| ESD per IEC 61000-4-2 (Air) | V _{ESD} | ± 30 | kV |
| ESD per IEC 61000-4-2 (Contact) | | ± 25 | |
| Operating Temperature Range | T _J | -55 to +125 | $^{\circ}\text{C}$ |
| Storage Temperature Range | T _{stg} | -55 to +150 | $^{\circ}\text{C}$ |

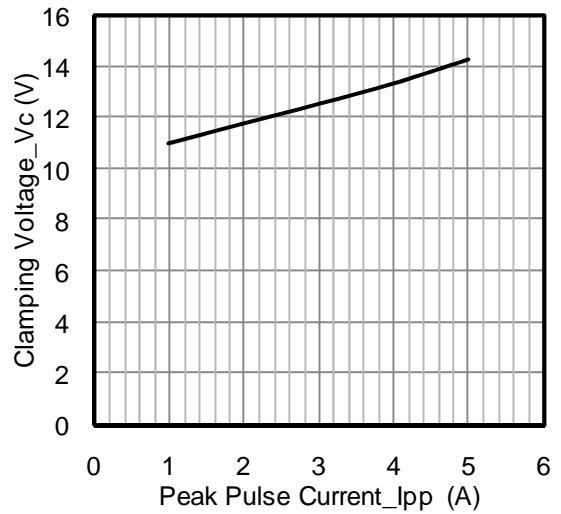
Electrical Characteristics ($T_A=25^{\circ}\text{C}$ unless otherwise specified)

| Parameter | Symbol | Min | Typ | Max | Unit | Test Condition |
|-------------------------|------------------|-----|-----|-----|---------------|--|
| Reverse Working Voltage | V _{RWM} | | | 5 | V | Any I/O pin to ground |
| Breakdown Voltage | V _{BR} | 6 | | | V | I _T = 1mA, any I/O pin to ground |
| Reverse Leakage Current | I _R | | | 0.1 | μA | V _{RWM} = 5V, any I/O pin to ground |
| Clamping Voltage | V _C | | | 9.8 | V | I _{PP} = 1A (8 x 20 μs pulse), any I/O pin to ground |
| Clamping Voltage | V _C | | | 15 | V | I _{PP} = 5A (8 x 20 μs pulse), any I/O pin to ground |
| Junction Capacitance | C _J | | 0.3 | 0.4 | pF | V _R = 0V, f = 1MHz, between I/O pins |
| Junction Capacitance | C _J | | | 0.8 | pF | V _R = 0V, f = 1MHz, any I/O pin to ground |

Typical Performance Characteristics (T_A=25°C unless otherwise Specified)



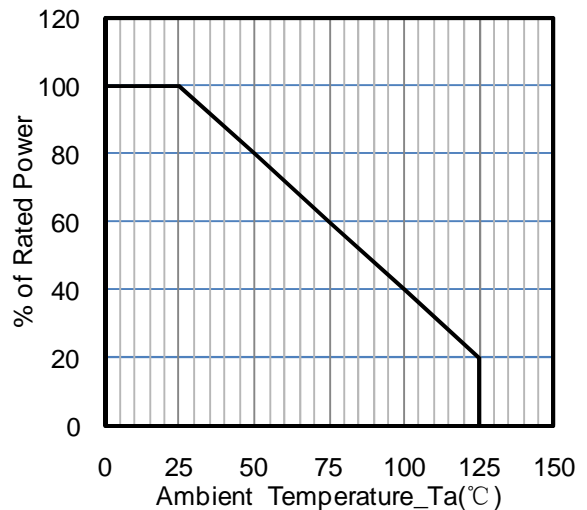
Junction Capacitance vs. Reverse Voltage



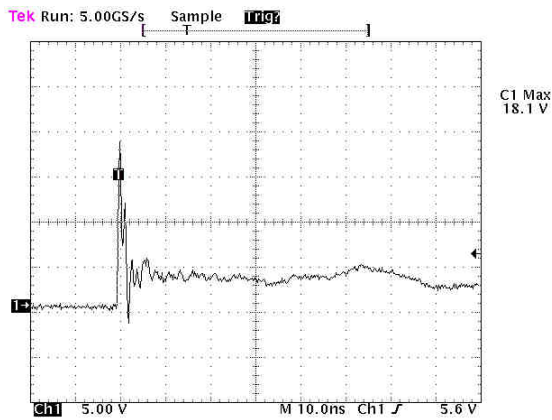
Clamping Voltage vs. Peak Pulse Current



8 X 20uS Pulse Waveform



Power Derating Curve



ESD Clamping Voltage

8 kV Contact per IEC61000-4-2

Typical Application

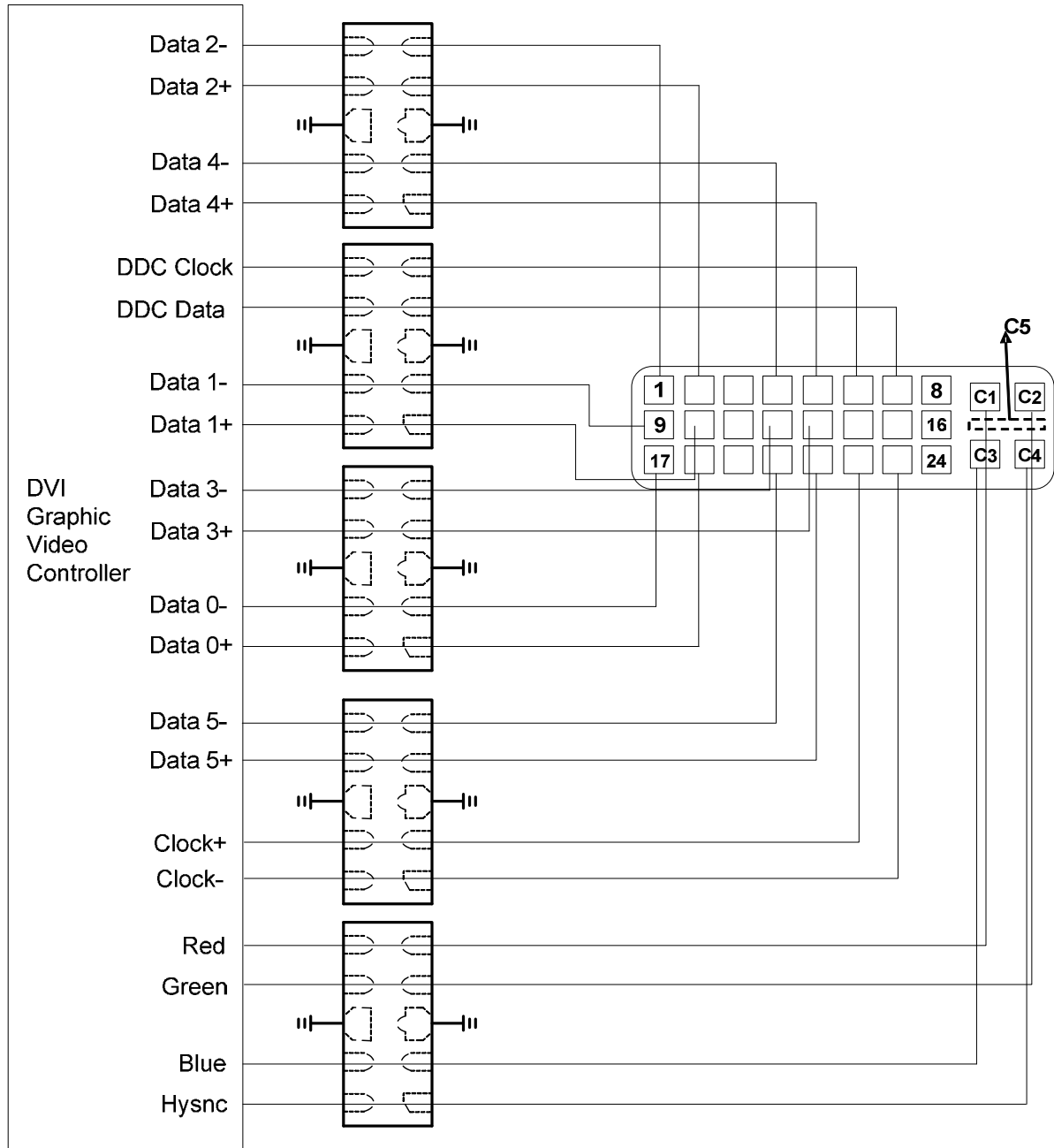
The LM-PESDALC10N5VU-ES is designed for easy PCB layout by allowing the traces to run straight through the device. The PCB traces could be used to connect the pin pairs for each line. For example, line 1 enters at pin 1 and exits at pin 10 and the PCB trace connects Pin 1 and Pin 10 together. Ground is connected at Pin 3 and Pin 8.



LM-PESDALC10N5VU-ES on USB 3.0 Port Application



LM-PESDALC10N5VU-ES on DVI Port Application



LM-PESDALC10N5VU-ES on HDMI Port Application



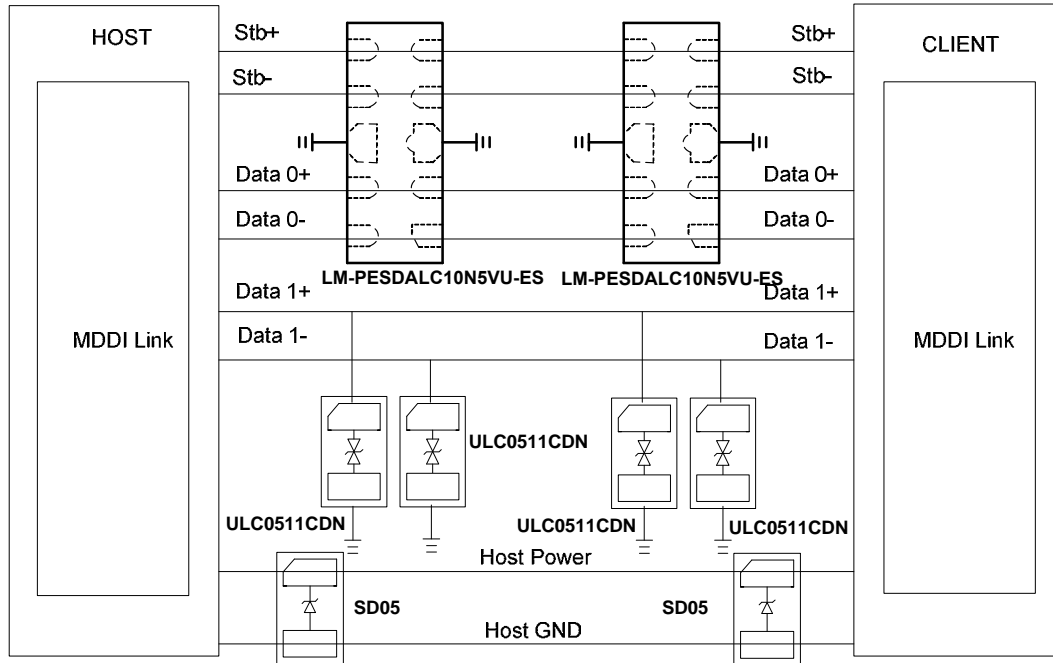
LM-PESDALC10N5VU-ES on VGA Port Application



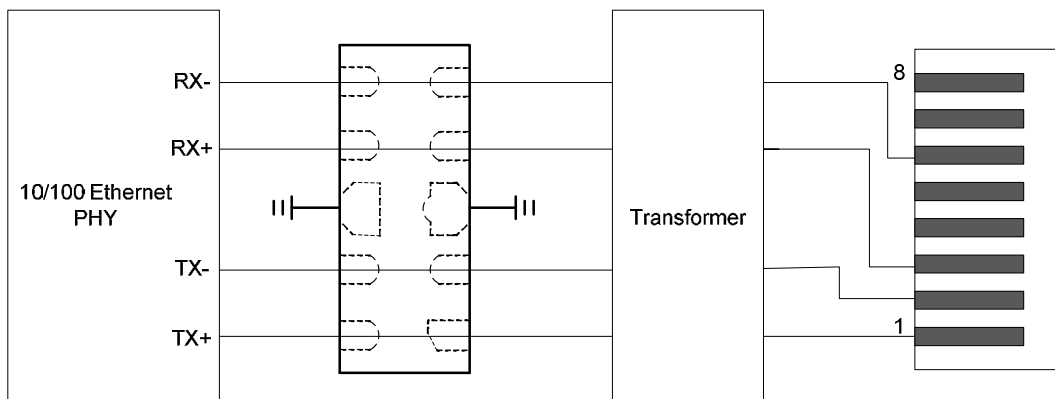
LM-PESDALC10N5VU-ES on eSATA Port Application



LM-PESDALC10N5VU-ES on MDDI Port Application



LM-PESDALC10N5VU-ES on 10/100 Base Ethernet Port Application



DFN2510-10 Package Outline Drawing



TOP VIEW



SIDE VIEW



BOTTOM VIEW

| SYM | DIMENSIONS | | | | | |
|-----|-------------|------|------|----------|-------|-------|
| | MILLIMETERS | | | INCHES | | |
| | MIN | NOM | MAX | MIN | NOM | MAX |
| A | 0.45 | 0.50 | 0.55 | 0.018 | 0.020 | 0.022 |
| A1 | 0.00 | 0.02 | 0.05 | 0.000 | 0.001 | 0.002 |
| b | 0.15 | 0.20 | 0.25 | 0.006 | 0.008 | 0.010 |
| b1 | 0.35 | 0.40 | 0.45 | 0.014 | 0.016 | 0.018 |
| b2 | 0.20 | 0.25 | 0.30 | 0.008 | 0.010 | 0.012 |
| c | 0.10 | 0.15 | 0.20 | 0.004 | 0.006 | 0.008 |
| D | 2.45 | 2.50 | 2.55 | 0.098 | 0.100 | 0.102 |
| e | 0.50BSC | | | 0.020BSC | | |
| Nd | 2.00BSC | | | 0.080BSC | | |
| E | 0.95 | 1.00 | 1.05 | 0.038 | 0.040 | 0.042 |
| L | 0.35 | 0.40 | 0.45 | 0.014 | 0.016 | 0.018 |
| L1 | 0.075REF | | | 0.003REF | | |
| L2 | 0.050REF | | | 0.002REF | | |
| h | 0.08 | 0.12 | 0.15 | 0.003 | 0.005 | 0.006 |
| R | 0.05 | 0.10 | 0.15 | 0.002 | 0.004 | 0.006 |

Suggested Land Pattern



| SYM | DIMENSIONS | |
|-----|-------------|--------|
| | MILLIMETERS | INCHES |
| X1 | 0.200 | 0.008 |
| X2 | 0.400 | 0.016 |
| X3 | 0.500 | 0.020 |
| Y | 0.600 | 0.024 |
| Z | 1.400 | 0.056 |

X-ON Electronics

Largest Supplier of Electrical and Electronic Components

Click to view similar products for [ESD Suppressors / TVS Diodes](#) category:

Click to view products by [Leiditech](#) manufacturer:

Other Similar products are found below :

[60KS200C](#) [D18V0L1B2LP-7B](#) [D5V0F4U5P5-7](#) [NTE4902](#) [P4KE27CA](#) [P6KE11CA](#) [P6KE8.2A](#) [SA60CA](#) [SA64CA](#) [SMBJ12CATR](#)
[SMBJ33CATR](#) [SMBJ6.5A](#) [SMBJ8.0A](#) [ESD101-B1-02ELS](#) [E6327](#) [ESD112-B1-02EL](#) [E6327](#) [ESD7451N2T5G](#) [19180-510](#) [CPDT-5V0USP-](#)
[HF](#) [3.0SMCJ33CA-F](#) [3.0SMCJ36A-F](#) [HSPC16701B02TP](#) [JANTX1N6126A](#) [D3V3Q1B2DLP3-7](#) [D55V0M1B2WS-7](#) [SCM1293A-04SO](#)
[ESD200-B1-CSP0201](#) [E6327](#) [SM12-7](#) [CEN955](#) [W/DATA](#) [VESD12A1A-HD1-GS08](#) [CPDQC5V0-HF](#) [D1213A-01LP4-7B](#) [ESD101-B1-02EL](#)
[E6327](#) [AOZ8808DI-03](#) [5KP15A](#) [5KP48A](#) [5KP90A](#) [ESD3V3D7-TP](#) [15KPA36A-LF](#) [P4KE56CA](#) [P4KE68A](#) [P4KE91CATR](#) [P6KE120A](#)
[P6KE13CA](#) [P6KE43CA](#) [P6KE6.8CA](#) [P6KE8.2](#) [P6SMBJ20CA](#) [JANTX1N6072A](#) [SR2835ESKG](#) [SA90CA](#)