

Features

- Ultra low leakage: nA level
- Operating voltage: 5V
- Low Clamping Voltage
- Complies with following standards:
 - IEC 61000-4-2 (ESD) immunity test
 - Air discharge: $\pm 15\text{kV}$
 - Contact discharge: 8kV
 - IEC61000-4-4 (EFT) 40A (5/50ns)
 - IEC61000-4-5 (Lightning) 5A (8/20 μs)
- RoHS Compliant

Applications

- FireWire
- Display ports
- MDDI ports
- Digital Visual Interface (DVI)
- Cellular handsets & accessories
- Computer and peripherals

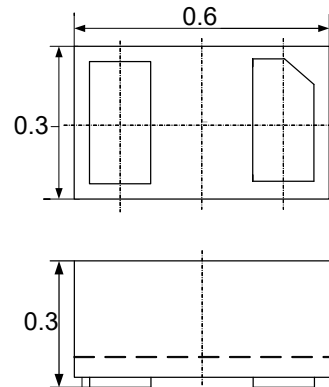
Mechanical Characteristics

- Package: DFN0603
- Lead Finish: Lead Free
- UL Flammability Classification Rating 94V-0
- Quantity Per Reel: 15,000pcs
- Reel Size: 7 inch
- Device Marking: A5

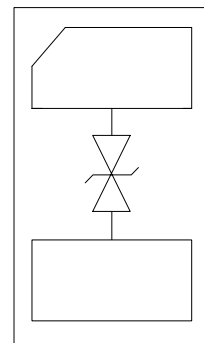
Absolute Maximum Ratings (T_{amb}=25°C unless otherwise specified)

| Parameter | Symbol | Value | Unit |
|--|------------------|-------------|------|
| Peak Pulse Power (8/20 μs) | P _{pp} | 80 | W |
| ESD per IEC 61000-4-2 (Air) | V _{ESD} | ± 15 | Kv |
| ESD per IEC 61000-4-2 (Contact) | | ± 8 | |
| Operating Temperature Range | T _J | -55 to +125 | °C |
| Storage Temperature Range | T _{STJ} | -55 to +150 | °C |

Dimensions DFN0603



Pin Configuration

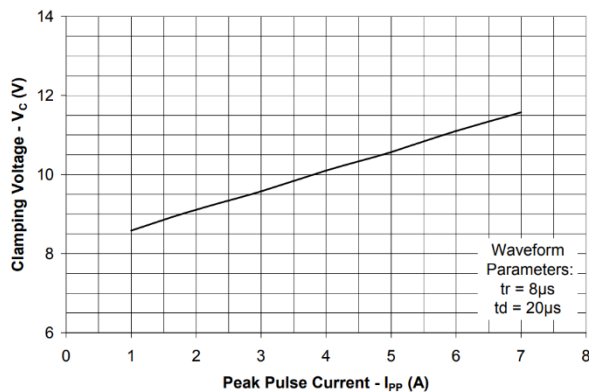


Electrical Characteristics (TA=25°C unless otherwise specified)

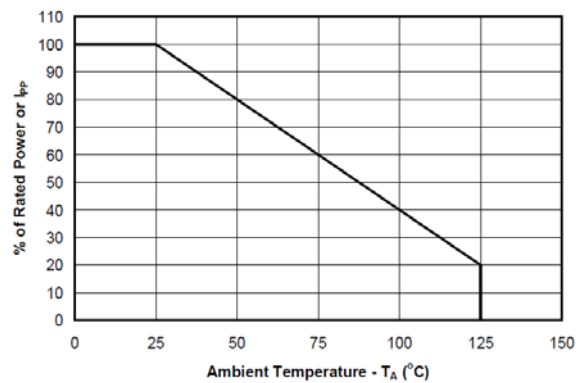
| Parameter | Symbol | Test Condition | Min | Typ | Max | Unit |
|-------------------------|-----------|--------------------------------------|-----|-----|-----|---------|
| Reverse Working Voltage | V_{RWM} | | | | 5 | V |
| Breakdown Voltage | V_{BR} | $I_T = 1mA$ | 5.6 | | | V |
| Reverse Leakage Current | I_R | $V_{RWM} = 5V$ | | | 1 | μA |
| Clamping Voltage | V_C | $I_{PP} = 1A$ (8 x 20 μs pulse) | | | 9.8 | V |
| Clamping Voltage | V_C | $I_{PP} = 5A$ (8 x 20 μs pulse) | | | 15 | V |
| Junction Capacitance | C_J | $V_R = 0V, f = 1MHz$ | | 15 | | pF |

Characteristic Curves

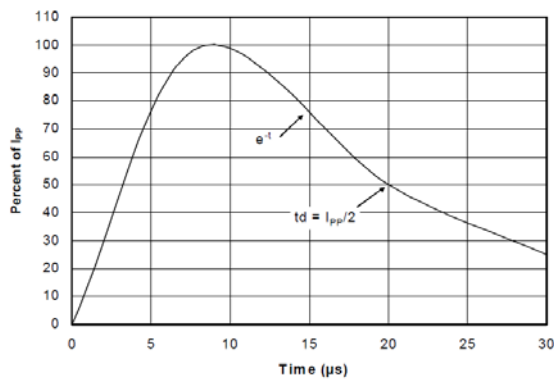
Clamping Voltage vs. Peak Pulse Current



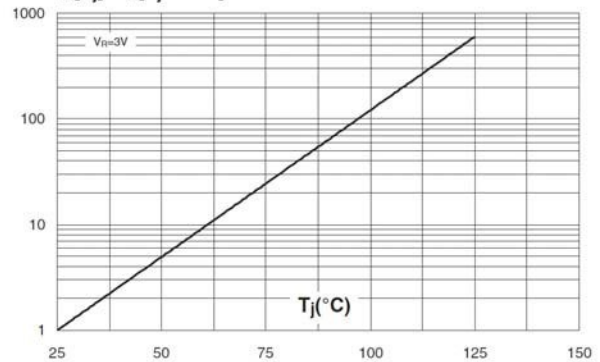
Power Derating Curve



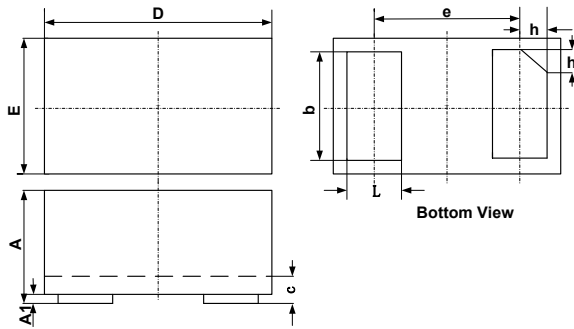
Pulse Waveform



$I_R(T_j) / I_R(T_j=25^\circ C)$

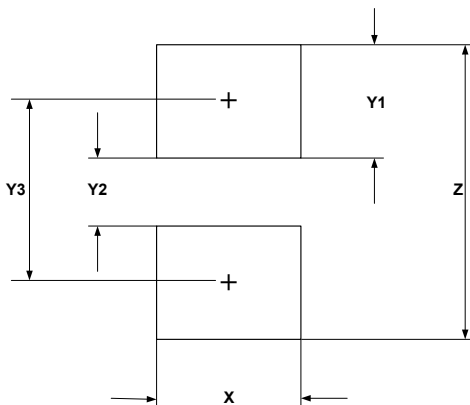


DFN0603 Package Outline Drawing



| SYM | DIMENSIONS | | |
|-----|-------------|-------|-------|
| | MILLIMETERS | | |
| | MIN | NOM | MAX |
| A | 0.230 | | 0.330 |
| A1 | 0.000 | 0.020 | 0.050 |
| b | 0.215 | 0.245 | 0.275 |
| c | 0.120 | 0.150 | 0.180 |
| D | 0.550 | 0.600 | 0.650 |
| e | 0.355 BSC | | |
| E | 0.250 | 0.300 | 0.350 |
| L | 0.160 | 0.190 | 0.220 |
| h | 0.079 BSC | | |

Suggested Land Pattern



| SYM | DIMENSIONS | |
|-----|-------------|--------|
| | MILLIMETERS | INCHES |
| X | 0.30 | 0.012 |
| Y1 | 0.25 | 0.010 |
| Y2 | 0.15 | 0.006 |
| Y3 | 0.40 | 0.016 |
| Z | 0.65 | 0.026 |

X-ON Electronics

Largest Supplier of Electrical and Electronic Components

Click to view similar products for [ESD Suppressors / TVS Diodes](#) category:

Click to view products by [Leiditech](#) manufacturer:

Other Similar products are found below :

[60KS200C](#) [D18V0L1B2LP-7B](#) [D5V0F4U5P5-7](#) [DESD5V0U1BB-7](#) [NTE4902](#) [P4KE27CA](#) [P6KE11CA](#) [P6KE39CA-TP](#) [P6KE8.2A](#)
[SA110CA](#) [SA60CA](#) [SA64CA](#) [SMBJ12CATR](#) [SMBJ33CATR](#) [SMBJ8.0A](#) [ESD101-B1-02ELS E6327](#) [ESD105-B1-02EL E6327](#) [ESD112-B1-02EL E6327](#) [ESD119B1W01005E6327XTSA1](#) [ESD5V0L1B02VH6327XTSA1](#) [ESD7451N2T5G](#) [19180-510](#) [CPDT-5V0USP-HF](#)
[3.0SMCJ33CA-F](#) [3.0SMCJ36A-F](#) [HSPC16701B02TP](#) [D3V3Q1B2DLP3-7](#) [D55V0M1B2WS-7](#) [DESD5V0U1BL-7B](#) [DRTR5V0U4SL-7](#)
[SCM1293A-04SO](#) [ESD200-B1-CSP0201 E6327](#) [SM12-7](#) [SMLJ45CA-TP](#) [CEN955 W/DATA](#) [82350120560](#) [VESD12A1A-HD1-GS08](#)
[CPDUR5V0R-HF](#) [CPDQC5V0U-HF](#) [CPDQC5V0USP-HF](#) [CPDQC5V0-HF](#) [D1213A-01LP4-7B](#) [D1213A-02WL-7](#) [MMAD1108/TR13](#)
[5KP100A](#) [5KP15A](#) [5KP18A](#) [5KP48A](#) [5KP90A](#) [5KP90CA](#)