

### Features

- Ultra low leakage: nA level
- Operating voltage: 5V
- Low Clamping Voltage
- Complies with following standards:
  - IEC 61000-4-2 (ESD) immunity test
    - Air discharge:  $\pm 15\text{kV}$
    - Contact discharge: 8kV
  - IEC61000-4-4 (EFT) 40A (5/50ns)
  - IEC61000-4-5 (Lightning) 3A (8/20 $\mu\text{s}$ )
- RoHS Compliant

### Applications

- 10/100/1000 Mbit/s Ethernet
- USB2.0/USB3.0
- HDMI
- Display ports
- MDDI ports
- Digital Visual Interface (DVI)
- Cellular handsets & accessories
- Computer and peripherals

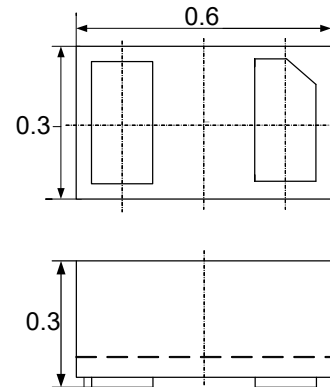
### Mechanical Characteristics

- Package: DFN0603
- Lead Finish: Lead Free
- UL Flammability Classification Rating 94V-0
- Quantity Per Reel: 10,000pcs
- Reel Size: 7 inch
- Device Marking: RV

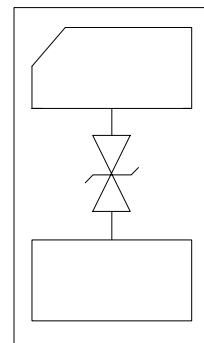
### Absolute Maximum Ratings (T<sub>amb</sub>=25°C unless otherwise specified)

| Parameter                              | Symbol           | Value       | Unit |
|--|------------------|-------------|------|
| Peak Pulse Power (8/20 $\mu\text{s}$ ) | P <sub>pp</sub>  | 50          | W    |
| ESD per IEC 61000-4-2 (Air)            | V <sub>ESD</sub> | $\pm 15$    | Kv   |
| ESD per IEC 61000-4-2 (Contact)        |                  | $\pm 8$     |      |
| Operating Temperature Range            | T <sub>J</sub>   | -55 to +125 | °C   |
| Storage Temperature Range              | T <sub>STJ</sub> | -55 to +150 | °C   |

### Dimensions DFN0603



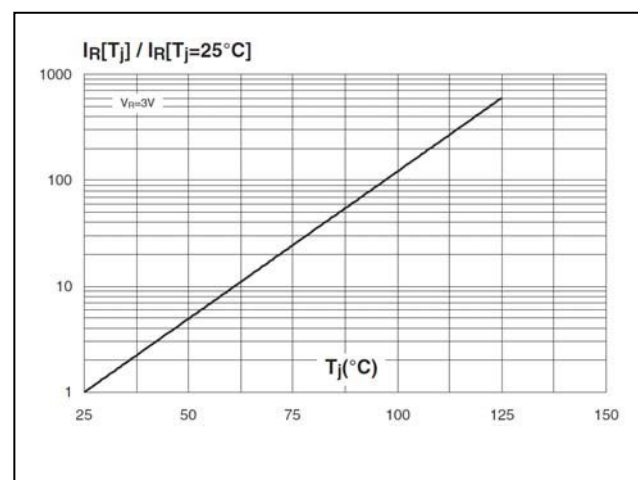
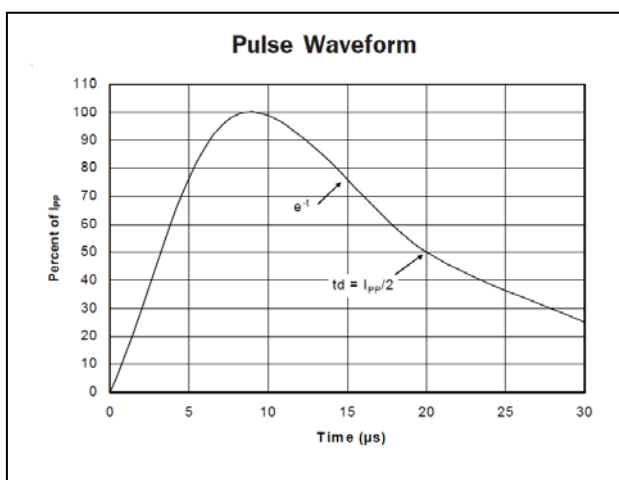
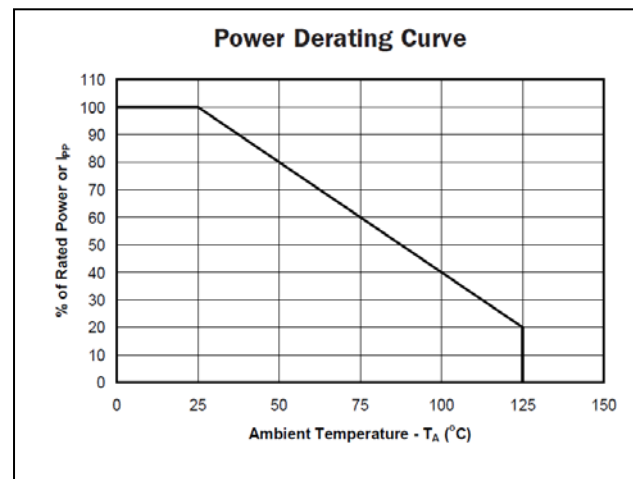
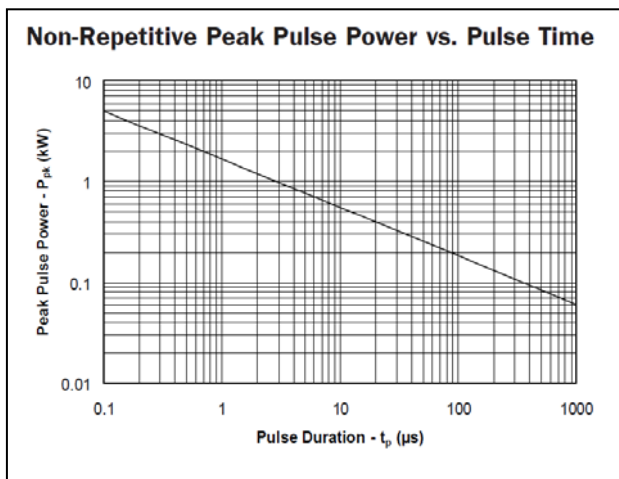
### Pin Configuration



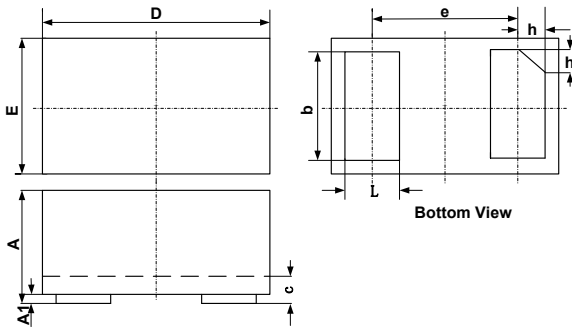
## Electrical Characteristics (TA=25°C unless otherwise specified)

| Parameter               | Symbol    | Test Condition                       | Min | Typ | Max  | Unit    |
|-------------------------|-----------|--------------------------------------|-----|-----|------|---------|
| Reverse Working Voltage | $V_{RWM}$ |                                      |     |     | 5    | V       |
| Breakdown Voltage       | $V_{BR}$  | $I_T = 1mA$                          | 5.8 |     |      | V       |
| Reverse Leakage Current | $I_R$     | $V_{RWM} = 5V$                       |     |     | 1    | $\mu A$ |
| Clamping Voltage        | $V_C$     | $I_{PP} = 1A$ (8 x 20 $\mu s$ pulse) |     |     | 9.8  | V       |
| Clamping Voltage        | $V_C$     | $I_{PP} = 3A$ (8 x 20 $\mu s$ pulse) |     |     | 15.8 | V       |
| Junction Capacitance    | $C_J$     | $V_R = 0V, f = 1MHz$                 |     |     | 0.5  | pF      |

## Characteristic Curves

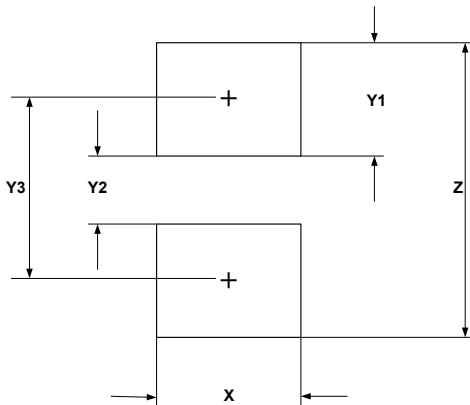


DFN0603 Package Outline Drawing



| SYM | DIMENSIONS  |       |       |
|-----|-------------|-------|-------|
|     | MILLIMETERS |       |       |
|     | MIN         | NOM   | MAX   |
| A   | 0.230       |       | 0.330 |
| A1  | 0.000       | 0.020 | 0.050 |
| b   | 0.215       | 0.245 | 0.275 |
| c   | 0.120       | 0.150 | 0.180 |
| D   | 0.550       | 0.600 | 0.650 |
| e   | 0.355 BSC   |       |       |
| E   | 0.250       | 0.300 | 0.350 |
| L   | 0.160       | 0.190 | 0.220 |
| h   | 0.079 BSC   |       |       |

Suggested Land Pattern



| SYM | DIMENSIONS  |        |
|-----|-------------|--------|
|     | MILLIMETERS | INCHES |
| X   | 0.30        | 0.012  |
| Y1  | 0.25        | 0.010  |
| Y2  | 0.15        | 0.006  |
| Y3  | 0.40        | 0.016  |
| Z   | 0.65        | 0.026  |

## X-ON Electronics

Largest Supplier of Electrical and Electronic Components

*Click to view similar products for [ESD Suppressors / TVS Diodes](#) category:*

*Click to view products by [Leiditech](#) manufacturer:*

Other Similar products are found below :

[60KS200C](#) [D18V0L1B2LP-7B](#) [D5V0F4U5P5-7](#) [NTE4902](#) [P4KE27CA](#) [P6KE11CA](#) [P6KE8.2A](#) [SA60CA](#) [SA64CA](#) [SMBJ12CATR](#)  
[SMBJ33CATR](#) [SMBJ6.5A](#) [SMBJ8.0A](#) [ESD101-B1-02ELS E6327](#) [ESD112-B1-02EL E6327](#) [ESD7451N2T5G](#) [19180-510](#) [CPDT-5V0USP-](#)  
[HF](#) [3.0SMCJ33CA-F](#) [3.0SMCJ36A-F](#) [HSPC16701B02TP](#) [JANTX1N6126A](#) [D3V3Q1B2DLP3-7](#) [D55V0M1B2WS-7](#) [SCM1293A-04SO](#)  
[ESD200-B1-CSP0201 E6327](#) [SM12-7](#) [CEN955 W/DATA](#) [VESD12A1A-HD1-GS08](#) [CPDQC5V0-HF](#) [D1213A-01LP4-7B](#) [ESD101-B1-02EL](#)  
[E6327](#) [AOZ8808DI-03](#) [5KP15A](#) [5KP48A](#) [5KP90A](#) [ESD3V3D7-TP](#) [15KPA36A-LF](#) [P4KE56CA](#) [P4KE68A](#) [P4KE91CATR](#) [P6KE120A](#)  
[P6KE13CA](#) [P6KE43CA](#) [P6KE6.8CA](#) [P6KE8.2](#) [P6SMBJ20CA](#) [JANTX1N6072A](#) [SR2835ESKG](#) [SA90CA](#)