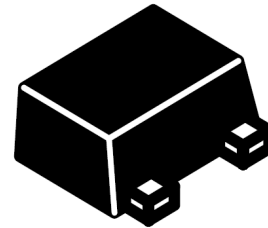


## Features

- 100 Watts Peak Pulse Power per Line ( $t_p=8/20\mu s$ )
- Protects Two Lines
- Low Clamping Voltage
- Working Voltages : 5V
- Low Leakage Current
- IEC61000-4-2 (ESD)  $\pm 17kV$  (air),  $\pm 10kV$  (contact)
- IEC61000-4-4 (EFT) 40A (5/50ns)
- IEC61000-4-5 (LIGHTING) 4A (8/20 $\mu s$ )

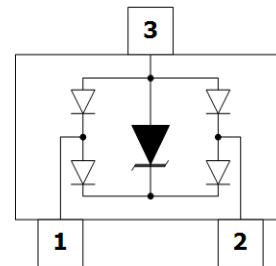
## Dimensions SOT-723



## Applications

- Cellular Handsets & Accessories
- Antennas
- High Spded I/O Lines
- Keypads, Side Keys, LCD Displays
- Battery, Power Lines
- Notebooks & Desktop Computers
- Portable Instrumentation

## Pin Configuration



## Mechanical Characteristics

- SOT-723 Package
- Molding Compound Flammability Rating : UL 94V-0
- Weight 1.3 Milligrams (Approximate)
- Quantity Per Reel : 8,000pcs
- Reel Size : 7 inch
- Lead Finish : Lead Free

## Absolute Maximum Ratings (T<sub>amb</sub>=25°C unless otherwise specified)

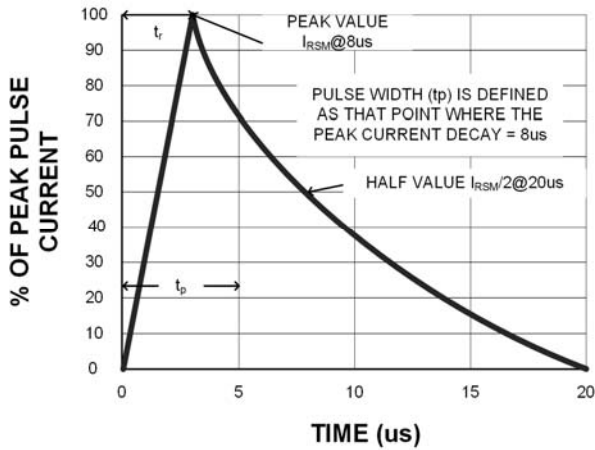
Parameter	Symbol	Value	Unit
Peak Pulse Current (8/20 $\mu s$ )	P <sub>pp</sub>	100	W
ESD per IEC 61000-4-2 (Air)	V <sub>ESD</sub>	$\pm 15$	Kv
ESD per IEC 61000-4-2 (Contact)		$\pm 8$	
Operating Temperature Range	T <sub>J</sub>	-55 to +125	°C
Storage Temperature Range	T <sub>STJ</sub>	-55 to +150	°C

## Electrical Characteristics (TA=25°C unless otherwise specified)

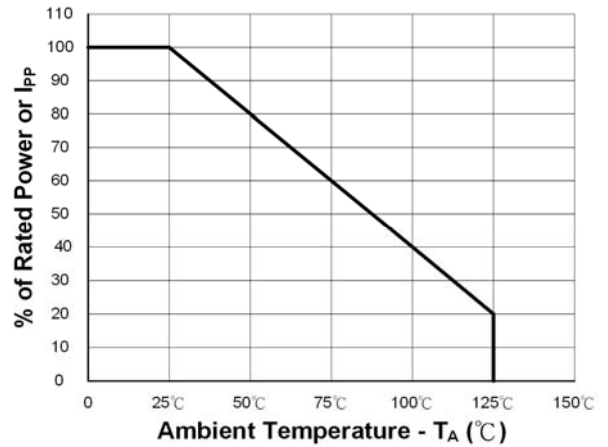
Part Number	Device Marking	V <sub>RWM</sub> (V)	V <sub>BR</sub> (V)	I <sub>T</sub> (mA)	V <sub>C</sub> @1A	V <sub>C</sub>		I <sub>R</sub> μA (Max)	C (Pf) (Typ.)
						(Max)	(@A)		
ULC0502M3Q	M5	5	6	1	12	25	4	1	0.3

## TYPIC CHARACTERISTICS

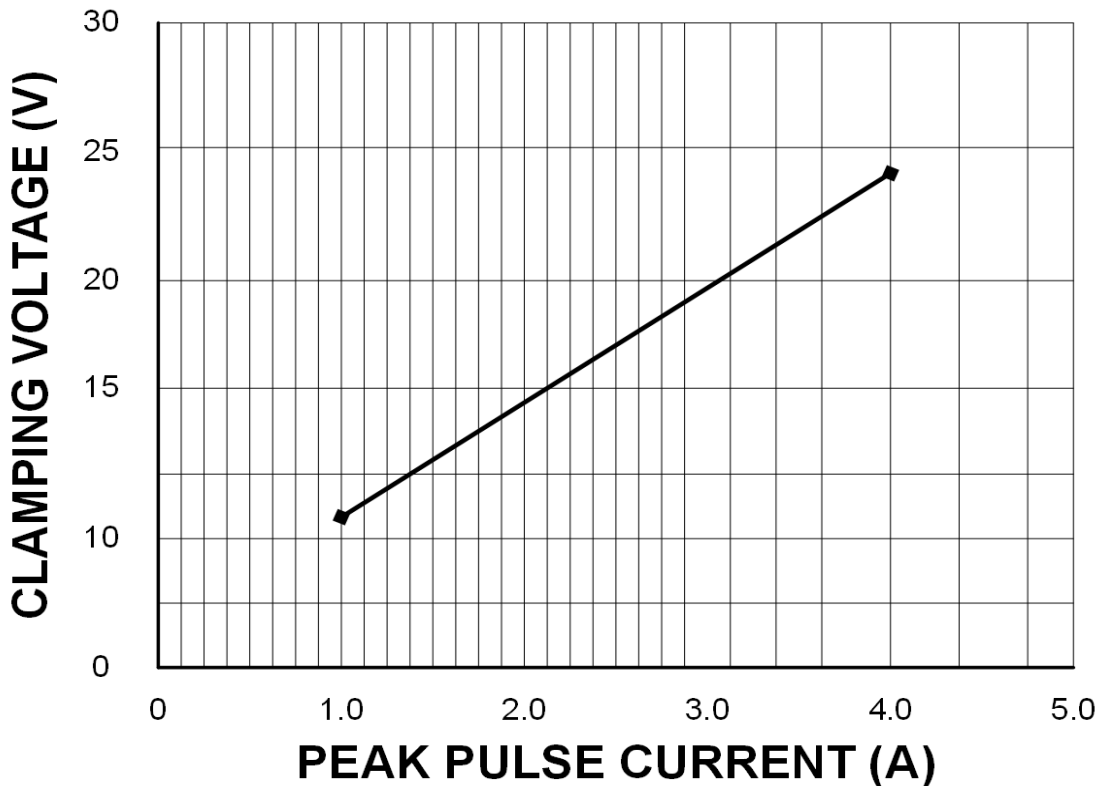
8 x 20  $\mu$ s Waveform



Power Derating Curve

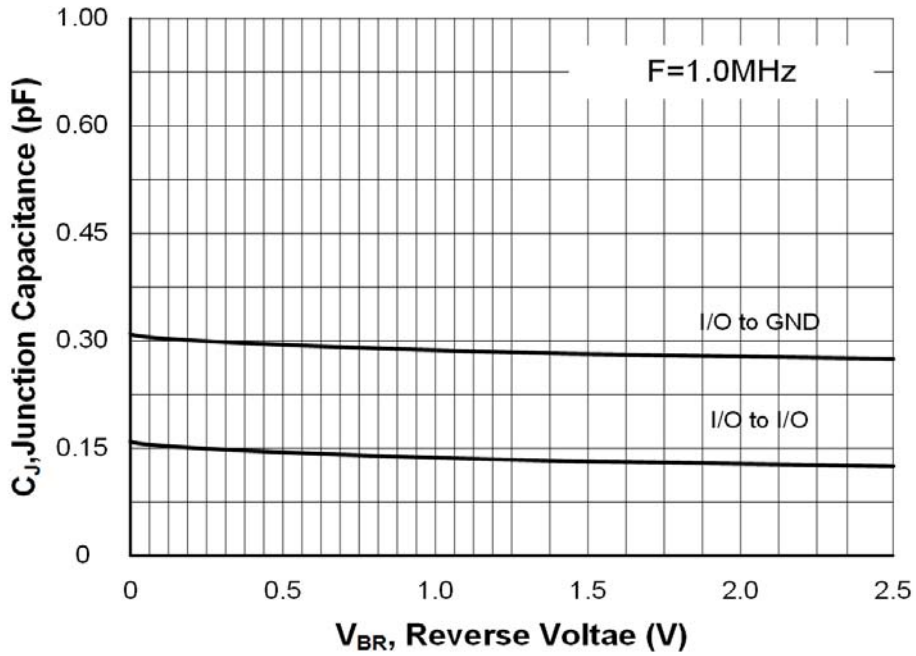


Clamping Voltage vs. Peak Pulse Current ( $t_p=8/20\mu s$ )

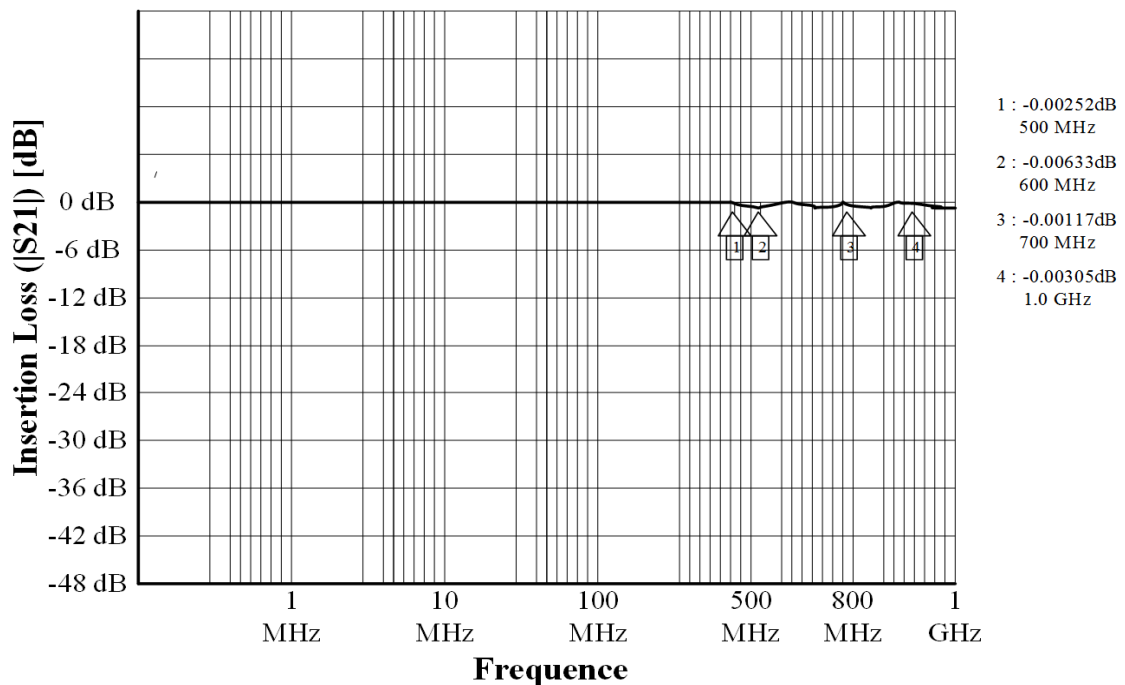


## TYPIC CHARACTERISTICS

### Typic Capacitance vs. Reverse Voltage

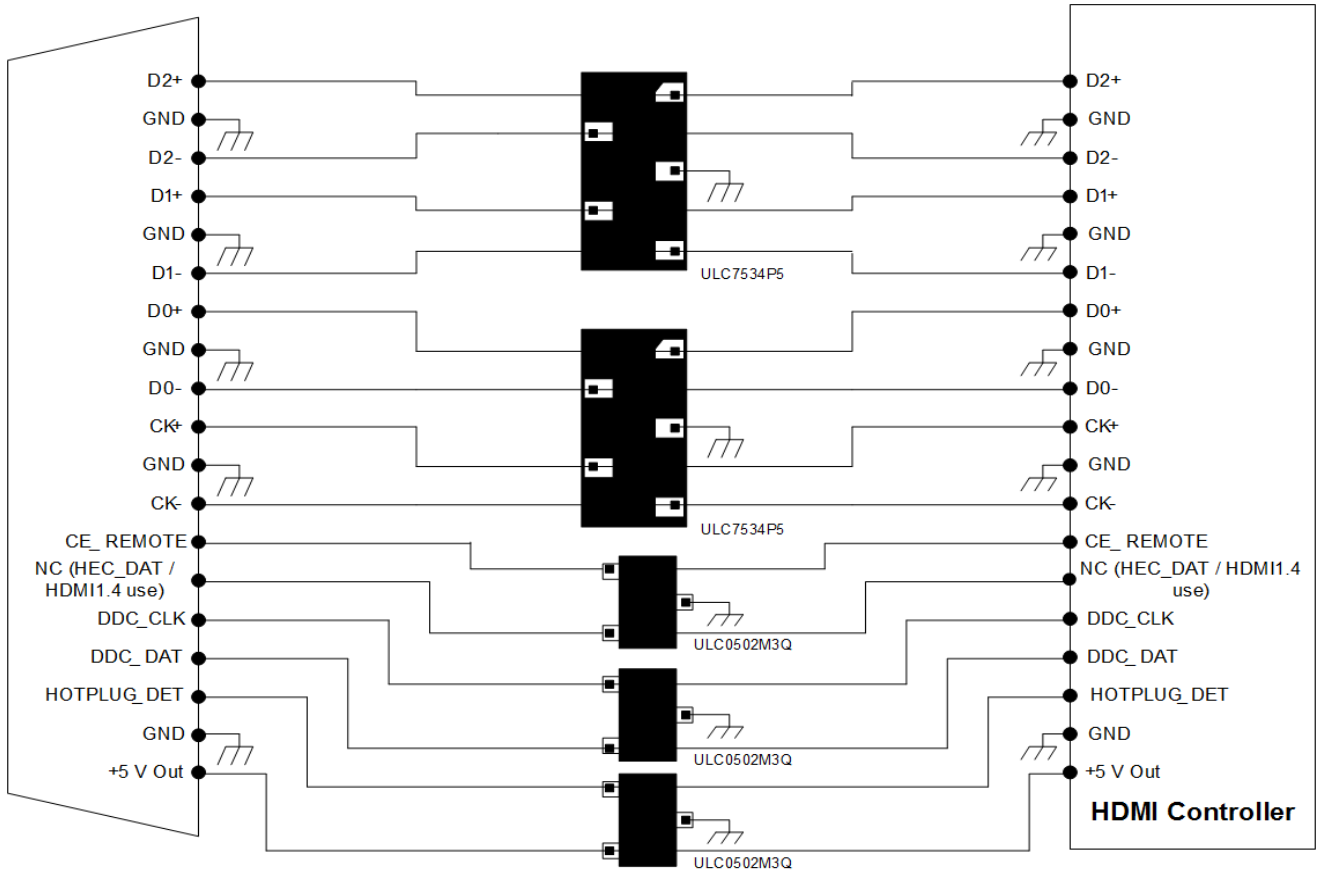


### Insertion Loss (S21)

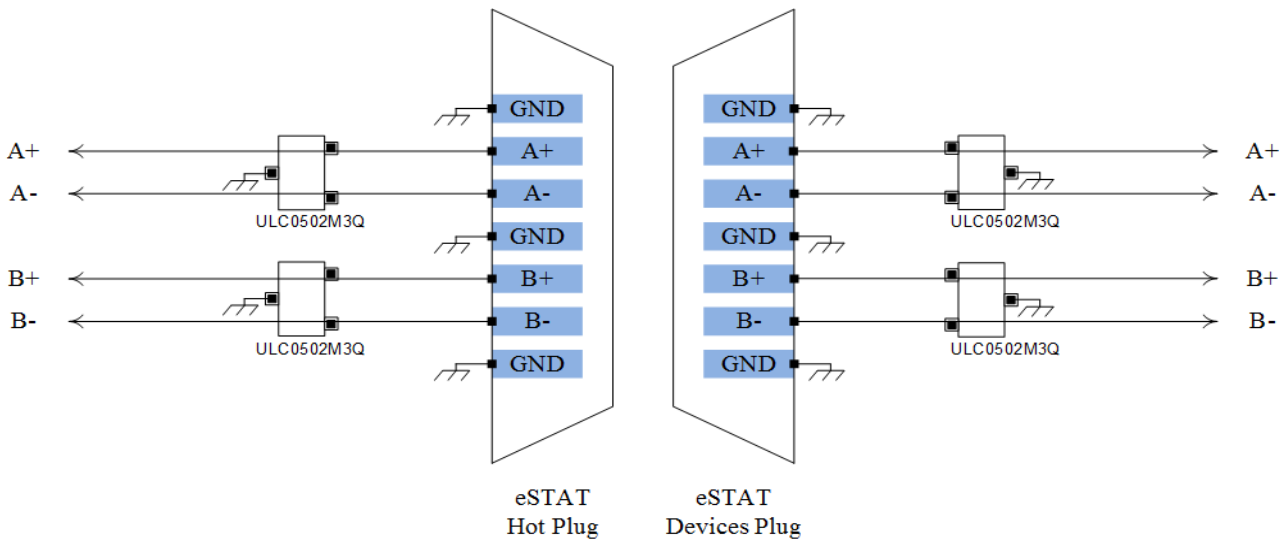


## Layout Diagrams

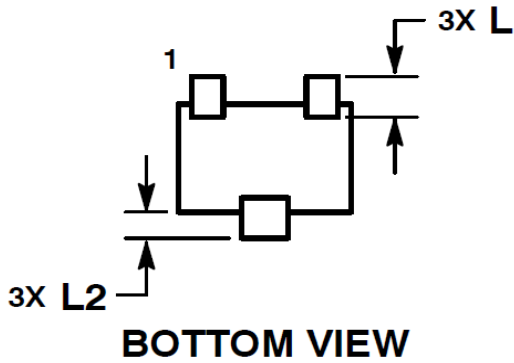
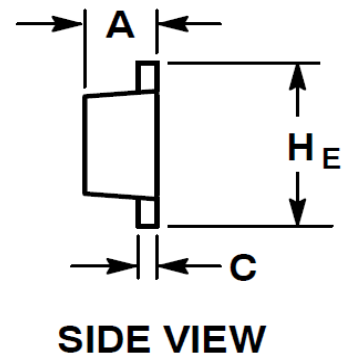
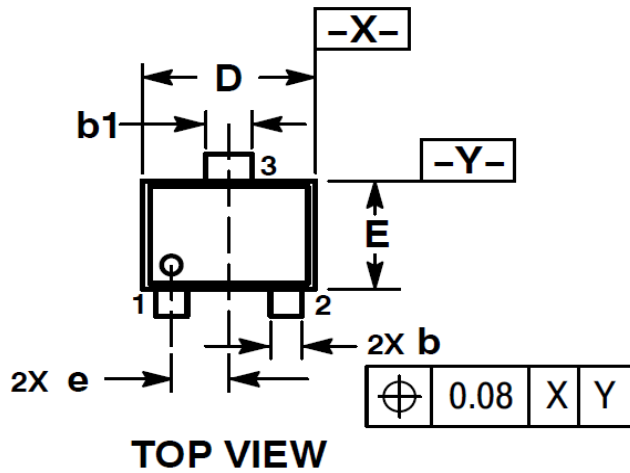
### HDMI Layout Diagram



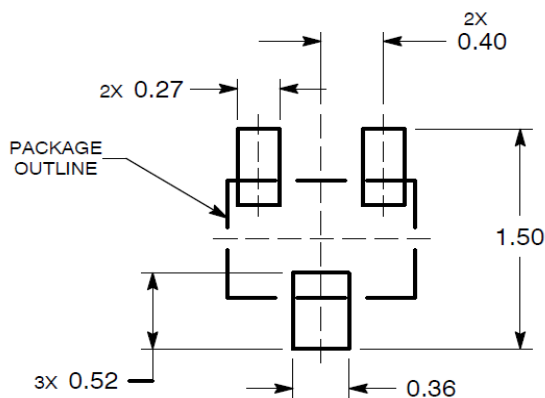
### eSTAT Layout Diagram



## SOT-723 PACKAGE OUTLINE & DIMENSIONS



### \* SOLDERING FOOTPRINT



DIM	MILLIMETERS		
	MIN	NOM	MAX
A	0.45	0.50	0.55
b	0.15	0.21	0.27
b1	0.25	0.31	0.37
C	0.07	0.12	0.17
D	1.15	1.20	1.25
E	0.75	0.80	0.85
e	0.40 BSC		
H <sub>E</sub>	1.15	1.20	1.25
L	0.29 REF		
L2	0.15	0.20	0.25

## X-ON Electronics

Largest Supplier of Electrical and Electronic Components

*Click to view similar products for [ESD Suppressors / TVS Diodes](#) category:*

*Click to view products by [Leiditech](#) manufacturer:*

Other Similar products are found below :

[60KS200C](#) [D18V0L1B2LP-7B](#) [D5V0F4U5P5-7](#) [NTE4902](#) [P4KE27CA](#) [P6KE11CA](#) [P6KE8.2A](#) [SA60CA](#) [SA64CA](#) [SMBJ12CATR](#)  
[SMBJ33CATR](#) [SMBJ6.5A](#) [SMBJ8.0A](#) [ESD101-B1-02ELS](#) [E6327](#) [ESD112-B1-02EL](#) [E6327](#) [ESD7451N2T5G](#) [19180-510](#) [CPDT-5V0USP-](#)  
[HF](#) [3.0SMCJ33CA-F](#) [3.0SMCJ36A-F](#) [HSPC16701B02TP](#) [JANTX1N6126A](#) [D3V3Q1B2DLP3-7](#) [D55V0M1B2WS-7](#) [SCM1293A-04SO](#)  
[ESD200-B1-CSP0201](#) [E6327](#) [SM12-7](#) [CEN955](#) [W/DATA](#) [VESD12A1A-HD1-GS08](#) [CPDQC5V0-HF](#) [D1213A-01LP4-7B](#) [ESD101-B1-02EL](#)  
[E6327](#) [AOZ8808DI-03](#) [5KP15A](#) [5KP48A](#) [5KP90A](#) [ESD3V3D7-TP](#) [15KPA36A-LF](#) [P4KE56CA](#) [P4KE68A](#) [P4KE91CATR](#) [P6KE120A](#)  
[P6KE13CA](#) [P6KE43CA](#) [P6KE6.8CA](#) [P6KE8.2](#) [P6SMBJ20CA](#) [JANTX1N6072A](#) [SR2835ESKG](#) [SA90CA](#)