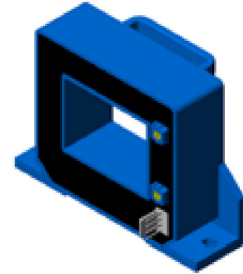


Current Transducer HAT 200 .. 1500-S

For the electronic measurement of currents: DC, AC, pulsed,..., with galvanic isolation between the primary circuit (high power) and the secondary circuit (electronic circuit).

$$I_{PN} = 200 \dots 1500 \text{ A}$$

$$V_{OUT} = \pm 4 \text{ V}$$



Electrical data

Type	Primary nominal current rms	Primary current, measuring range ¹⁾	RoHS since date code
	I_{PN} (A)	I_{PM} (A)	
HAT 200-S	200	± 600	47143
HAT 400-S	400	± 1200	46115
HAT 500-S	500	± 1500	46129
HAT 600-S	600	± 1800	46115
HAT 800-S	800	± 2400	46115
HAT 1000-S	1000	± 2500	46097
HAT 1200-S	1200	± 2500	77271
HAT 1500-S	1500	± 2500	46158

V_C	Supply voltage (± 5 %) ¹⁾	± 15	V
I_C	Current consumption	± 15	mA
R_{IS}	Isolation resistance @ 500 VDC	> 1000	MΩ
V_{OUT}	Output voltage (Analog) @ ± I_{PN} , $R_L = 10 \text{ k}\Omega$, $T_A = 25^\circ\text{C}$	± 4	V
R_{OUT}	Output internal resistance	100	Ω
R_L	Load resistance	> 10	kΩ

Accuracy - Dynamic performance data

X	Accuracy @ I_{PN} , $T_A = 25^\circ\text{C}$ (excluding offset)	≤ ± 1	% of I_{PN}
ϵ_L	Linearity error ²⁾ (0 .. ± I_{PN})	≤ ± 1	% of I_{PN}
V_{OE}	Electrical offset voltage @ $T_A = 25^\circ\text{C}$	< ± 20	mV
V_{OH}	Hysteresis offset voltage @ $I_P = 0$, after an excursion of $1 \times I_{PN}$	< ± 10	mV
TCV_{OE}	Temperature coefficient of V_{OE}	< ± 1	mV/K
TCV_{OUT}	Temperature coefficient of V_{OUT} (% of reading)	< ± 0.1	%/K
t_r	Response time to 90 % of I_{PN} step	< 5	μs
BW	Frequency bandwidth ³⁾ (- 3 dB)	DC .. 25	kHz

General data

T_A	Ambient operating temperature	- 10 .. + 80	°C
T_S	Ambient storage temperature	- 25 .. + 85	°C
m	Mass	300	g

Notes: ¹⁾ Operating at $\pm 12\text{V} \leq V_C < \pm 15\text{V}$ will reduce the measuring range

²⁾ Linearity data exclude the electrical offset

³⁾ Please refer to derating curves in the technical file to avoid excessive core heating at high frequency.

Features

- Hall effect measuring principle
- Galvanic isolation between primary and secondary circuit
- Isolation voltage 3000 V
- Low power consumption
- Extended measuring range (3 x I_{PN})
- Isolated plastic case recognized according to UL 94-V0.

Advantages

- Easy installation
- Small size and space saving
- Only one design for wide current ratings range
- High immunity to external interference.

Applications

- DC motor drives
- Switched Mode Power Supplies (SMPS)
- AC variable speed drives
- Uninterruptible Power Supplies (UPS)
- Battery supplied applications
- Power supplies for welding applications.

Application domain

- Industrial

Current Transducer HAT 200 .. 1500-S

Isolation characteristics

V_d	Rms voltage for AC isolation test, 50 HZ, 1 min	4.9	kV
\hat{V}_w	Impulse withstand voltage 1.2/50 μ s	> 9.0	kV
		Min	
dCp	Creepage distance	9.9	mm
dCI	Clearance distance	9.9	mm
CTI	Comparative Tracking Index (group IIIa)	275	

Applications examples

According to **EN 50178** and **IEC 61010-1** standards and following conditions:

- Over voltage category III
- Pollution degree PD2
- Non-uniform field

	EN 50178	IEC 61010-1
dCp, dCI, \hat{V}_w	Rated isolation voltage	Nominal voltage
Single isolation	800 V	800 V
Reinforced isolation	400 V	300 V

Safety



This transducer must be used in electric/electronic equipment with respect to applicable standards and safety requirements in accordance with the manufacturer's operating instructions.



Caution, risk of electrical shock

When operating the transducer, certain parts of the module can carry hazardous voltage (eg. primary busbar, power supply).

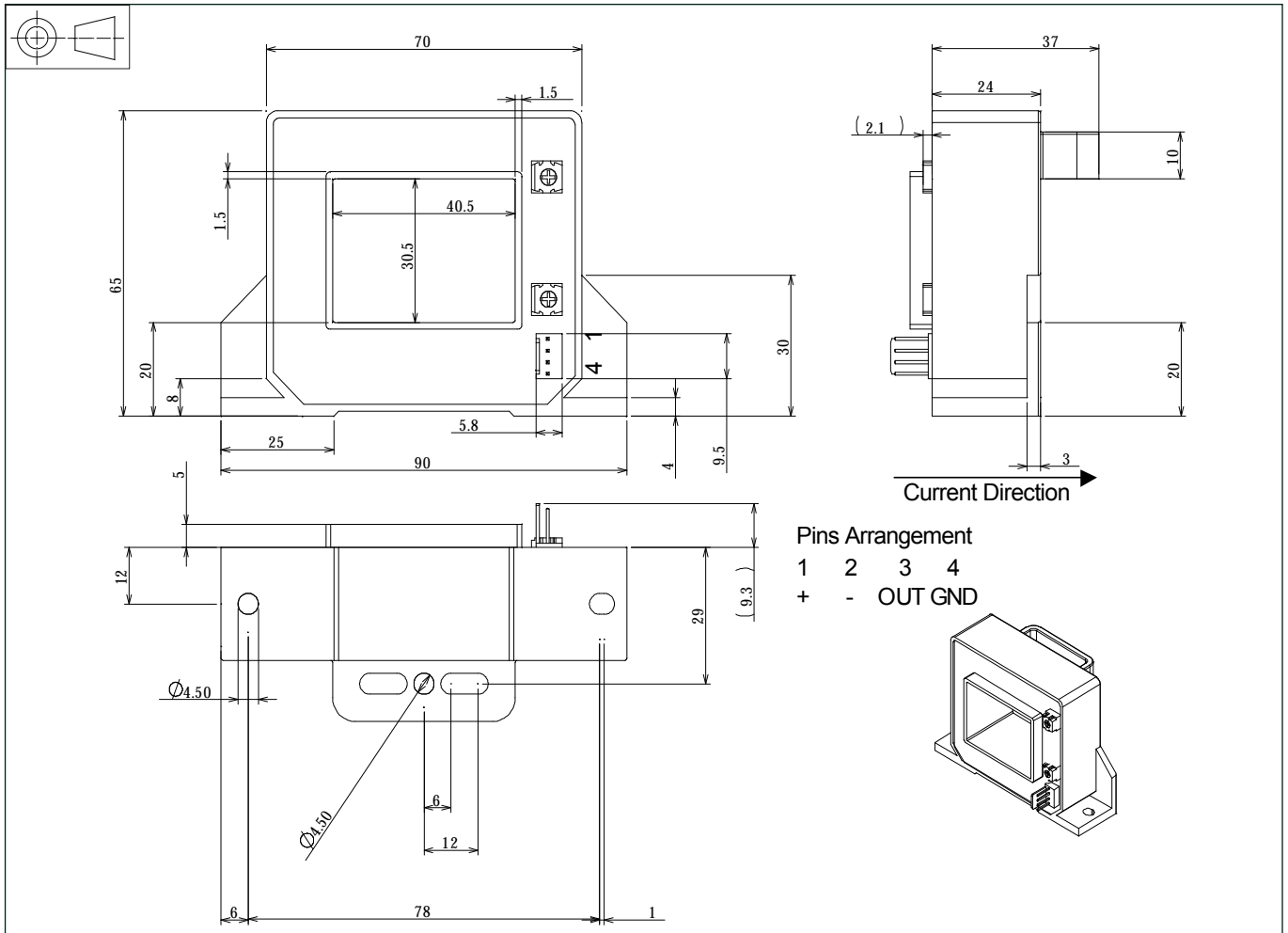
Ignoring this warning can lead to injury and/or cause serious damage.

This transducer is a build-in device, whose conducting parts must be inaccessible after installation.

A protective housing or additional shield could be used.

Main supply must be able to be disconnected.

Dimensions HAT 200 .. 1500-S (in mm. 1 mm = 0.0394 inch)



Mechanical characteristics

- General tolerance ± 1 mm
- Transducer fastening By base-plate or on busbar with M4 screws
All slots $\varnothing 4.5$ mm
- Recommended fastening torque 0.75Nm $\pm 20\%$ (0.6~0.9Nm)
- Connection of secondary Molex 5045-04A

Remarks

- I_s is positive when I_p flows in the direction of the arrow.
- The temperature of the primary busbar cannot exceed 100°C.

X-ON Electronics

Largest Supplier of Electrical and Electronic Components

Click to view similar products for [Board Mount Current Sensors](#) category:

Click to view products by [Lem](#) manufacturer:

Other Similar products are found below :

[CSDD1FR](#) [CSNP661-007](#) [S23P50100D15](#) [CSNE151-003](#) [ACS722LLCTR-05AB-T](#) [ACS733KLATR-40AB-T](#) [ACS71240LLCBTR-045B5](#)
[ACS733KLATR-65AB-T](#) [MT9523CT-20BF5](#) [TLI4971A120T5E0001XUMA1](#) [ACS724LLCTR-30AB-T](#) [ACS724LLCTR-20AB-T](#)
[ACS724LLCTR-10AB-T](#) [CH704100CT](#) [CC6921SO-20A](#) [CC6921BSO-20A](#) [TMCS1101A2BQDR](#) [TMCS1101A2UQDRQ1](#) [CI5930-20A](#)
[ACS733KLATR-20AB-T](#) [ACS758ECB-200B-PFF-T](#) [CI5931-30A](#) [MT9523CT-30BF3](#) [MT9522WT-100BF5](#) [ACS758LCB-050B-PFF-T](#)
[TMCS1101A4BQDRQ1](#) [ACS758LCB-100B-PFF-T](#) [JSM6900SO-10A](#) [HWW-SW100-16K-W](#) [HWW-S100-16K-FJ-W](#) [MT9522WT-65BF5](#)
[ACS773LCB-100B-PFF-T](#) [TMCS1108A3UQDR](#) [TMCS1107A1BQDRQ1](#) [TLE4971A025N5E0001XUMA1](#) [CH70110AB5PR](#) [ACS758KCB-](#)
[150B-PFF-T](#) [HACS712ELCTR-05B-T](#) [LZSR150-P/SP1](#) [HAS600-S/SP50](#) [LA25-NP/SP14](#) [BSP-15IOV1EM](#) [BSX1-1200IOV1LA](#) [LT308-](#)
[S7/SP1](#) [LT108-S7](#) [LT308-S7](#) [LT208-S7](#) [hat500-s](#) [HAT1200-S](#) [LT508-S6](#)