

# Current Transducer HTB 50 .. 400 - P and HTB 50 .. 100 - TP

For the electronic measurement of currents: DC, AC, pulsed..., with a galvanic isolation between the primary circuit (high power) and the secondary circuit (electronic circuit).



## Electrical data

Primary nominal current rms $I_{PN}$ (A)	Primary current measuring range $I_{PM}$ (A)	Type
± 50	± 150	HTB 50-P, HTB 50-TP <sup>1)</sup>
± 100	± 300	HTB 100-P, HTB 100-TP <sup>1)</sup>
± 150	± 450	HTB 150-P
± 200	± 500	HTB 200-P
± 300	± 600	HTB 300-P
± 400	± 600	HTB 400-P

$V_C$	Supply voltage ( $\pm 5\%$ ) <sup>2)</sup>	± 12 ..15	V
$I_C$	Current consumption	± 15	mA
$V_d$	Rms voltage for AC isolation test, 50 Hz, 1 min	2.5	kV
$R_{IS}$	Isolation resistance @ 500 VDC	> 500	MΩ
$V_{OUT}$	Output voltage (Analog) @ $\pm I_{PN}$ , $R_L = 10k\Omega$ , $T_A = 25^\circ C$	± 4	V
$R_{OUT}$	Output internal resistance	100	Ω
$R_L$	Load resistance	> 10	kΩ

## Accuracy - Dynamic performance data

$X$	Accuracy @ $I_{PN}$ , $T_A = 25^\circ C$ (excluding offset)	< ± 1	% of $I_{PN}$
$\epsilon_L$	Linearity error ( $0 \dots \pm I_{PN}$ )	< ± 1	% of $I_{PN}$
$V_{OE}$	Electrical offset voltage @ $T_A = 25^\circ C$	< ± 30	mV
$V_{OH}$	Hysteresis offset voltage @ $I_p = 0$ ; after an excursion of $1 \times I_{PN}$	< ± 1	% of $I_{PN}$
$TCV_{OE}$	Temperature coefficient of $V_{OE}$	HTB 50-(T)P HTB 100-(T)P .. 400-P	< ± 2.0 < ± 1.0 mV/K
$TCV_{OUT}$	Temperature coefficient of $V_{OUT}$ (% of reading)	< ± 0.1	%/K
$t_r$	Response time to 90% of $I_{PN}$ step	< 3	μs
$BW$	Frequency bandwidth (- 3 dB) <sup>3)</sup>	DC .. 50	kHz

## General data

$T_A$	Ambient operating temperature	- 40 .. + 80	°C
$T_S$	Ambient storage temperature	- 40 .. + 85	°C
$m$	Mass	< 30 (< 36)	g
	Standards	EN 50178 :	1997

2 pins of Ø2mm diameter are available on transducer for PCB soldering

- Notes :**
- <sup>1)</sup> -TP version is equipped with a primary bus bar.
  - <sup>2)</sup> Operating at  $\pm 12V \leq V_C < \pm 15V$  will reduce the measuring range.
  - <sup>3)</sup> Derating is needed to avoid excessive core heating at high frequency.

$I_{PN} = 50 \dots 400 \text{ A}$



## Features

- Hall effect measuring principle
- Galvanic isolation between primary and secondary circuit
- Isolation voltage 2500 V
- Low power consumption
- Wide power supply:  $\pm 12 \dots 15 \text{ V}$
- Primary bus bar option for 50 A and 100 A version for ease of connection

## Advantages

- Small size and space saving
- Only one design for wide current ratings range
- High immunity to external interference.

## Applications

- AC variable speed drives
- Static converters for DC motor drives
- Battery supplied applications
- Uninterruptible Power Supplies (UPS)
- Switched Mode Power Supplies (SMPS)
- Power supplies for welding applications

## Application domain

- Industrial

## Current Transducer HTB 50 .. 400-P and HTB 50 .. 100-TP

### Isolation characteristics

$V_d$	Rms voltage for AC isolation test, 50 Hz, 1 min	2.5	kV
$V_e$	Partial discharge extinction voltage rms @ 10pC	> 500	V
$V_w$	Impulse withstand voltage 1.2/50 $\mu$ s	4	kV
<b>dCp</b>	Creepage distance	> 4.5	mm
<b>dCl</b>	Clearance distance	> 4.5	mm
<b>CTI</b>	Comparative tracking index (Group IIIa)	275	

### Application examples

According to EN 50178 and CEI 61010-1 standards and following conditions :

- Over voltage category III
- Pollution degree 2
- Heterogeneous field

	EN 50178	IEC 61010-1
Single isolation	300 V	300 V
Reinforced isolation	150 V	150 V

### Safety



This transducer must be used in electric/electronic equipment with respect to applicable standards and safety requirements in accordance with the manufacturer's operating instructions.



Caution, risk of electrical shock

When operating the transducer, certain parts of the module can carry hazardous voltage (eg. primary busbar, power supply).

Ignoring this warning can lead to injury and/or cause serious damage.

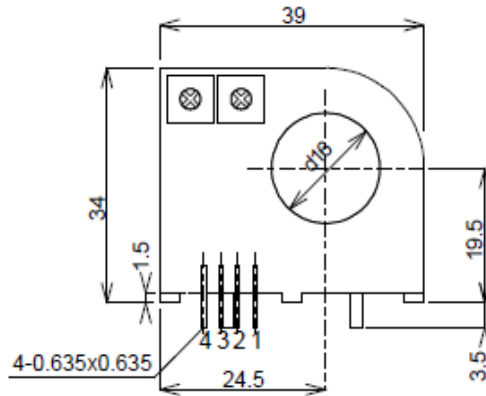
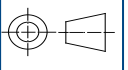
This transducer is a built-in device, whose conducting parts must be inaccessible after installation.

A protective housing or additional shield could be used.

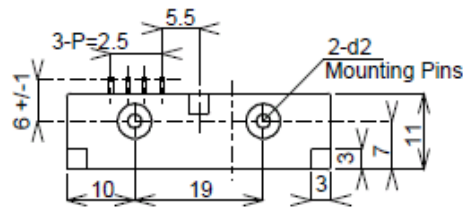
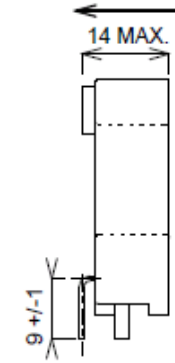
Main supply must be able to be disconnected.

**Dimensions HTB 50 .. 400-P and HTB 50 .. 100-TP** (in mm. 1 mm = 0.0394 inch)

**HTB 50..400-P**



Positive Current Flow

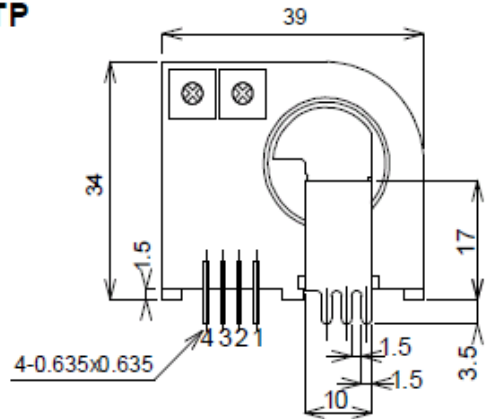
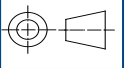


Secondary Pin Identification

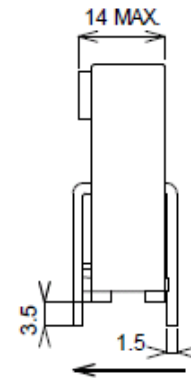
- 1 +Vc
- 2 -Vc
- 3 Output
- 4 0V

General tolerance:  $\pm 0.5$  mm

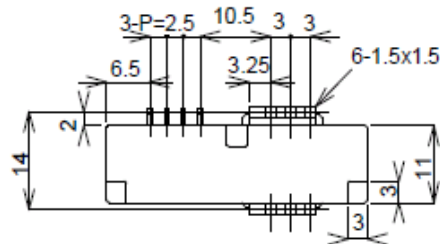
**HTB 50..100-TP**



14 MAX.



Positive Current Flow



Secondary Pin Identification

- 1 +Vc
- 2 -Vc
- 3 Output
- 4 0V

General tolerance:  $\pm 0.5$  mm

## X-ON Electronics

Largest Supplier of Electrical and Electronic Components

*Click to view similar products for [Board Mount Current Sensors](#) category:*

*Click to view products by [Lem](#) manufacturer:*

Other Similar products are found below :

[CSDD1FR](#) [CSNP661-007](#) [S23P50100D15](#) [CSNE151-003](#) [ACS722LLCTR-05AB-T](#) [ACS733KLATR-40AB-T](#) [ACS71240LLCBTR-045B5](#)  
[MT9523CT-20BF5](#) [TLI4971A120T5E0001XUMA1](#) [ACS724LLCTR-30AB-T](#) [ACS724LLCTR-05AB-T](#) [ACS724LLCTR-20AB-T](#)  
[ACS724LLCTR-10AB-T](#) [MT9523CT-50BF5](#) [CH704100CT](#) [CC6921SO-20A](#) [CC6921BSO-20A](#) [TMCS1101A2UQDRQ1](#) [CI5930-20A](#)  
[ACS733KLATR-20AB-T](#) [ACS758ECB-200B-PFF-T](#) [CI5931-30A](#) [MT9522WT-100BF5](#) [ACS758LCB-050B-PFF-T](#) [TMCS1101A4BQDRQ1](#)  
[ACS758LCB-100B-PFF-T](#) [JSM6900SO-10A](#) [MT9522WT-65BF5](#) [ACS773LCB-100B-PFF-T](#) [TMCS1107A1BQDRQ1](#)  
[TLE4971A025N5E0001XUMA1](#) [CH70110AB5PR](#) [ACS758KCB-150B-PFF-T](#) [HACS712ELCTR-20A-T](#) [HACS712ELCTR-05B-T](#)  
[KTD1100-QNX](#) [LA25-NP/SP14](#) [LT308-S7](#) [hat500-s](#) [HAT1200-S](#) [ACS712ELCTR-30A-T\(XBLW\)](#) [ACS712ELCTR-05B-T\(XBLW\)](#)  
[ACS712ELCTR-20A-T\(XBLW\)](#) [GZC6201AC020PK05](#) [HX712-20-S](#) [HX714-05-S](#) [HX714-20-S](#) [HX714-30-S](#) [HX724-05B-S](#) [HX724-30B-S](#)