

## SUMMARY

### # Wires



*Image is for illustrative purpose only*

|                  |                         |
|------------------|-------------------------|
| Series           | 1S                      |
| Termination type | No contacts / Accessory |
| IP rating        | 0                       |
| AWG wire size    | 0.00 - 0.00             |
| Cable Ø          | 0.00 - 0.00 mm          |
| Status           | active                  |

### Download

[Request a quote](#)

[Catalog](#)

## TECHNICAL DETAILS

### Mechanics

|                   |                         |
|-------------------|-------------------------|
| Shell Style/Model | GRA*: Insulating washer |
| Keying            | No keying               |
| Housing Material  | Polyamide, blue         |
| Weight            | .13 g                   |

### Performance

|               |
|---------------|
| Configuration |
| Insulator     |
| Rated Current |

### Others

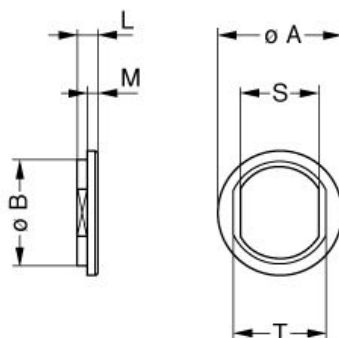
|                      |                             |
|----------------------|-----------------------------|
| Temp (min / max):    | -50° C / +90° C             |
| Humidity (max):      | <=95% [at 60 deg C / 140 F] |
| Vibration:           | 15 g [10 Hz - 2000 Hz]      |
| Shock Resistance:    | 100 g [ 6 ms]               |
| Climatical Category: | 50/175/21                   |

*LEMO products and services are provided "as is". LEMO makes no warranties or representations with regard to LEMO product & services or use of them, express, implied or statutory, including for accuracy, completeness, or security. The user is fully responsible for his products and applications using LEMO components.*

Shielding (min): 75 dB (10 MHz)  
Shielding (min): 40 dB (1 GHz)

---

## DRAWINGS



**No keying**

### Dimensions

|     | A    | B    | L    | M    | S    | T    |
|-----|------|------|------|------|------|------|
| mm. | 16   | 13.8 | 1.8  | 1    | 10.6 | 12.2 |
| in. | 0,63 | 0,54 | 0,07 | 0,04 | 0,42 | 0,48 |

---

## RECOMMENDED BY LEMO

### Tools

*LEMO products and services are provided "as is". LEMO makes no warranties or representations with regard to LEMO product & services or use of them, express, implied or statutory, including for accuracy, completeness, or security. The user is fully responsible for his products and applications using LEMO components.*

## X-ON Electronics

Largest Supplier of Electrical and Electronic Components

*Click to view similar products for [Circular Push Pull Connectors](#) category:*

*Click to view products by [LEMO](#) manufacturer:*

Other Similar products are found below :

[6407-249V-11273P](#) [6408-201V-13273](#) [6408-202V-13343](#) [6408-202V-17343](#) [EZG.0B.309.CLN](#) [FFA.2S.310.ZLA](#) [FGA.1B.307.CYCD72Z](#)  
[FGJ.1B.304.CLLD76](#) [FGJ.1B.306.CWLD72](#) [FGJ.3B.304.CYMD10Z](#) [FGJ.3B.304.CYMD82Z](#) [PCS.01.250.DLLE24](#) [PHG.0K.305.CYMC40Z](#)  
[PHG.1K.308.CLLK85](#) [PKG.M0.6BL.LZ](#) [PLC.M1.0SL.LA](#) [GMA.10.290.DN](#) [GMA.3B.090.DA](#) [PRG.M0.6GL.LC52GZ](#) [PSA.1S.275.CTLC66](#)  
[ABF.1S.250.NTA](#) [133020F](#) [1331ER193MZ](#) [1332M107MZ](#) [DTS26Z19-32JA-LC](#) [DTS26Z19-32SA](#) [DTS26Z19-32SA-LC](#) [DTS26Z23-55HA](#)  
[DTS26Z23-55HA-LC](#) [DTS26Z23-55JA-LC](#) [EAJ.1B.306.CWA](#) [ECG.XB.312.CLL](#) [1589430-2](#) [EEA.0B.305.CLN](#) [EEA.0B.309.CLL](#)  
[ELF.00.250.NTL](#) [ERA.01.250.DLL](#) [BRR.2S.200.PZVG](#) [HR10A-P](#) [CAH.M34.SLL.C72GZ](#) [CAJ.M34.SLL.C72GZ](#) [300500](#) [ESB.00.303.NLL](#)  
[EXG.0B.309.HLN](#) [FFB.1S.250.CLAC27](#) [FGA.2B.306.CYCD92](#) [FGA.2B.306.CYCD92Z](#) [FGA.XB.312.CLAD72](#) [FGJ.1B.302.CYMD62](#)  
[FGJ.3B.308.CLLD72Z](#)