



LEOPARD IMAGING INC

LI-AR0231-GMSL-xxxH

Data Sheet

Key Features

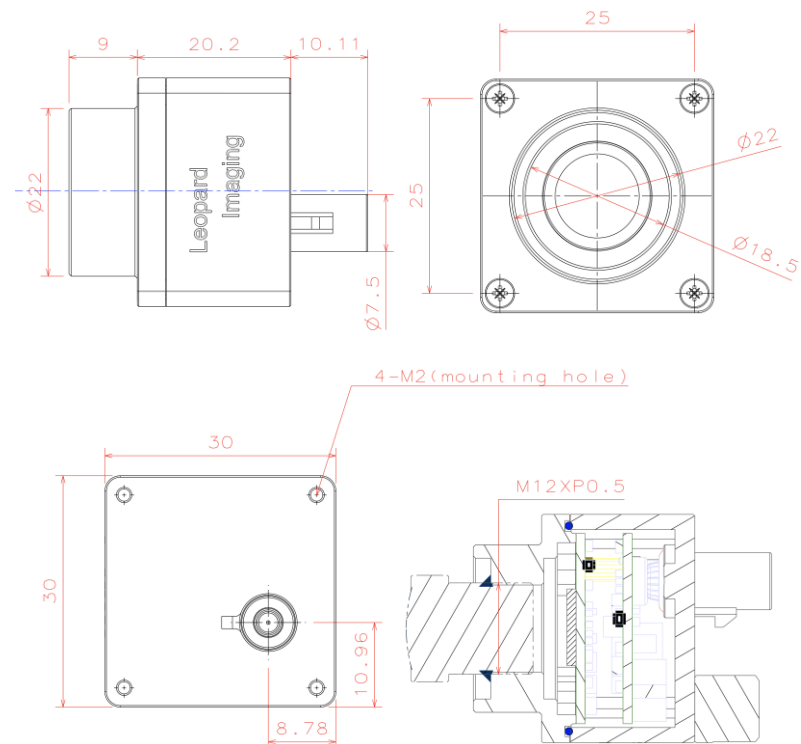
- ON SEMI 2.3MP AR0231 RCCB Sensor
- Optical format: 1/2.7"
- Maximum resolution: 1928H x 1208V
- Pixel size: 3 um x 3 um
- Full resolution @ 30fps
- Output 12 bit Raw data
- 27MHz clock input
- Support 4 V ~ 12V Power
- Lens: FOV H 60 / 120 / 200
- MAX96705 Serializer
- Support Nvidia Drive PX2
- Connector: FAKRA Z TYPE
- Water proof: IP67 (Up to IP69K)
- Operation Temp: -40 ~ 85 °C
- Storage Temp: -40 ~ 105 °C
- Size: 30 x 30 x 20.2 mm
- Weight: 45 g
- Part#: **LI-AR0231-GMSL-xxxH**



Application

- Automotive ADAS
- 1080p30 video applications
- ADAS + Viewing Fusion

Dimensions

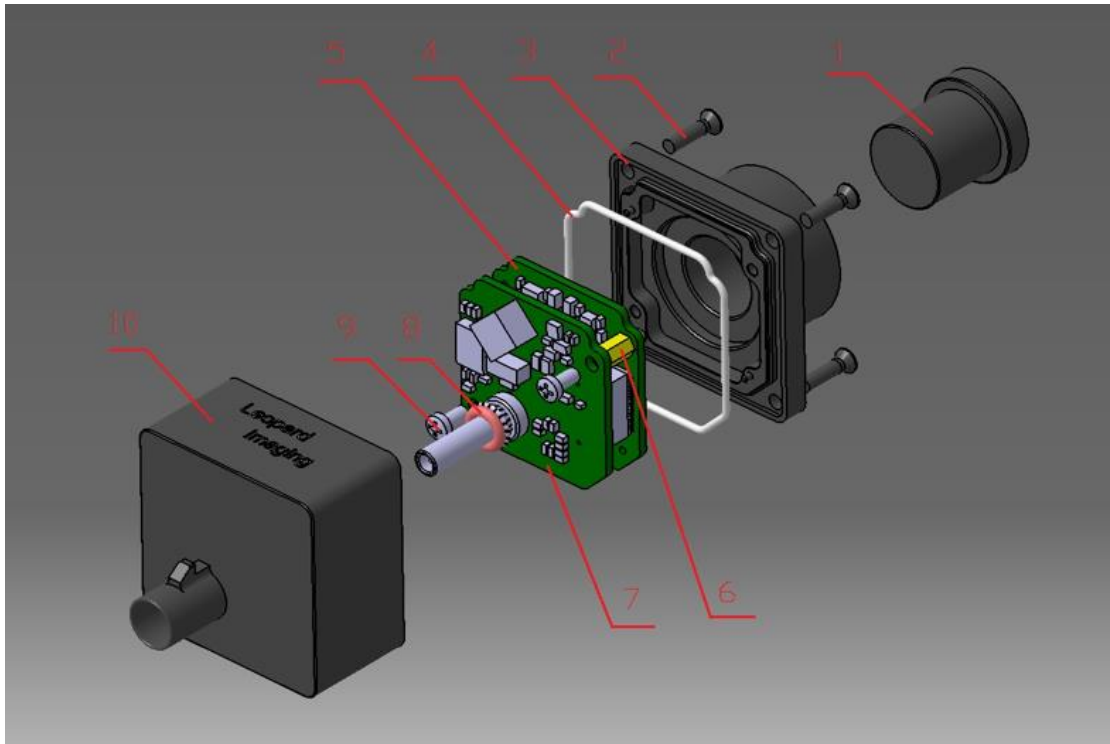


Leopard Imaging Inc.

1130 Cadillac Ct., Milpitas, CA 95035, USA
Phone: +1-408-263-0988
Fax: +1-408-217-1960
Email: sales@leopardimaging.com
Website: www.leopardimaging.com

BOM

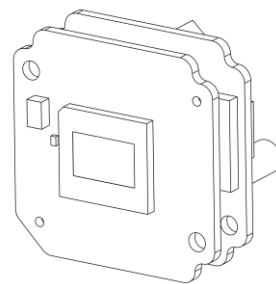
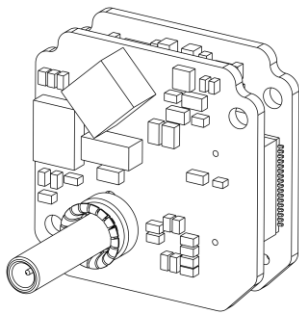
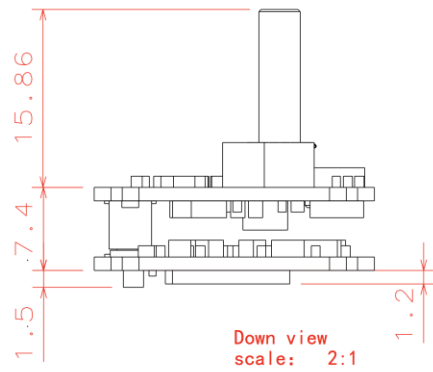
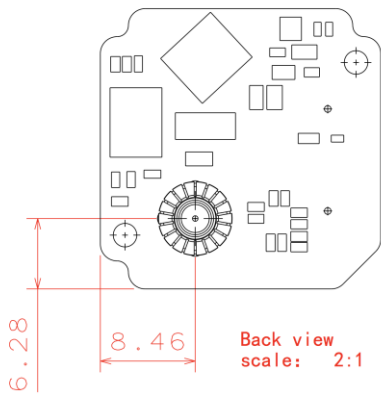
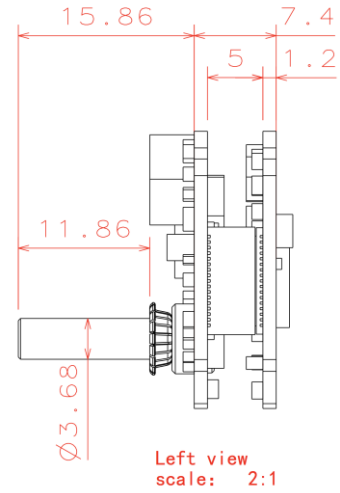
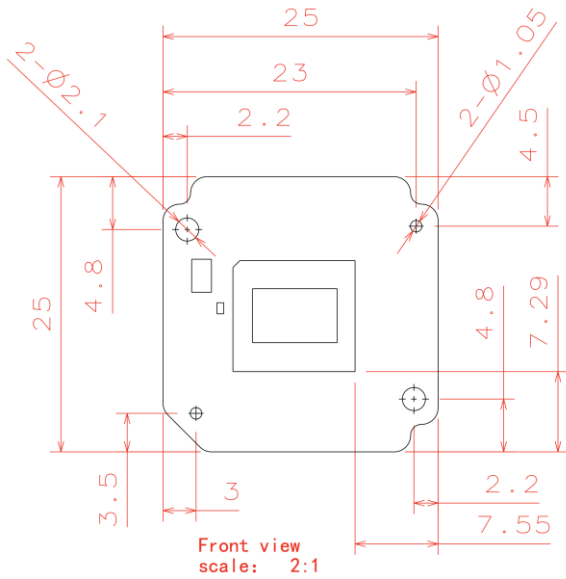
#	Name	SPEC	QTY/SET
1	Lens	M12 lens	1
2	Screw	M2*8 cross flat head black ZINC	4
3	Shell 2	AL6061-T6 BLACK Anodizing	1
4	Sealing ring	Silicon rubber, White	1
5	LI-AR0231-CAM	AR0231 sensor board	1
6	Copper pillar	M2*5+3	2
7	LI-GMSL-FKR	GMSL board	1
8	O ring	6.5*1.5 Silicon rubber Red	1
9	Screw	M2*4 cross pan head black ZINC	2
10	Shell 1	AL6061-T6 BLACK Anodizing	1



Leopard Imaging Inc.

1130 Cadillac Ct., Milpitas, CA 95035, USA
 Phone: +1-408-263-0988
 Fax: +1-408-217-1960
 Email: sales@leopardimaging.com
 Website: www.leopardimaging.com

Camera boards Dimensions

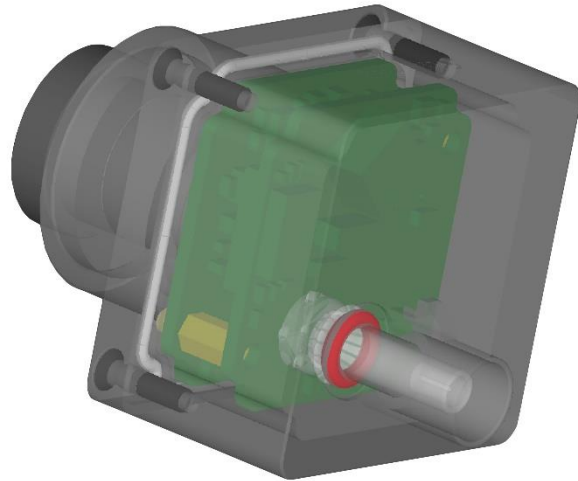


Leopard Imaging Inc.

1130 Cadillac Ct., Milpitas, CA 95035, USA
 Phone: +1-408-263-0988
 Fax: +1-408-217-1960
 Email: sales@leopardimaging.com
 Website: www.leopardimaging.com

Water Proof

- Metal Housing
- Water-proof M12 lens
- Sealed Gasket (White)
- Sealed O-ring (Red)



Cable Connector

- Housing Connector- FAKRA Z Type
- Cable length: 3 meters
Support single Coax Cable transmit up to 15 meters
- Cable Part#: FAK-SMZSMZ-0008
- FAKRA type connectors



Leopard Imaging Inc.

1130 Cadillac Ct., Milpitas, CA 95035, USA
Phone: +1-408-263-0988
Fax: +1-408-217-1960
Email: sales@leopardimaging.com
Website: www.leopardimaging.com

Ordering Information

Part#: LI-AR0231-GMSL-xxxH



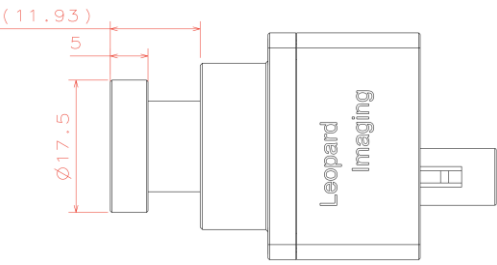
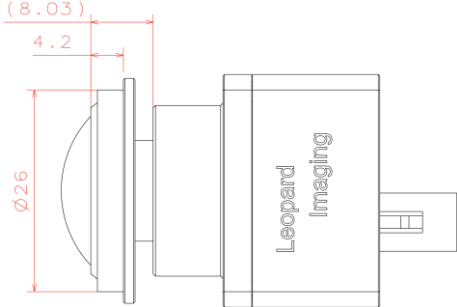
Note:

Sensor Revision 7: RCCB

xxxH - 060H: FOV H 60°

120H: FOV H 120°

200H: FOV H 200°

LI-AR0231-GMSL-060H	LI-AR0231-GMSL-120H	LI-AR0231-GMSL-200H
		
<p>Lens: M127B0618W Lens EFL: 6.0 mm FOV(D): 74.5° FOV(H): 60.6° FOV(V): 36.1°</p>	<p>Lens: M128B02820WM12R1 Lens EFL: 2.8 mm FOV(D): 148° FOV(H): 122° FOV(V): 74°</p>	<p>Lens: F132B0108WM12 Lens EFL: 1.08 mm FOV(D): 200° FOV(H): 200° FOV(V): 200°</p>
		



Leopard Imaging Inc.

1130 Cadillac Ct., Milpitas, CA 95035, USA

Phone: +1-408-263-0988

Fax: +1-408-217-1960

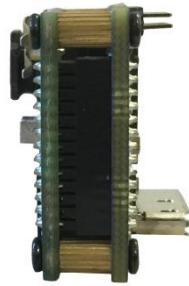
Email: sales@leopardimaging.com

Website: www.leopardimaging.com

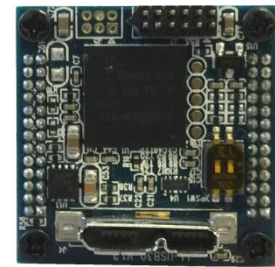
LI-TESTER-NV



Front View



Side View



Back View

LI-AR0231-GMSL can connect to USB 3.0 EVA module as a USB 3.0 camera.

Part#: [LI-USB30-AR0231-GMSL-xxxH](#)

Key Features

- USB 3.0 Super Speed support
- RAW data output without compression
- UVC compliance
- Provide customization services
- USB +5VDC powered device
- Weight: 86 g
- Single Coax Cable transmit up to 15 meter PoC(Power over Cable)
- Support 1928x1256@30fps
- Power consumption: 350 mA at 5 VDC

SDK Supported

- Camera Tool Source Code in C#
- Capture & Display
- Save file as BMP & RAW format



Revision History

Revision	Description	Release Date
1.0	First Release	5. Feb. 2017
1.1	Update Part Numbers	29. Mar. 2017
1.2	Add USB 3.0 module	5. Apr. 2017
1.3	Add VFOV	7. Apr. 2017
1.4	Change the cable length to 3 meters	8. May. 2017
1.5	Update the camera dimensions and lens information	21. May. 2017
1.6	Add Sensor Revision 7	14. June. 2017
1.7	Change the part#, remove Rev4 and Rev6	11. Jan. 2018



X-ON Electronics

Largest Supplier of Electrical and Electronic Components

Click to view similar products for [Video IC Development Tools](#) category:

Click to view products by [Leopard Imaging](#) manufacturer:

Other Similar products are found below :

[EVAL-ADV7181DEBZ](#) [TW6872-NA1-CR-EVALZ](#) [MAX9268EVKIT+](#) [MAX3815AHDMIEVKIT+](#) [MAX2850EVKIT+](#) [ISL59110IEZ-EVALZ](#) [LI-USB30-CNTL](#) [P0447](#) [1937](#) [EVAL-ADV7182EBZ](#) [EVAL-ADV7281EBZ](#) [EVAL-ADV7283EBZ](#) [ADZS-DECODE-EX3](#) [EBK-GS6080-00](#) [MXOV10635-S32V](#) [OV10640CSP-S32V](#) [1823](#) [EVAL-ADV7391EBZ](#) [EVAL-ADV7280AMEBZ](#) [ME813A-WH50C](#) [EVAL-ADV7282AEBZ](#) [ME812AU-WH50R](#) [ME812A-WH50R](#) [EVAL-ADV7182AEBZ](#) [ME813AU-WH50C](#) [EVAL-ADV7282AMEBZ](#) [EVAL-ADV7281AMEBZ](#) [DFR0517](#) [LI-TX1-KIT-IMX274CS-T](#) [LI-TX1-KIT-IMX274CS](#) [3508](#) [DEV-14028](#) [VIDEO-DC-MIPI](#) [EVAL-ADV7280AEBZ](#) [107244](#) [LF-PNV-EVN](#) [EP-DCOV2735-F36](#) [UP-PACK-VISION-002](#) [3099](#) [3100](#) [3414](#) [3415](#) [397](#) [4248](#) [DC794A](#) [EVAL-AD9984AEBZ](#) [EVAL-ADV7180-32EBZ](#) [EVAL-ADV7180LFEBZ](#) [EVAL-ADV7180LQEBZ](#) [EVAL-ADV7181CLQEBZ](#)