

Miniature 4K HDR Lens



Description

The DSL612 lens is a miniature 4K HDR lens designed for HDR or standard sensors up to 1/1.8" format size. The low F-number, thermal stability and Sunex LowGhost™ HDR characteristics make this lens ideal for security, wearable, drone and video-conferencing applications where high sharpness and environmental stability are required.

Key Features

- HFOV ~ 30° on 1/2" format sensors
- Sunex LowGhost™ HDR
- Excellent low light performance: F/2.0 aperture
- Compact Board-Mount size

Optical Specifications

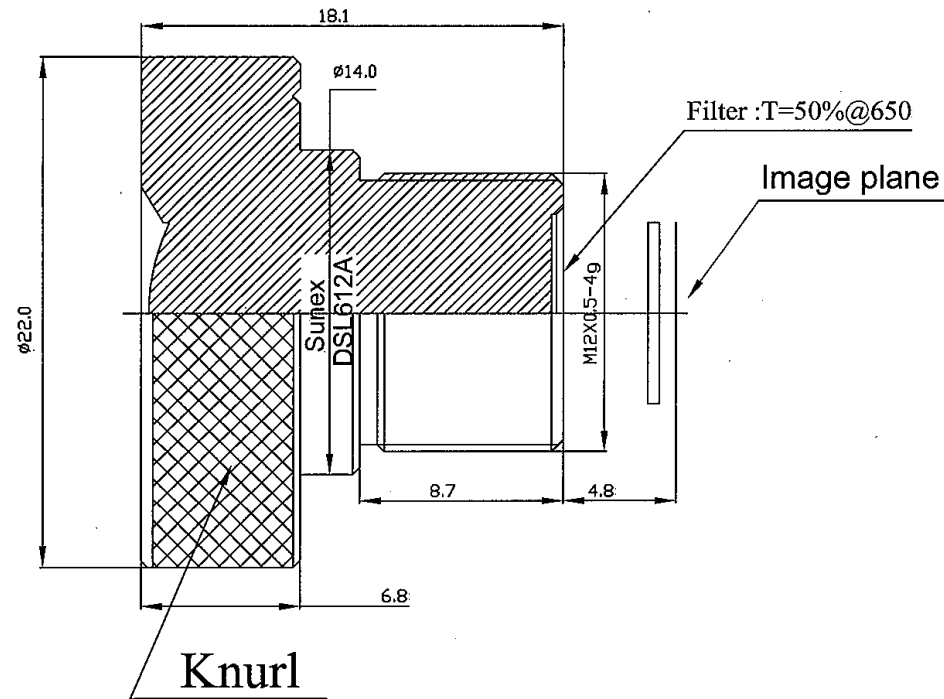
Sunex PN DSL612	
Description	4K HDR Lens
Imager Format	Up to 1/1.8"
Nominal Imager Resolution	8MP
Focal length	11.9mm
Relative Aperture (F/#)	2.0
Design Image Circle	8.8mm
Field of View	30° at 6.2mm image circle 40° at 8.0mm image circle
Total Track Length	22.4mm
Distortion	-4.8% rectilinear at 8.0mm image circle
Chief Ray Angle	14° at 8.0mm image circle, linear
IR cut-off filter	IR cutoff at 650nm optional

Applications

- Security and Surveillance cameras
- Wearable and Drone cameras
- Video Conferencing

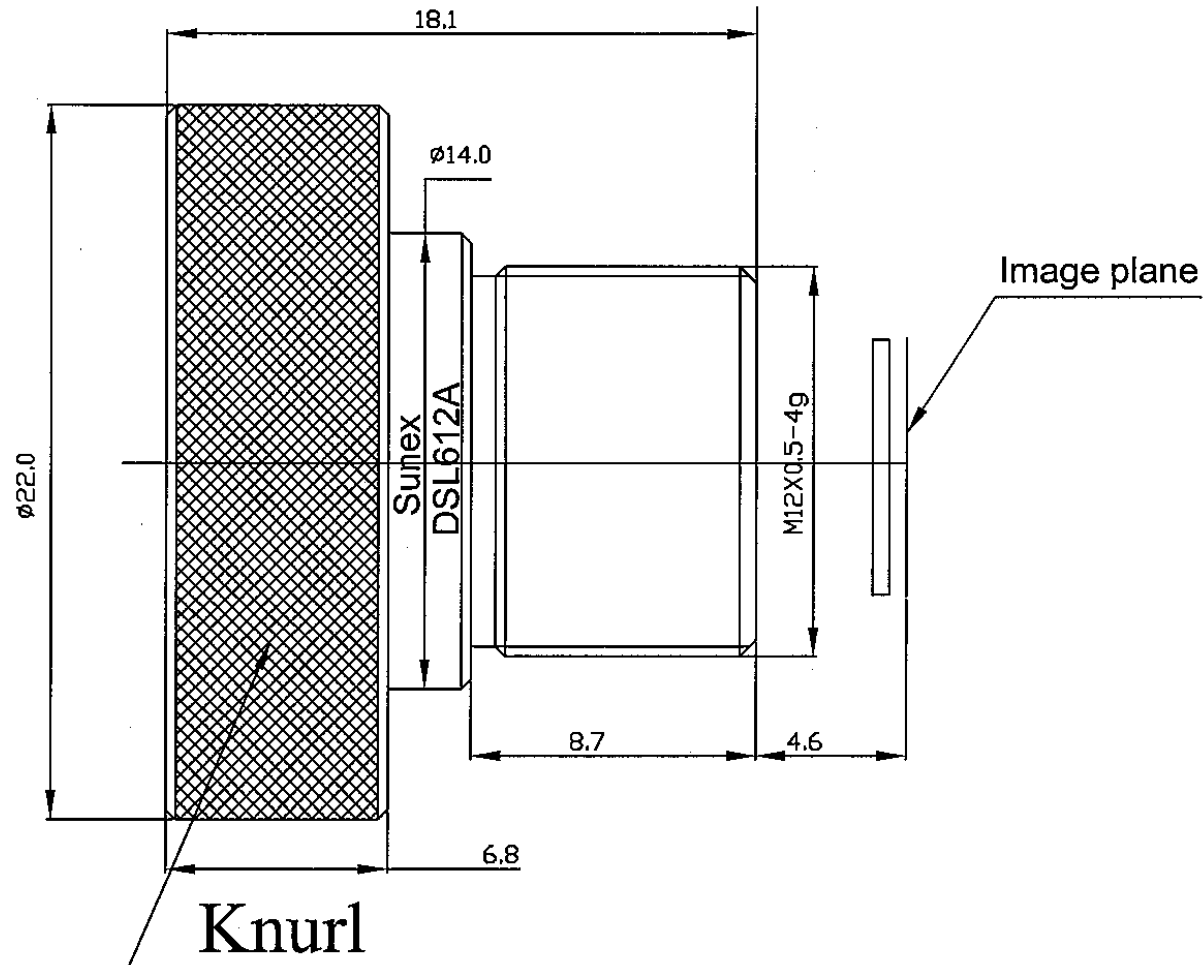
DSL612A-650-F2.0 Mechanical Dimensions [mm]:

Note: DSL612A is intended for use with Sunex CMT821 or CMT822 mounts



DSL612A-NIR-F2.0 Mechanical Dimensions [mm]:

Note: DSL612A is intended for use with Sunex CMT821, or CMT822 mounts



X-ON Electronics

Largest Supplier of Electrical and Electronic Components

Click to view similar products for [Sensor Fixings & Accessories](#) category:

Click to view products by [Leopard Imaging](#) manufacturer:

Other Similar products are found below :

[F03-01 SUS304 BINIL](#) [8000-5130](#) [FH-AP1](#) [PH-1-10M](#) [PH-1-20M](#) [PH-2-30M](#) [AC201](#) [R4](#) [ADI-LC3S](#) [EC18-WELL](#) [PBT420-100R](#) [PC-15015](#) [K35-4](#) [A-1923](#) [SS-12143](#) [STA12](#) [AP4-T](#) [PH-1-50M](#) [R6](#) [D01051301](#) [43912557-020](#) [MF-1 D=3.2](#) [BGN-035](#) [E39-L7](#) [ZX-SB11](#) [D01070602](#) [606072](#) [606075](#) [Y92ES12PVC4A10ML](#) [Y92ES12PVC4S5ML](#) [SA9Z-F11](#) [Z49-SF1](#) [ZFV-XMF2](#) [E4R-R12A-CS3M010](#) [28810-2](#) [ZX-SW11E V3](#) [CCS-PL-LDR2-70](#) [E4R-R12A-CS3M020](#) [BS-1T CHITAN](#) [F03-01 CHITAN](#) [CCS-PD2-1012](#) [ZX-SFW11E V3](#) [PH-2-90M](#) [PH-2-5M](#) [XMLZL008](#) [AC244](#) [28810-1](#) [PH-1-40M](#) [SS-12225](#) [32043-500](#)