

Rev.	Description of revision	Date	By
Ø	Refer from GP-14145A (FAW-1233-TX) and use -01 for and -02 for 200mm.	25/7/2015	Wittaya
C	UPDATE 700 MM LENGTH VERSION	13/08/2018	Kashiwa
D	UPDATE LENGTH. -60 FOR 600MM.	21/08/2018	Kashiwa

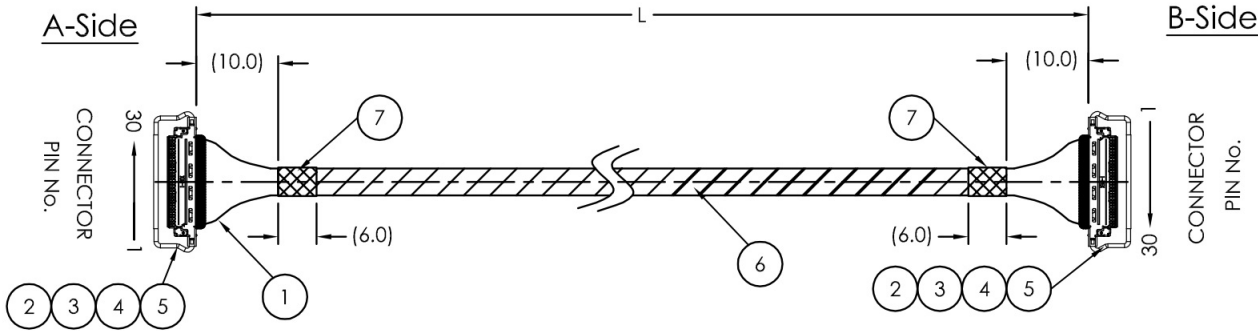
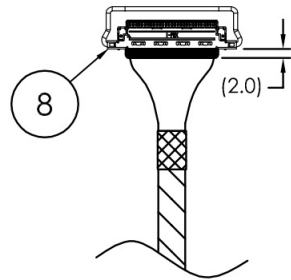
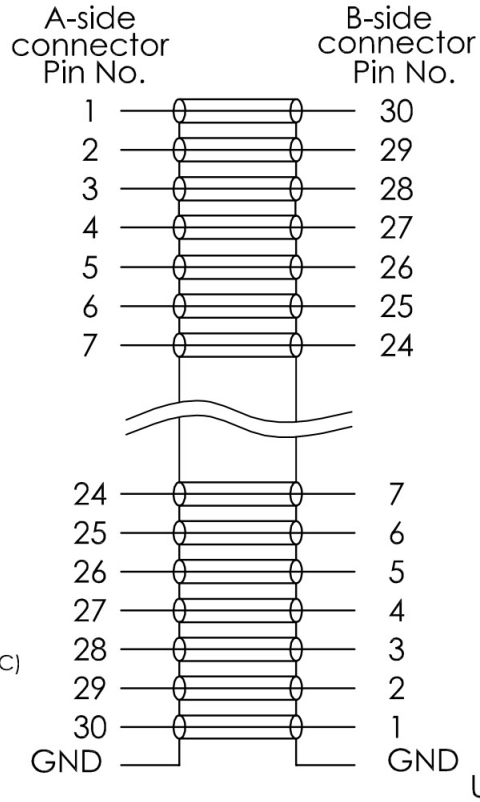


Fig. 1 Applying UV resin



WIRING



Unit:mm

Description	L (mm)
FAW-1233-01	100.0±5.0
FAW-1233-02	200.0±5.0
FAW-1233-03	300.0±10.0
FAW-1233-04	400.0±15.0
FAW-1233-05	500.0±15.0
FAW-1233-60	600.0±15.0
FAW-1233-07	700.0±15.0
FAW-1233-08	800.0±20.0
FAW-1233-09	900.0±20.0
FAW-1233-10	1,000.0±20.0



NOTE.

1. Apply UV resin at the end of connector to cover cables both sides of the cable assembly (Fig.1).

Test:

Insulation resistance: Min 50M ohms. (DC.300V Megaohm tester, 0.1 SEC)
 Dielectric strength: No break down. (AC100V 0.1 SEC)
 Continuity wire collation: To be correct as shown in wiring.

8	UV RESIN	2	LOCBOND P/N : LOCBOND 349
7	TAPE	2	CHUKOH P/N: ASF-116T
6	TAPE	1	CHUKOH P/N: SEF-110
5	FLAT COPPER WIRE	4	GROUND BAR
4	PULL BAR	2	I-PEX P/N : 2766-0301
3	SHIELD PLATE	2	I-PEX P/N : 2764-0301-002
2	CONNECTOR	2	I-PEX P/N : 20634-130T-02
1	CABLE	30	UL10231 AWG40 MCX (Z=50ohm)

ITEM	DESCRIPTION	QTY	REMARK
------	-------------	-----	--------

Title

P/N: FAW-1233-XX

Date

21 Aug.2018

X-ON Electronics

Largest Supplier of Electrical and Electronic Components

Click to view similar products for [Computer Cables](#) category:

Click to view products by [Leopard Imaging](#) manufacturer:

Other Similar products are found below :

[68809-0004](#) [8F36-AAA105-1.00](#) [IB63](#) [CB-716EB-RS](#) [CB-716P8P9-RS](#) [CBK-11-290K-00](#) [ACL-10550](#) [ACL-10568-2](#) [ACL-10568-5](#)
[427522400-3](#) [32102-021500-200-RS](#) [426091300-3](#) [48000023](#) [10114976-P015002LF](#) [88761-6101](#) [NT631C-CN321-EU](#) [ACL-10568NF-1](#)
[MIKROE-2092](#) [PCL-101100R-2E](#) [1700009405](#) [PS/2 Cable](#) [NT31C-CN323-EU](#) [FWAX-PK1-51](#) [PCL-10168H-1E](#) [68801-1905](#) [111068-1015](#)
[100436-1107](#) [68801-0630](#) [68801-3612](#) [68801-3618](#) [205058-1002](#) [PS2NK](#) [SATA cable](#) [96021-0000-00-0](#) [FAK-SMZSMZ 5M](#) [FAK-](#)
[SMZSMZ-3M](#) [ACC-500-200-R](#) [iW-C40-PCIe08-C1](#) [1700001531](#) [96048-0000-00-0](#) [SATA III cable 30cm, down/straight](#) [cab-Pico-ITX-](#)
[LVDS](#) [PCL-101100SB-2E](#) [AXXSTCBLQAT](#) [NT31C-KBA05](#) [PCL-101100M-2E](#) [A2U4PSWCXCXK1](#) [2 port SATA to 5 pin,L=200mm](#)
[ACL-10568NF-2](#) [C-PS2WG/5](#)