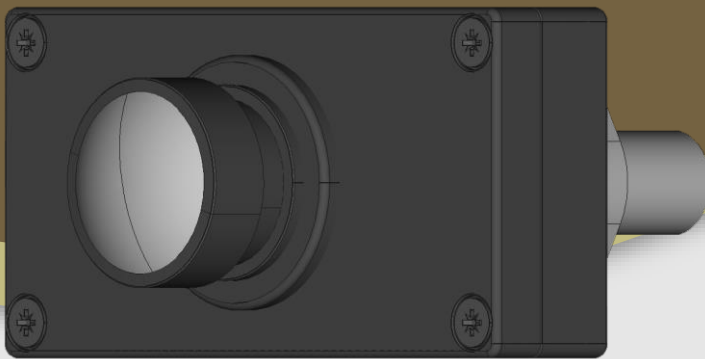




# LI-AR0234CS-GMSL2-OWL



**Address:**

48820 Kato Road  
Suite 100B  
Fremont, CA 94538  
USA



**Phone:**

+1 (408)263-0988

**Fax:**

+1 (408)217-1960



**Sales:**

[sales@leopardimaging.com](mailto:sales@leopardimaging.com)

**Support:**

[support@leopardimaging.com](mailto:support@leopardimaging.com)

## INTRODUCTION

The LI-AR0234CS-GMSL2-OWL is equipped with ON Semiconductor CMOS digital image sensor AR0234CS, capable of producing clear, low noise images in both low-light and bright scenes. This camera outputs 1920 x 1200 RAW data.

## SPECIFICATIONS

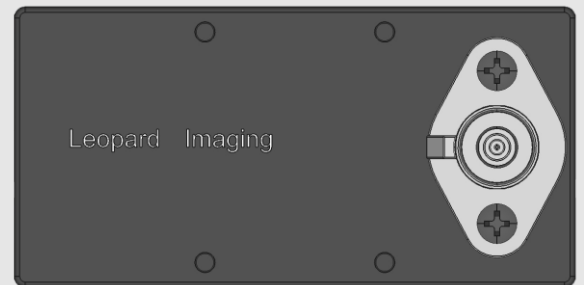
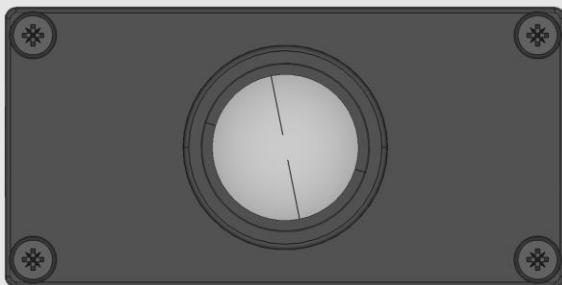
Sensor	ON Semiconductor CMOS Image Sensor AR0234CS
Optical Format	1/2.6"
Resolution	1920 (H) x 1200 (V) (active pixels)
Pixel Size	3.0 x 3.0 $\mu$ m
Color / Mono	Color sensor
Frame Rate	120 fps @ full resolution
Shutter	Global shutter
Serializer	Maxim MAX9295A/B
Power Supply Range	9 ~ 19 VDC
FAKRA Connector	FAKRA Z TYPE
Power Consumption	70 mA @ 12 VDC
Operating Temp	-20°C ~ 50°C
Storage Temp	-20°C ~ 105°C
Weight	~ 37.2 g
Size	50.0 (L) x 25.0 (W) x 37.7 (D) mm
Part#	LI-AR0234CS-GMSL2-OWL

## APPLICATIONS

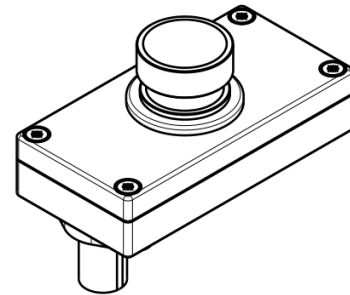
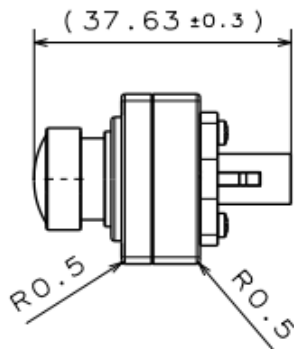
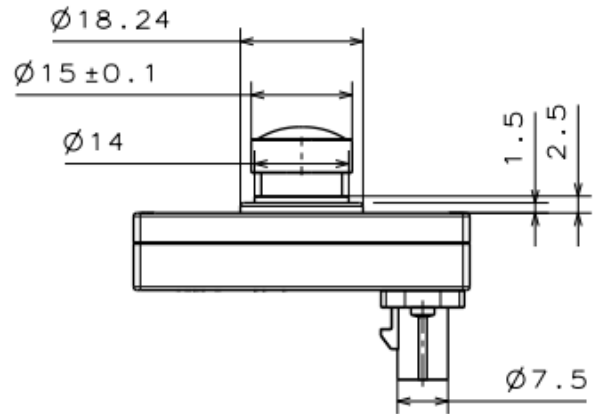
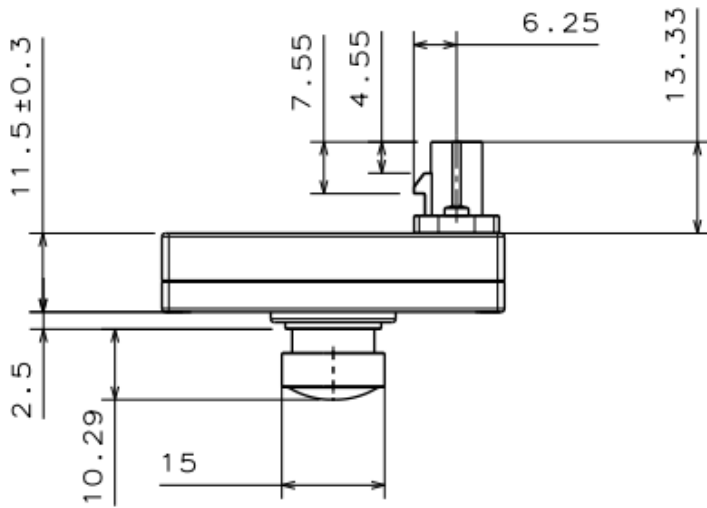
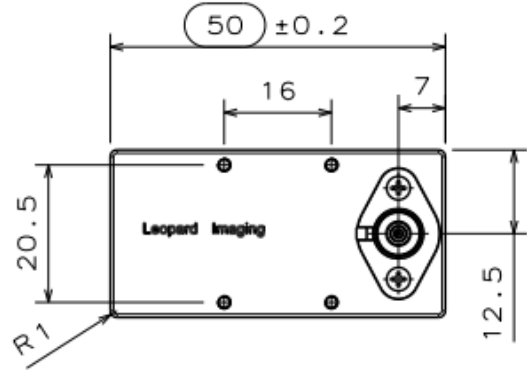
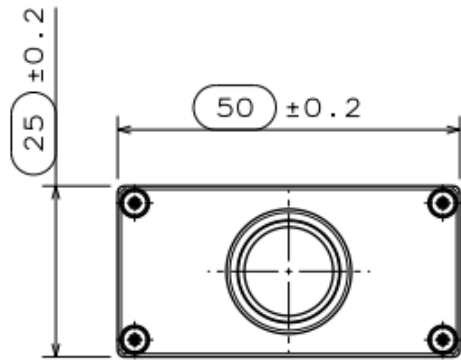
- Bar Code Scanner
- Gesture Recognition
- 3D Scanning
- Positional Tracking
- Iris Scanning
- Augmented Reality
- Virtual Reality
- Biometrics
- Machine Vision

## LENS SPECIFICATIONS

Focal Length	1.34 $\pm$ 5%
Aperture, F/#	2.0 $\pm$ 5%
Field of View (FOV)	202.0° $\pm$ 3° horizontal
	127.2° $\pm$ 2° vertical
IR Filter	650 nm $\pm$ 10 nm IR cut filter
Lens Mount	M12 x 0.5



# DIMENSIONS

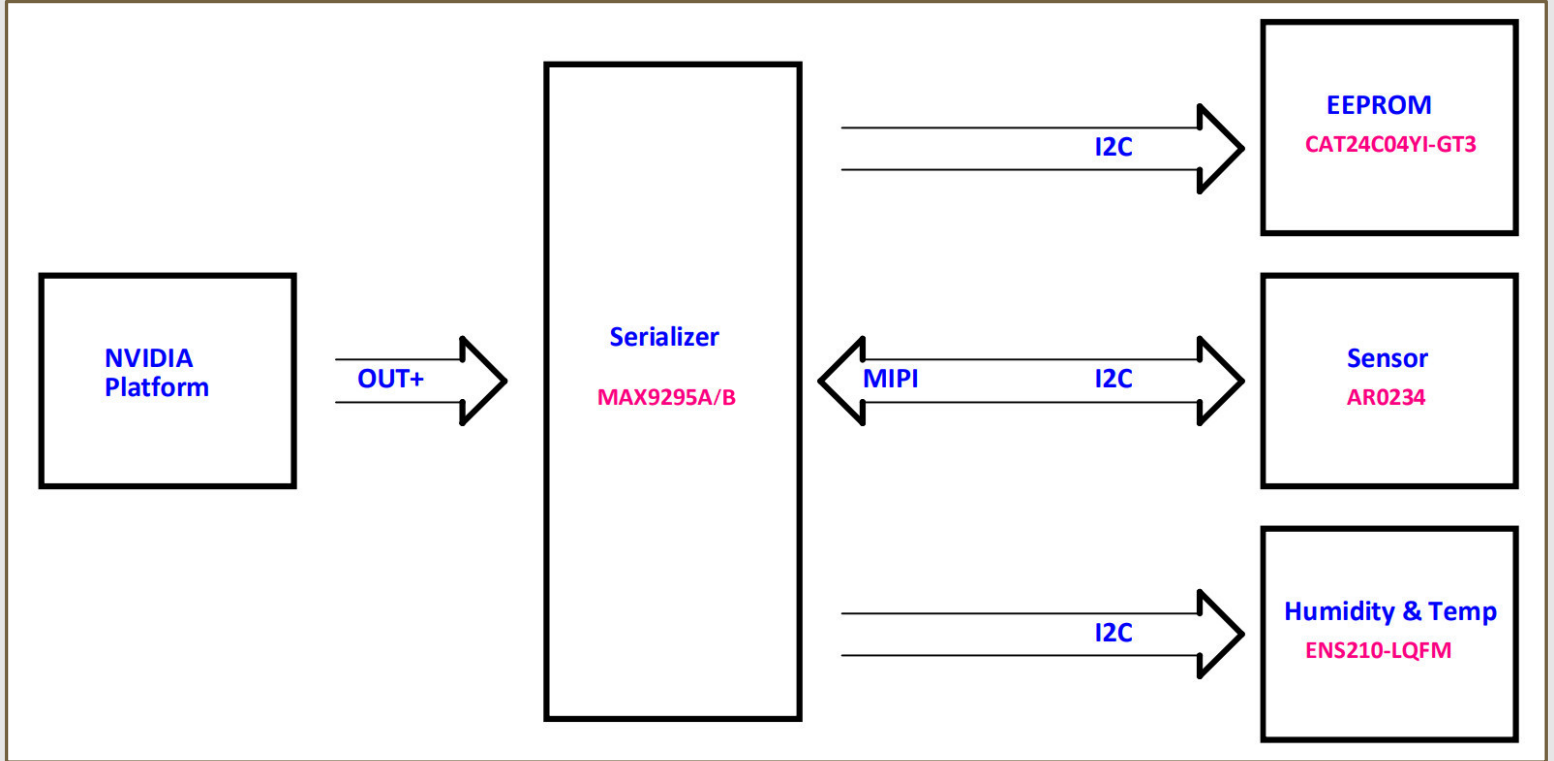


Note:

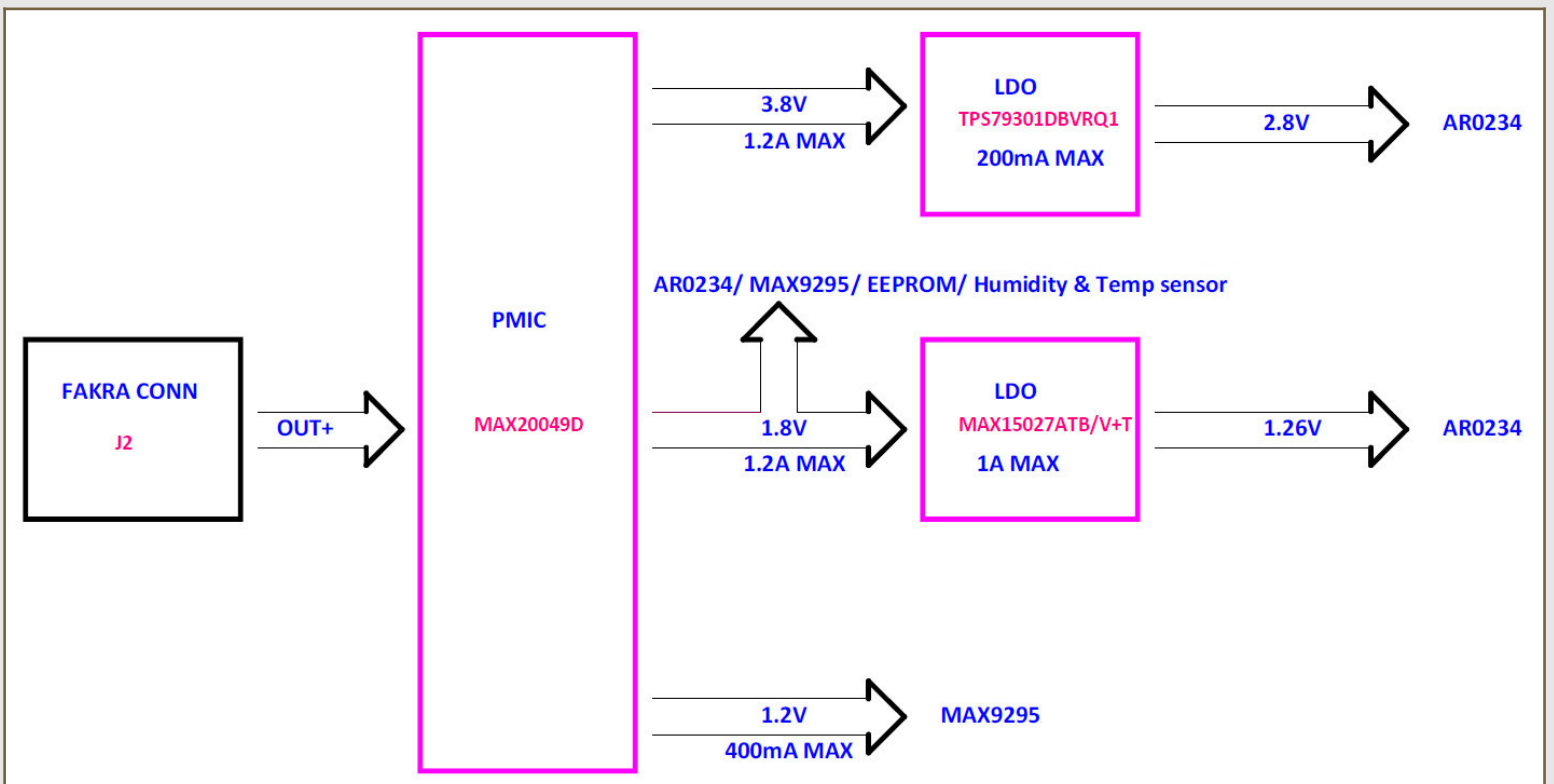
- $\square$  marked are important sizes.
- Tolerance for others unmarked is  $\pm 0.3$  mm.

Unit: mm

## SYSTEM BLOCK DIAGRAM



## POWER BLOCK DIAGRAM



# USB3.0 CAMERA KIT

LI-USB30-DESER-GMSL2



Top View



Bottom View

LI-AR0234CS-GMSL2-OWL can connect to LI-USB30-DESER-GMSL2 as a USB 3.0 camera.

Part#: LI-USB30-AR0234CS-GMSL2-OWL

## SPECIFICATIONS

- USB 3.0 Super Speed support
- UVC compliance
- Global shutter
- Provide customization services
- 12 VDC power supply for camera
- Weight: ~ 104 g
- Single Coax Cable transmit up to 12 meters PoC (Power over Cable)
- Resolution: 1920 x 1200 @ 30 fps
- Support Windows, Linux OS and other OS which include the UVC drivers

## BOM

#	Items	QTY
1	LI-AR0234CS-GMSL2-OWL	1
2	LI-USB30-DESER-GMSL2	1
3	3-Meter Fakra Cable	1
4	12 VDC Power Supply	1
5	USB3.0 Cable	1



## SDK SUPPORTED

- Camera Tool Source Code in C#
- Capture & Display
- Register Access Function

## ● REVISION HISTORY

Revision	Description	Release date
1.0	First release.	20 May 2021

48820 Kato Rd, Suite 100B, Fremont, CA 94538, USA

Phone: +1-408-263-0988

Fax: +1-408-217-1960

Email: [sales@leopardimaging.com](mailto:sales@leopardimaging.com)

Website: [www.leopardimaging.com](http://www.leopardimaging.com)



## X-ON Electronics

Largest Supplier of Electrical and Electronic Components

*Click to view similar products for [Cameras & Camera Modules](#) category:*

*Click to view products by [Leopard Imaging](#) manufacturer:*

Other Similar products are found below :

[73-540-420I](#) [82635DSASRPRQ 951913](#) [Web Camera module 5.0M pixel FIT0729](#) [LI-USB30-OX05B1S-VCSEL-OMS-96717-200H](#) [LI-AR1335C-MIPI-097H](#) [108674](#) [LI-USB30-IMX490-GMSL2-120H](#) [LI-USB30-OV2312-GMSL2-110H](#) [LI-IMX675-MIPI-076H](#) [82635DSD456](#) [LI-IMX424-GW5400-FPDLINKIII-120H](#) [LI-AR0234CS-GMSL2-OWL](#) [5390](#) [5389](#) [106681](#) [106752](#) [107654](#) [107402](#) [1202](#) [1203](#) [AC164150](#) [2392](#) [106695](#) [106988](#) [107139](#) [107146](#) [MIPI 5MP IR AF Camera](#) [106732](#) [LI-USB30-AR023ZWDR](#) [LI-USB30-OV13850](#) [LI-OV580-STEREO](#) [LI-OV2640-USB-M6](#) [LI-OV5640-MIPI-AF-NIR](#) [82635DSASMDLPRQ](#) [106692](#) [106687](#) [106493](#) [106688](#) [106682](#) [107115](#) [106694](#) [106989](#) [107149](#) [106693](#) [106696](#) [106684](#) [106683](#) [107140](#) [106982](#)