



LEOPARD IMAGING INC

# LI-AR0820-GMSL2-xxxH

## Data Sheet

### Key Features

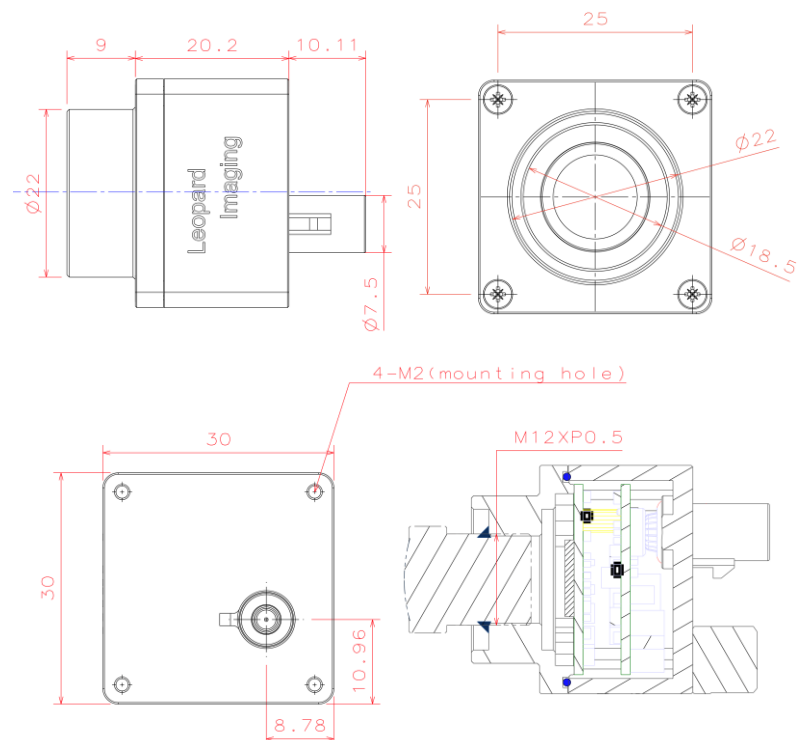
- ON SEMI AR0820 8.3M CMOS RCCB Sensor
- Optical format: 1/2"
- Maximum resolution: 3840H x 2160V
- Pixel size: 2.1 um x 2.1 um
- Output 12 bit Raw data
- Support 12V Power
- Lens: H 60 / 110
- GMSL2 Serializer
- Connector: FAKRA Z TYPE
- Water proof: IP67
- Operation Temp: -40 ~ 85 °C
- Storage Temp: -40 ~ 125 °C
- Size: 30 x 30 x 29.2 mm
- Weight: 45 g
- Part#: **LI-AR0820-GMSL2-xxxH**



### Application

- High Performance ADAS (Automotive Driver Assistant System)
- Autonomous Driving

### Dimensions

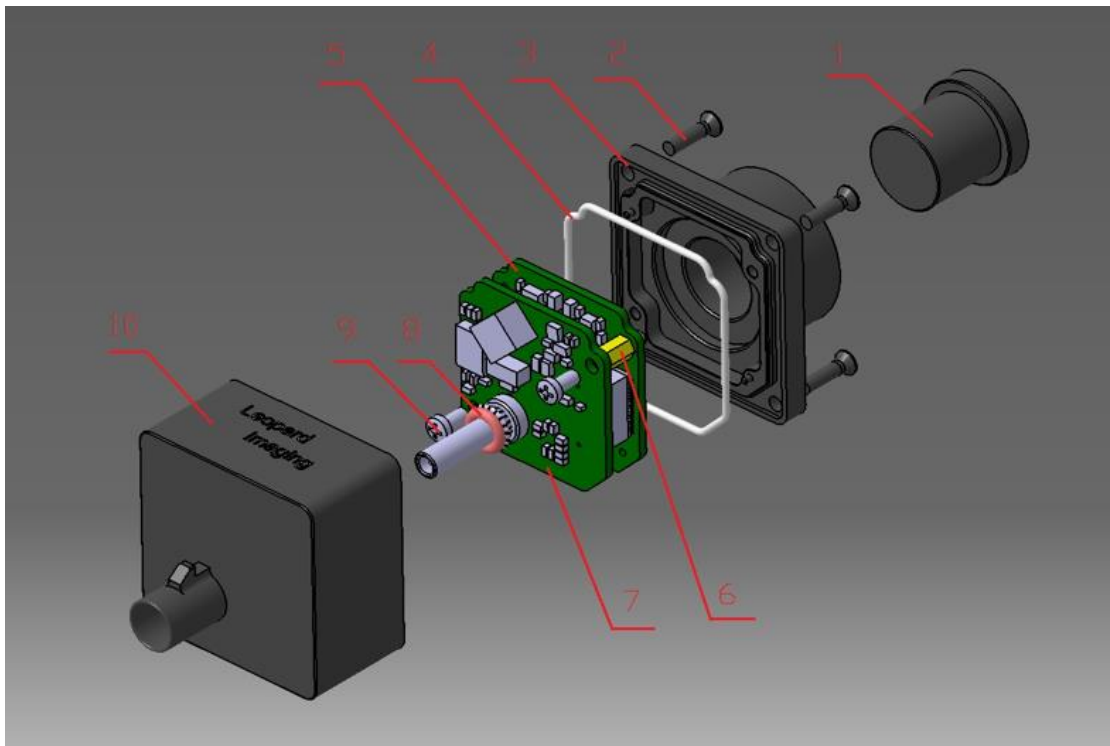


Leopard Imaging Inc.

48820 Kato Rd, Suite 100B, Fremont, CA 94538, USA  
Phone: +1-408-263-0988  
Fax: +1-408-217-1960  
Email: sales@leopardimaging.com  
Website: www.leopardimaging.com

# BOM

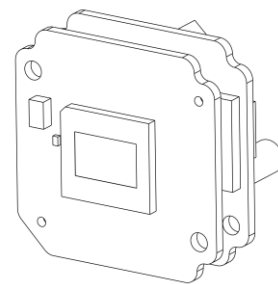
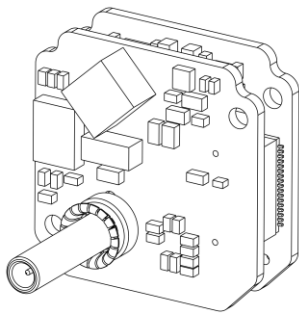
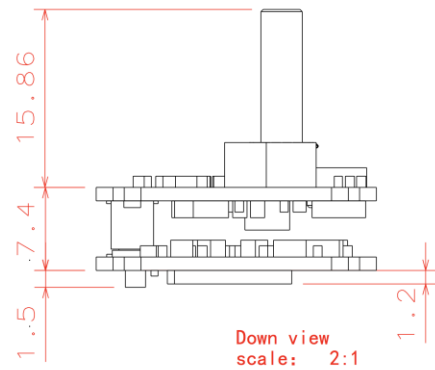
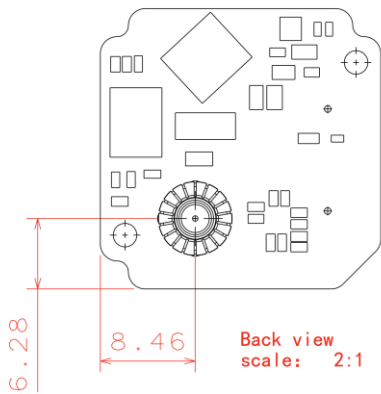
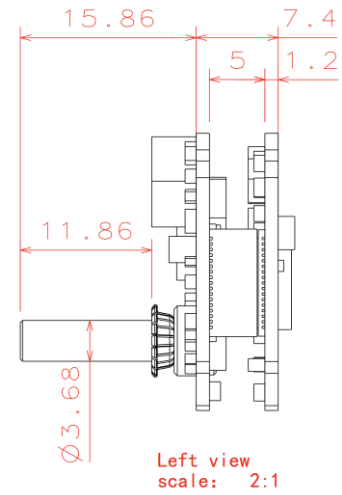
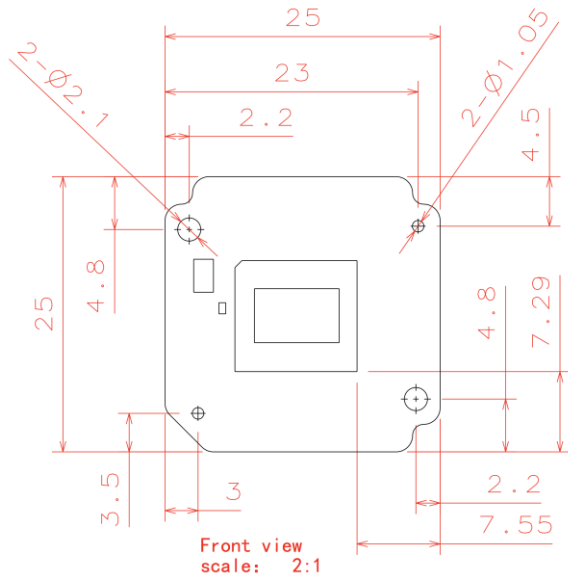
#	Name	SPEC	QTY/SET
1	Lens	M12 lens	1
2	Screw	M2*8 cross flat head black ZINC	4
3	Shell 2	AL6061-T6 BLACK Anodizing	1
4	Sealing ring	Silicon rubber, White	1
5	LI-AR0820-MIPI	AR0820 sensor board	1
6	Copper pillar	M2*5+3	2
7	LI-GMSL2-FKR	GMSL2 board	1
8	O ring	6.5*1.5 Silicon rubber Red	1
9	Screw	M2*4 cross pan head black ZINC	2
10	Shell 1	AL6061-T6 BLACK Anodizing	1



Leopard Imaging Inc.

48820 Kato Rd, Suite 100B, Fremont, CA 94538, USA  
 Phone: +1-408-263-0988  
 Fax: +1-408-217-1960  
 Email: sales@leopardimaging.com  
 Website: www.leopardimaging.com

# Camera boards Dimensions



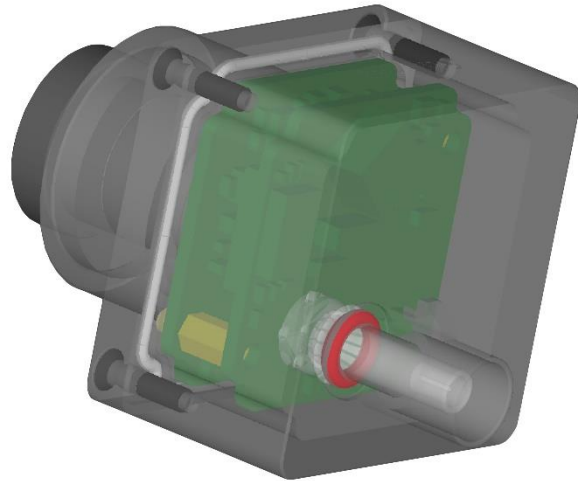
Leopard Imaging Inc.

48820 Kato Rd, Suite 100B, Fremont, CA 94538, USA  
 Phone: +1-408-263-0988  
 Fax: +1-408-217-1960  
 Email: sales@leopardimaging.com  
 Website: www.leopardimaging.com

## Water Proof

- Metal Housing
- Water-proof M12 lens
- Sealed Gasket (White)
- Sealed O-ring (Red)

Note: The lens must be glued for water-proof.



## Cable Connector

- Housing Connector- FAKRA Z Type
- Cable length: 3 meters  
Support single Coax Cable transmit up to 12 meters
- Cable Part#: FAK-SMZSMZ-3M
- FAKRA type connectors



Leopard Imaging Inc.

48820 Kato Rd, Suite 100B, Fremont, CA 94538, USA  
Phone: +1-408-263-0988  
Fax: +1-408-217-1960  
Email: [sales@leopardimaging.com](mailto:sales@leopardimaging.com)  
Website: [www.leopardimaging.com](http://www.leopardimaging.com)

## Ordering Information

**Part#: LI-AR0820-GMSL2-xxxH**

Note:

xxxH - 060H: FOV H 60°  
 110H: FOV H 110°

LI-AR0820-GMSL2-060H	LI-AR0820-GMSL2-110H
	
<p>Lens: DSL163            Lens EFL: 7.87 mm            F/#: 1.8            FOV(D): 68°            FOV(H): 59°            FOV(V): 32.2°            Water-proof: IP67</p>	<p>Lens: CAR-53            Lens EFL: 4.47 mm            F/#: 1.6            FOV(D): 125.8°            FOV(H): 109.6°            FOV(V): 54.8°            Water-proof: IP67</p>



Leopard Imaging Inc.

48820 Kato Rd, Suite 100B, Fremont, CA 94538, USA  
 Phone: +1-408-263-0988  
 Fax: +1-408-217-1960  
 Email: sales@leopardimaging.com  
 Website: www.leopardimaging.com

## LI-GMSL2-DESER



Front View

## LI-USB30-CNTL



Back View

LI-AR0820-GMSL2 can connect to USB 3.0 EVA module as a USB 3.0 camera.

Part#: **LI-USB30-AR0820-GMSL2-xxxH**

### Key Features

- USB 3.0 Super Speed support
- RAW data output without compression
- UVC compliance
- Provide customization services
- 12VDC Power Supply
- Weight: 86 g
- Single Coax Cable transmit up to 12 meter PoC(Power over Cable)
- Support 3848x2168@3fps
- Power consumption: Approx. 80 mA at 12VDC
- Support Windows, Linux OS and other OS which include UVC drivers

### SDK Supported

- Camera Tool Source Code in C#
- Capture & Display
- Save file as BMP & RAW format



## Revision History

Revision	Description	Release Date
1.0	First Release	11. Jan. 2018
1.1	Update lens information	22. Aug. 2018
1.2	Update the 110H lens to CAR-53	29. Apr. 2019
1.3	Update the 060H lens to DSL163	8. Jul. 2020



Leopard Imaging Inc.

48820 Kato Rd, Suite 100B, Fremont, CA 94538, USA  
Phone: +1-408-263-0988  
Fax: +1-408-217-1960  
Email: [sales@leopardimaging.com](mailto:sales@leopardimaging.com)  
Website: [www.leopardimaging.com](http://www.leopardimaging.com)



## X-ON Electronics

Largest Supplier of Electrical and Electronic Components

*Click to view similar products for [Cameras & Camera Modules](#) category:*

*Click to view products by [Leopard Imaging](#) manufacturer:*

Other Similar products are found below :

[FH-SC](#) [CAMOV5645](#) [73-540-420I](#) [Web Camera module 5.0M pixel](#) [LI-IMX424-GMSL2-070H](#) [73-951-0046](#) [73-954-0001T](#) [73-961-0005](#)  
[1202](#) [1203](#) [73-961-0003](#) [73-961-0012](#) [107139](#) [106983](#) [107115](#) [107149](#) [107142](#) [82535IVCHVM](#) [107140](#) [107113](#) [107112](#) [107141](#) [107147](#)  
[107148](#) [107110](#) [107150](#) [107145](#) [107111](#) [OKY3553](#) [10299](#) [10300](#) [11388](#) [613](#) [EP-DCINTELD-415](#) [1386](#) [4321](#) [4561](#) [43203](#) [104002](#)  
[105716](#) [105993](#) [107206](#) [107645](#) [107646](#) [107655](#) [108010](#) [108172](#) [108173](#) [CLEO-CAM1](#) [107114](#)