



LEOPARD IMAGING INC

Rev. 1.2

LI-USB30-MIPI-TESTER

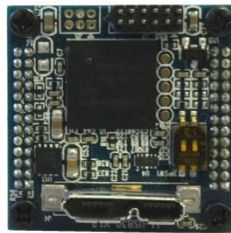
Data Sheet

Key Features

- USB 3.0 Super Speed support
- UVC compliance
- 3 MIPI interfaces
- Provide customization services
- USB +5VDC powered device
- Compact Size: 26mmx26mmx19mm
- 2 Boards are stacked
- Weight: 10 g
- Part#: **LI-USB30-MIPI-TESTER**



MIPI Interfaces

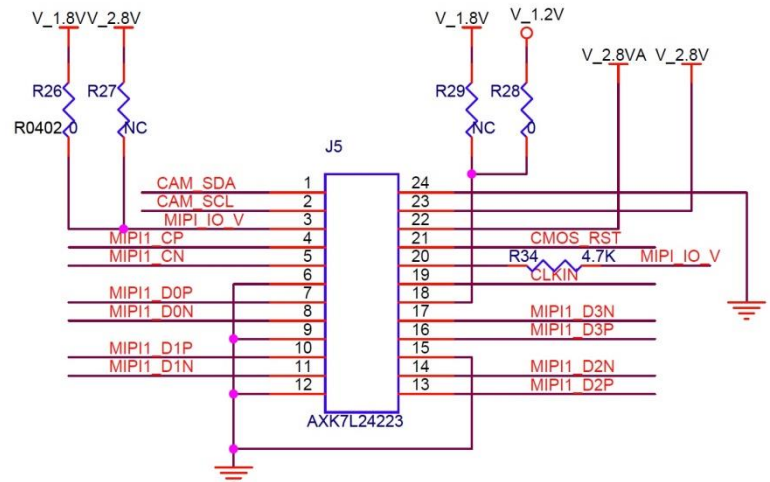


Interface J5

- Part#: AXK7L24223
- Number of Positions: 24
- Pitch: 0.4 mm

SDK Supported

- Camera Tool Source Code in C#
- Capture & Display
- OpenCV supported through Emgu
- RAW to RGB Conversion
- Save file as BMP & RAW format

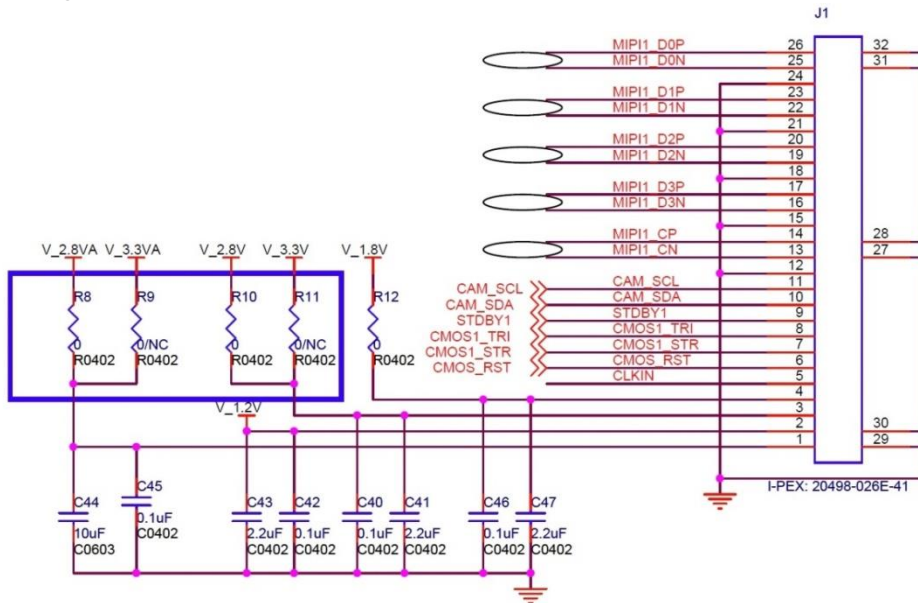


Leopard Imaging Inc.

1130 Cadillac Ct., Milpitas, CA 95035, USA
 Phone: +1-408-263-0988
 Fax: +1-408-217-1960
 Email: sales@leopardimaging.com
 Website: www.leopardimaging.com
 www.leopard-security.com

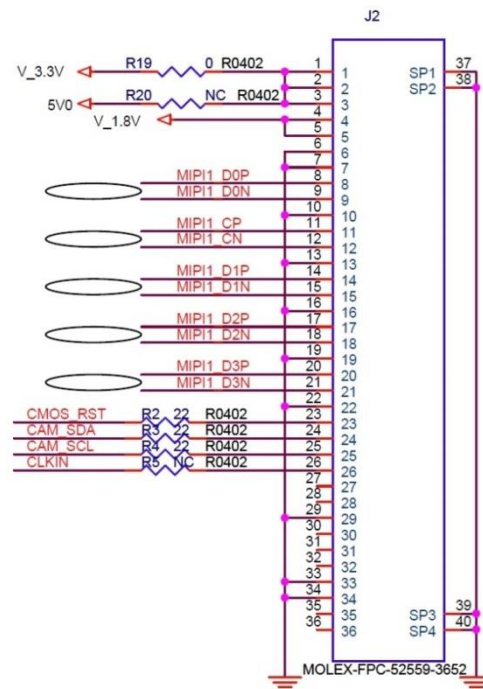
Interface J1

- Part#: 20498-026E-41
- Number of Positions: 26
- Shell Plating: Sn
- Vacuum Clip: With
- Mating I-PEX cable: LI-FAW-1212-T1 (200mm)



Interface J2

- Part#: 0525593652
- Number of Positions: 36
- Pitch: 0.020" (0.50mm)
- FFC, FCB Thickness: 0.30mm
- Mating Flex cable: LI-FLEX03 (60mm)



Leopard Imaging Inc.

1130 Cadillac Ct., Milpitas, CA 95035, USA
 Phone: +1-408-263-0988
 Fax: +1-408-217-1960
 Email: sales@leopardimaging.com
 Website: www.leopardimaging.com
 www.leopard-security.com

Interface J5

J5 of LI-USB30-MIPI-TESTER supports below modules:

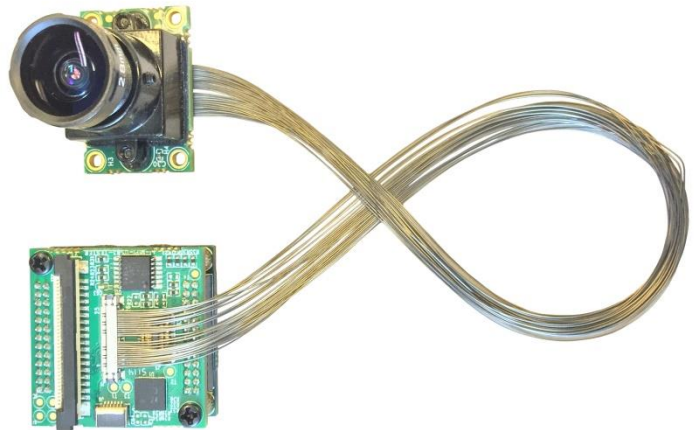
1. LI-OV8865-MIPI-AF
2. LI-OV13850-MIPI-AF
3. LI-OV2685-MIPI-AF



Interface J1

J1 of LI-USB30-MIPI-TESTER supports below modules:

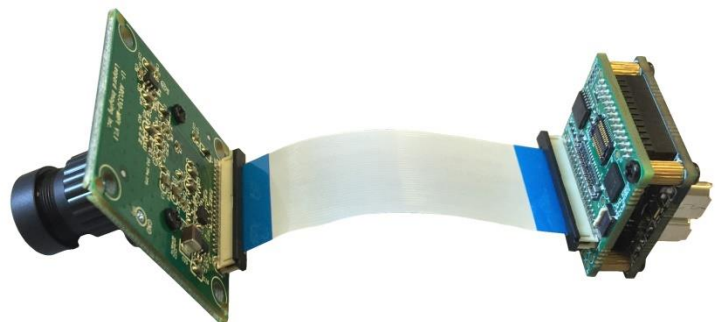
1. LI-OV4689-MIPI
2. LI-V024M-MIPI
3. LI-M021C-MIPI
4. LI-M021M-MIPI



Interface J2

J2 of LI-USB30-MIPI-TESTER supports below modules:

1. LI-CAM-AR0330-MIPI
2. LI-CAM-IMX224-MIPI
3. LI-CAM-OV10640-MIPI



X-ON Electronics

Largest Supplier of Electrical and Electronic Components

Click to view similar products for [Specialised Cables category](#):

Click to view products by [Leopard Imaging manufacturer](#):

Other Similar products are found below :

[603PT6](#) [603SS6L](#) [604PT6](#) [604SS6](#) [706000D02F200](#) [910640](#) [1200740077](#) [1200740114](#) [AC172](#) [ACL-SSI-4](#) [R88ACAKA0015SRE](#)
[R88ACAWL005SDE](#) [R88ACRGD0R3C](#) [1300150047](#) [1300660036](#) [1302262116](#) [1300150149](#) [1300220020](#) [1300220104](#) [1300220119](#)
[1301240492](#) [1301810221](#) [1365323-1](#) [176P12](#) [1971465-2](#) [20240400003](#) [20240400013](#) [2085828-1](#) [20886510030](#) [2-22733-8](#) [22733-8](#) [CB-](#)
[5PSBC-RS](#) [CB-704EC-RS](#) [CB-BATACC-RS](#) [CB-JST3PSW-RS](#) [CB-M12COM-R10](#) [25AC84](#) [25AK84X](#) [25AU25](#) [25FN82](#) [3011-03](#) [AC118](#)
[ACL-HHS-1M\(CAT5E\)](#) [SSL009PC2DC012N](#) [FC2A-KC6C](#) [2085828-2](#) [20886510150](#) [CCS-FCB-5](#) [CCSF CBF2](#) [R88A-CRWB020N](#)