

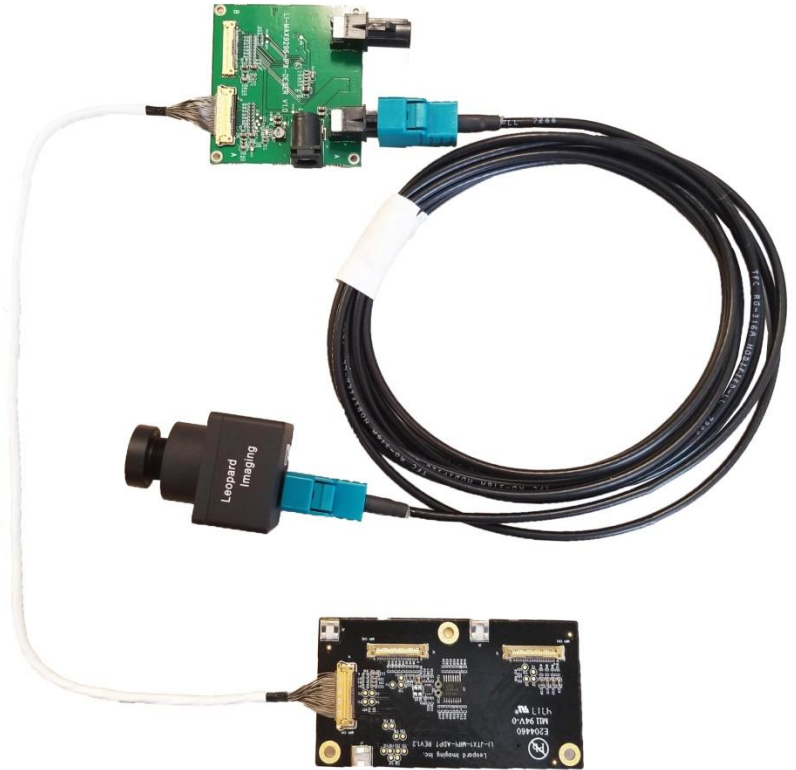


LEOPARD IMAGING INC

# LI-JEVA-IMX390-GMSL2-xxxH Data Sheet

## Key Features

- Compatible with Nvidia Jetson TX1/TX2 Developer Kit
- Support one GMSL2 camera
- Sony Diagonal 6.67mm (Type 1/2.7) CMOS RGG B Image Sensor IMX390
- Active pixels: 1937H x 1217V
- Pixel size: 3.0 um x 3.0 um
- Color camera
- Lens: FOV H 60 / 120 / 200
- GMSL2 Serializer
- Includes De-serializer to convert serial interface to MIPI interface
- Length of Fakra cable: 3 meters
- Support multiple length Fakra cables
- Length of the I-PEX cable: 300mm
- Support M12 lens
- Provide customization services
- Part#: **LI-JEVA-IMX390-GMSL2-xxxH**



## Application

- Automotive ADAS
- 1080p video applications

## BOM

Nvidia TX1/TX2 Developer Kit not included

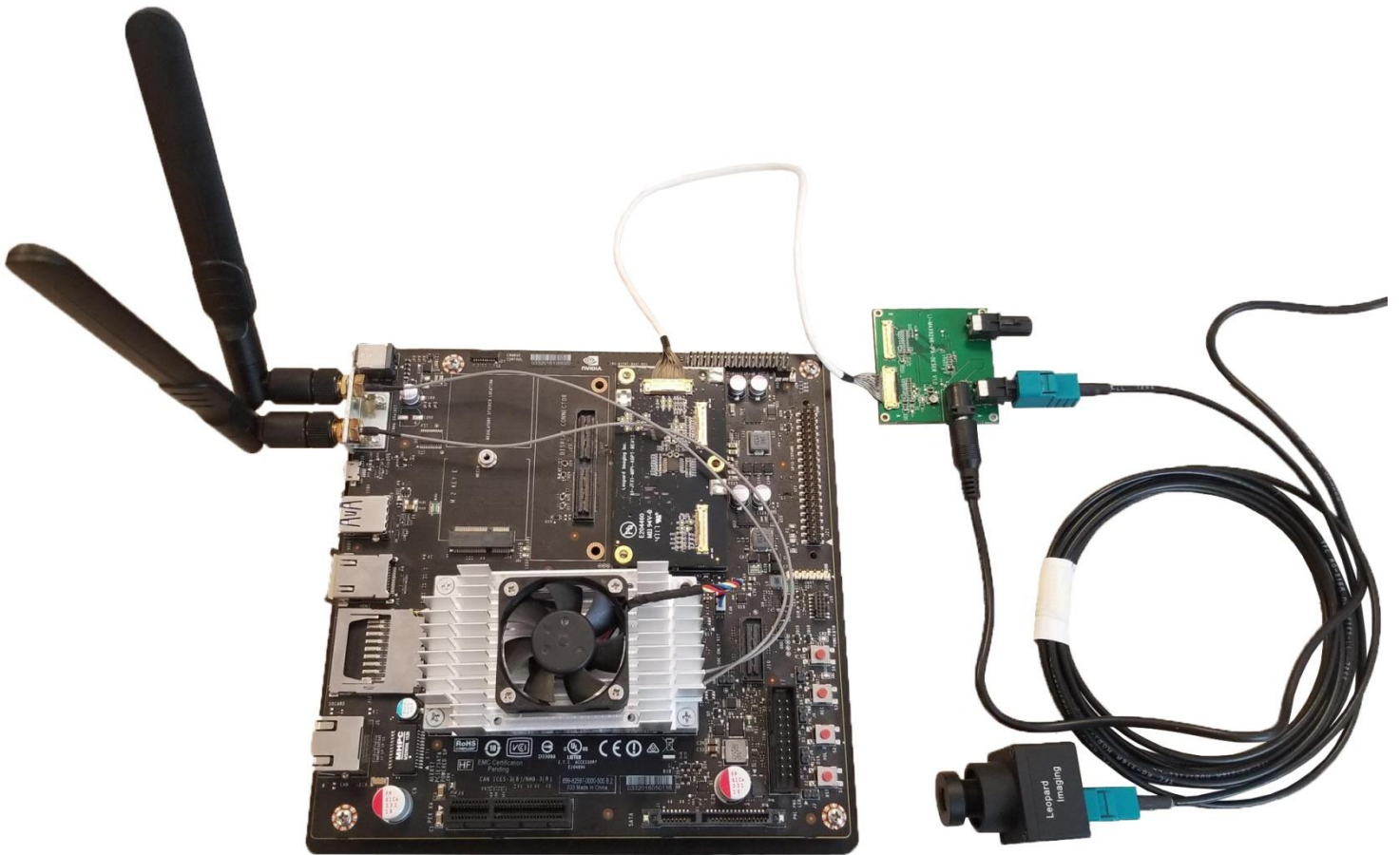
#	Items	QTY
1	LI-IMX390-GMSL2-xxxH	1
2	FAK-SMZSMZ 3M	1
3	LI-GMSL2-IPX-DESER	1
4	FAW-1233-03 cable	1
5	LI-JTX1-MIPI-ADPT	1
6	LI-PS12-01	1



Leopard Imaging Inc.

48820 Kato Rd, Suite 100B, Fremont, CA 94538, USA  
 Phone: +1-408-263-0988  
 Fax: +1-408-217-1960  
 Email:sales@leopardimaging.com  
 Website: www.leopardimaging.com

## Compatible with Nvidia Jetson TX1/TX2 Developer Kit

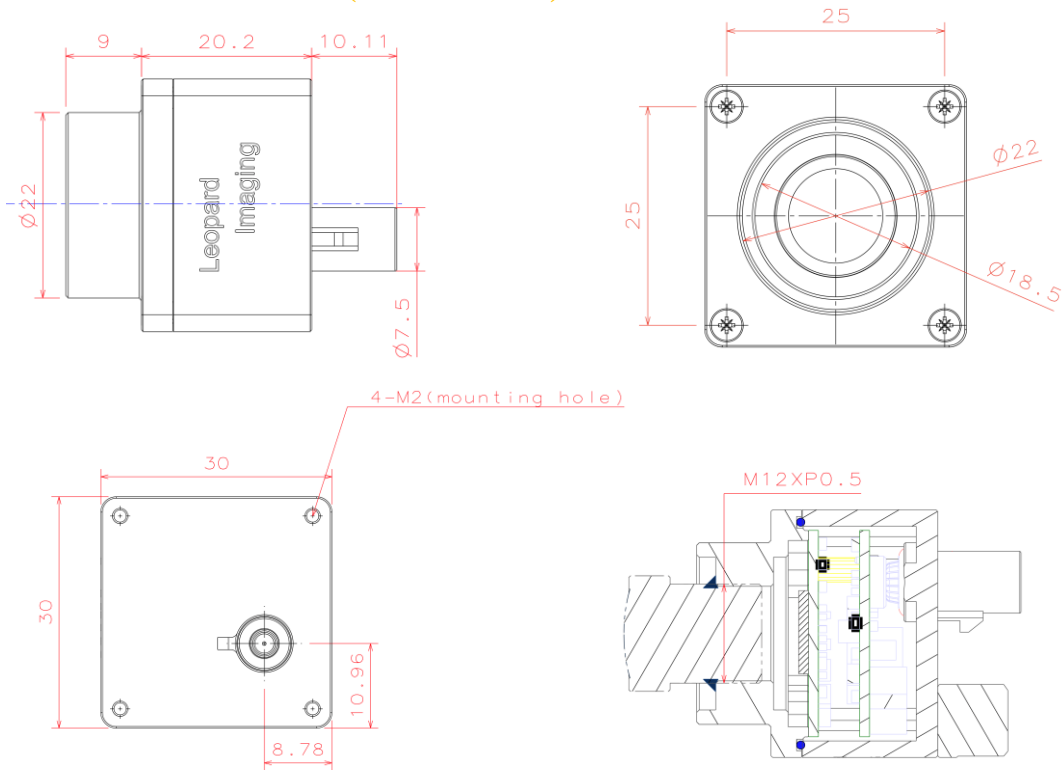


Leopard Imaging Inc.

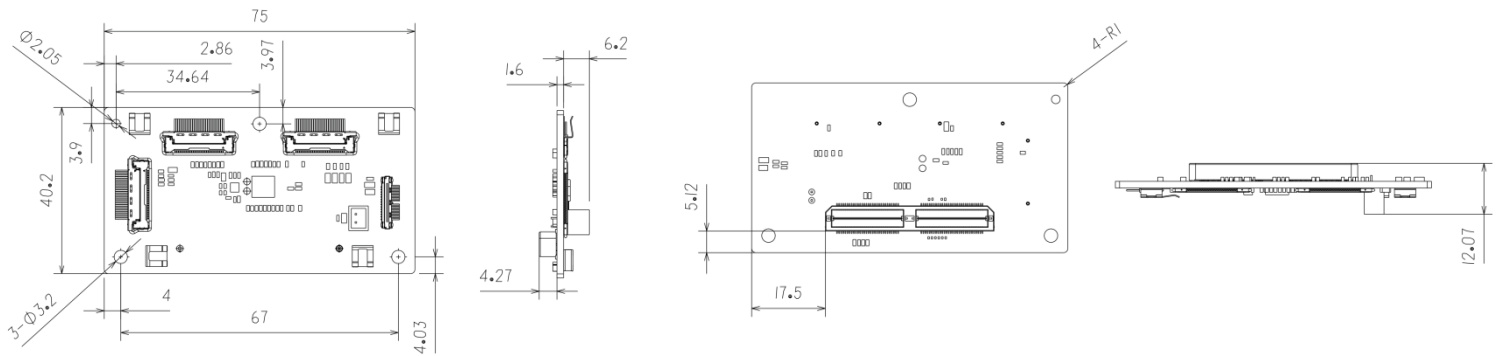
48820 Kato Rd, Suite 100B, Fremont, CA 94538, USA  
Phone: +1-408-263-0988  
Fax: +1-408-217-1960  
Email: sales@leopardimaging.com  
Website: www.leopardimaging.com

# Dimensions

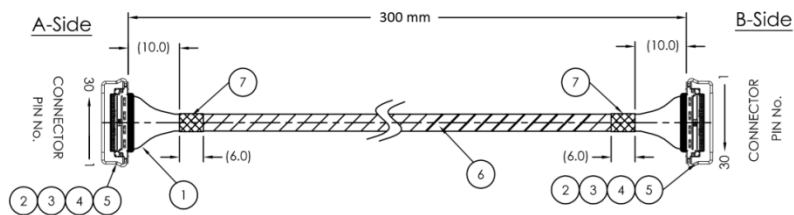
## LI-IMX390-GMSL2-xxxH (without lens)



## LI-JTX1-MIPI-ADPT

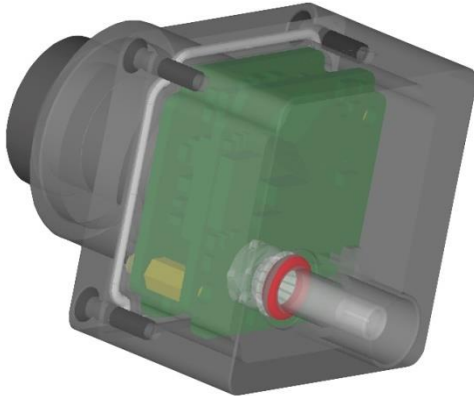



## FAW-1233-03



Leopard Imaging Inc.

48820 Kato Rd, Suite 100B, Fremont, CA 94538, USA  
 Phone: +1-408-263-0988  
 Fax: +1-408-217-1960  
 Email: sales@leopardimaging.com  
 Website: www.leopardimaging.com

Camera Spec	
Image Sensor	Sony Diagonal 6.67mm (Type 1/2.7) CMOS RGGB Image Sensor IMX390
Optical format	1/2.7"
Number of active pixels	1937 (H) x 1217 (V)
Pixel size	3.0um (H) x 3.0um (V)
Color or Mono	Color
Interface	GMSL2 Serial interface
Lens mount	M12
Weight	45 g
Operating Temp	-40 ~ 85 °C
Water proof : IP67 Lens must be glued	
<ul style="list-style-type: none"><li>▪ Metal Housing</li><li>▪ Water-proof M12 lens</li><li>▪ Sealed Gasket (White)</li><li>▪ Sealed O-ring (Red)</li></ul>	
Cable Connector	
<ul style="list-style-type: none"><li>▪ Housing Connector- FAKRA Z Type</li><li>▪ Cable length: 3 meters Support single Coax Cable transmit up to 12 meters</li><li>▪ Cable Part#: FAK-SMZSMZ-3M FAKRA type connectors</li></ul>	



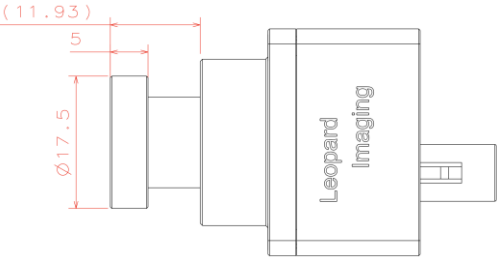
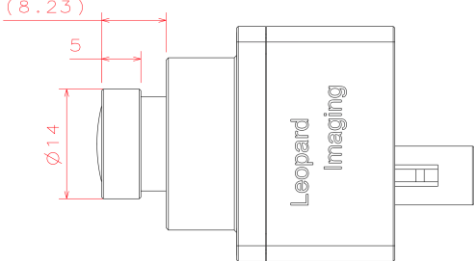
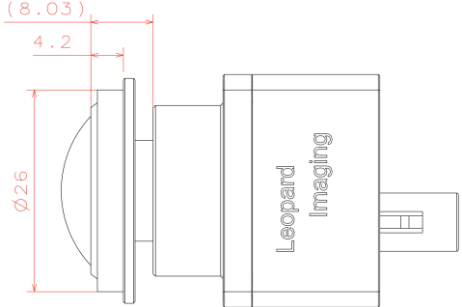


## Lens Information

**Part#: LI-JEVA-IMX390-GMSL2-xxxH**

Note:

xxxH - 060H: FOV H 60°  
 120H: FOV H 120°  
 200H: FOV H 200°

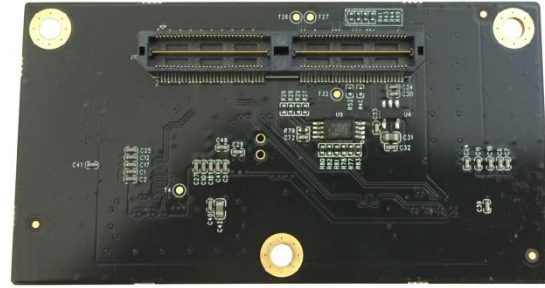
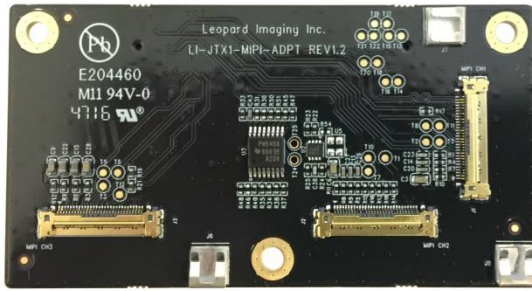
LI-IMX390-GMSL2-060H	LI-IMX390-GMSL2-120H	LI-IMX390-GMSL2-200H
		
<p>Lens: M127B0618W                      Lens EFL: 6.0 mm                      FOV(D): 74.5°                      FOV(H): 60.6°                      FOV(V): 36.1°</p>	<p>Lens: M128B02820WM12R1                      Lens EFL: 2.8 mm                      FOV(D): 148°                      FOV(H): 122°                      FOV(V): 74°</p>	<p>Lens: F132B0108WM12                      Lens EFL: 1.08 mm                      FOV(D): 200°                      FOV(H): 200°                      FOV(V): 200°</p>
		



Leopard Imaging Inc.

48820 Kato Rd, Suite 100B, Fremont, CA 94538, USA  
 Phone: +1-408-263-0988  
 Fax: +1-408-217-1960  
 Email: sales@leopardimaging.com  
 Website: www.leopardimaging.com

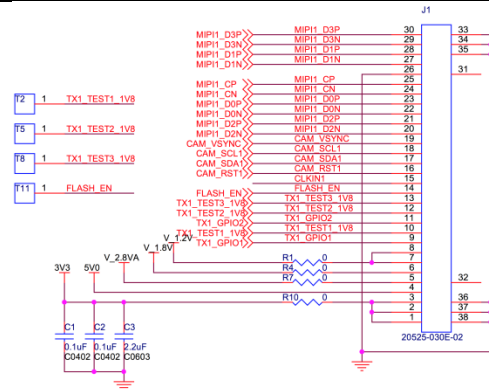
# LI-JTX1-MIPI-ADPT



## Interfaces

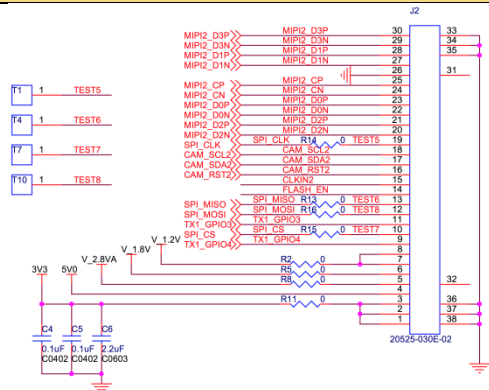
### Interface J1

- Part#: 20525-030E-02C
- Number of Positions: 30
- Pitch: 0.4mm
- Mating I-PEX cable: FAW-1233-03 (300mm)



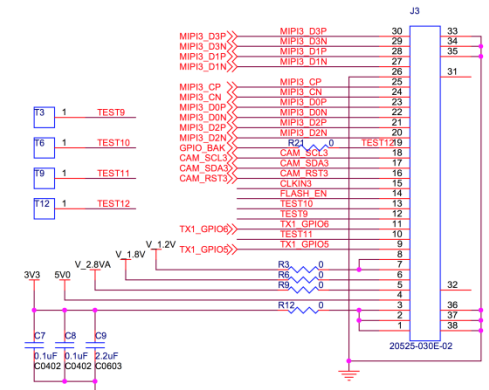
### Interface J2

- Part#: 20525-030E-02C
- Number of Positions: 30
- Pitch: 0.4mm
- Mating I-PEX cable: FAW-1233-03 (300mm)



### Interface J3

- Part#: 20525-030E-02C
- Number of Positions: 30
- Pitch: 0.4mm
- Mating I-PEX cable: FAW-1233-03 (300mm)



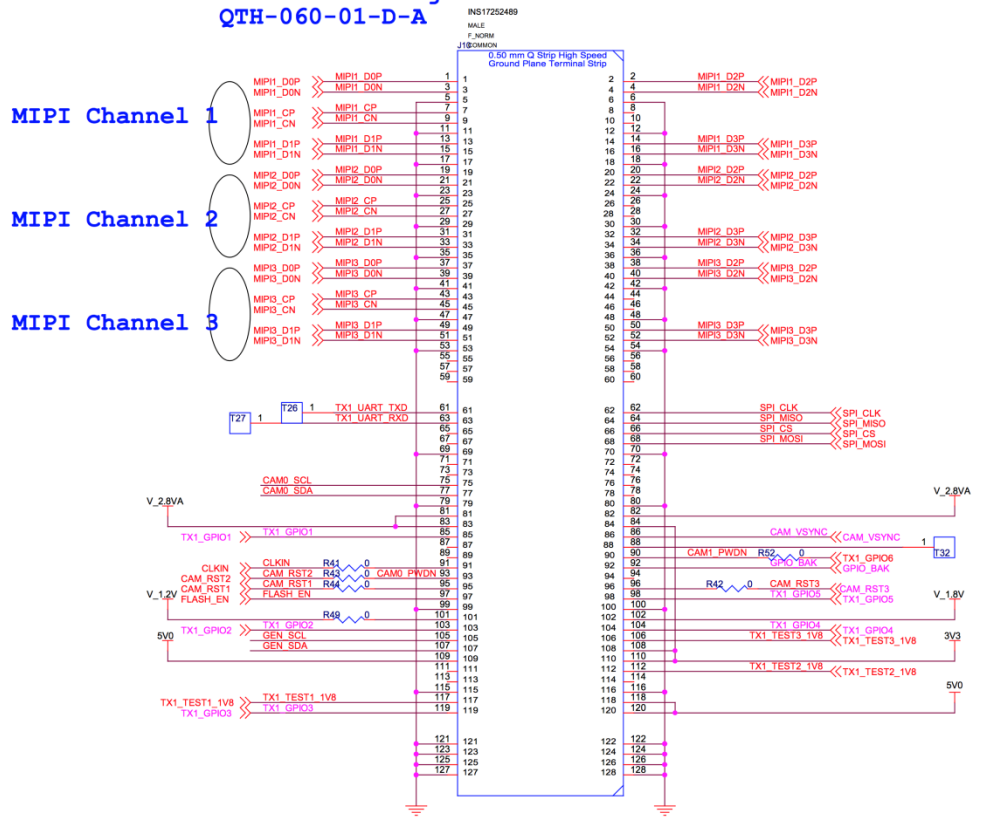
Leopard Imaging Inc.

48820 Kato Rd, Suite 100B, Fremont, CA 94538, USA  
 Phone: +1-408-263-0988  
 Fax: +1-408-217-1960  
 Email: sales@leopardimaging.com  
 Website: www.leopardimaging.com

# Interface J10

- Part#: QTH-060-01-L-D-A
- Number of Positions: 120
- Number of Rows: 2
- Pitch: 0.5 mm

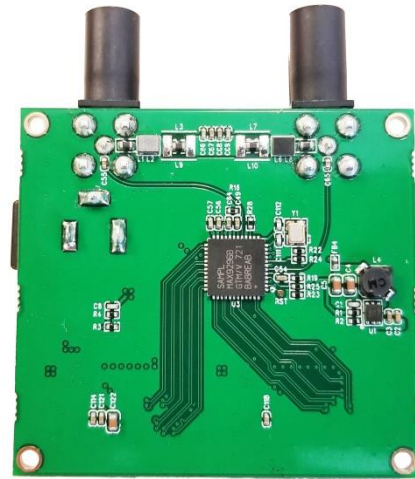
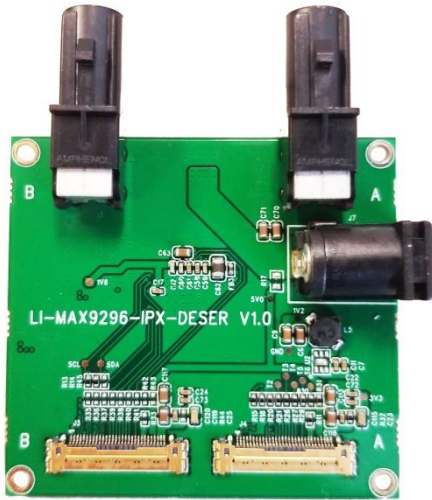
## Vertical Mating connector of Jetson TX1 J22 QTH-060-01-D-A



Leopard Imaging Inc.

48820 Kato Rd, Suite 100B, Fremont, CA 94538, USA  
 Phone: +1-408-263-0988  
 Fax: +1-408-217-1960  
 Email: sales@leopardimaging.com  
 Website: www.leopardimaging.com

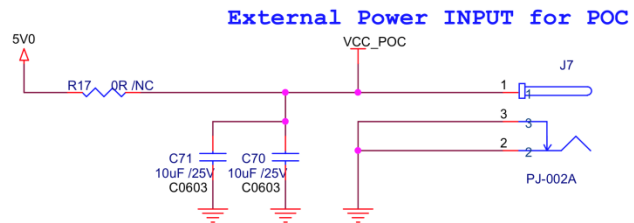
# LI-GMSL2-IPX-DESER



## Interfaces

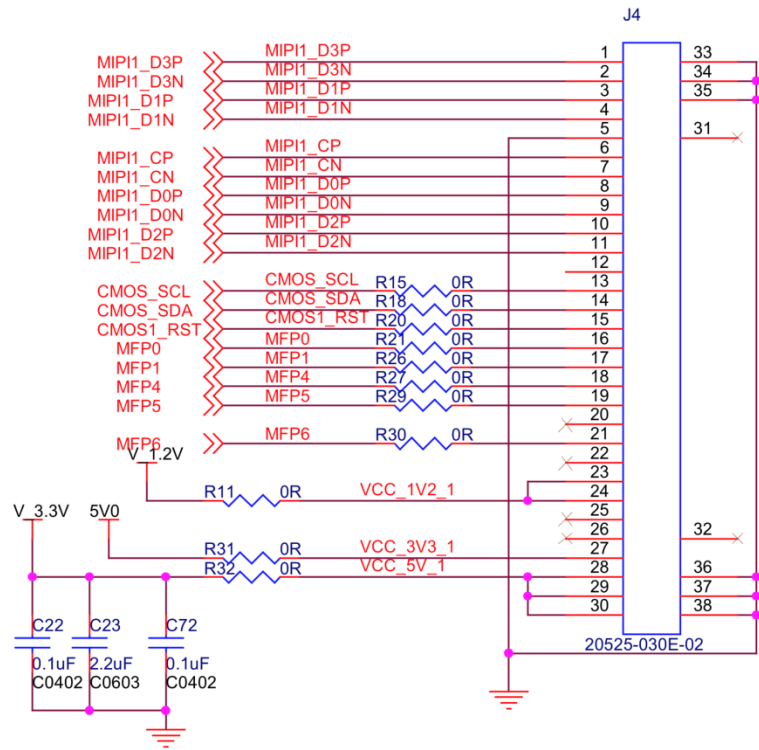
### Interface J7

- Part#: PJ-002A
- Power Supply: 12V DC



### Interface J4

- Part#: 20525-030E-02C
- Number of Positions: 30
- Pitch: 0.4mm
- Mating I-PEX cable: FAW-1233-03 (300mm)



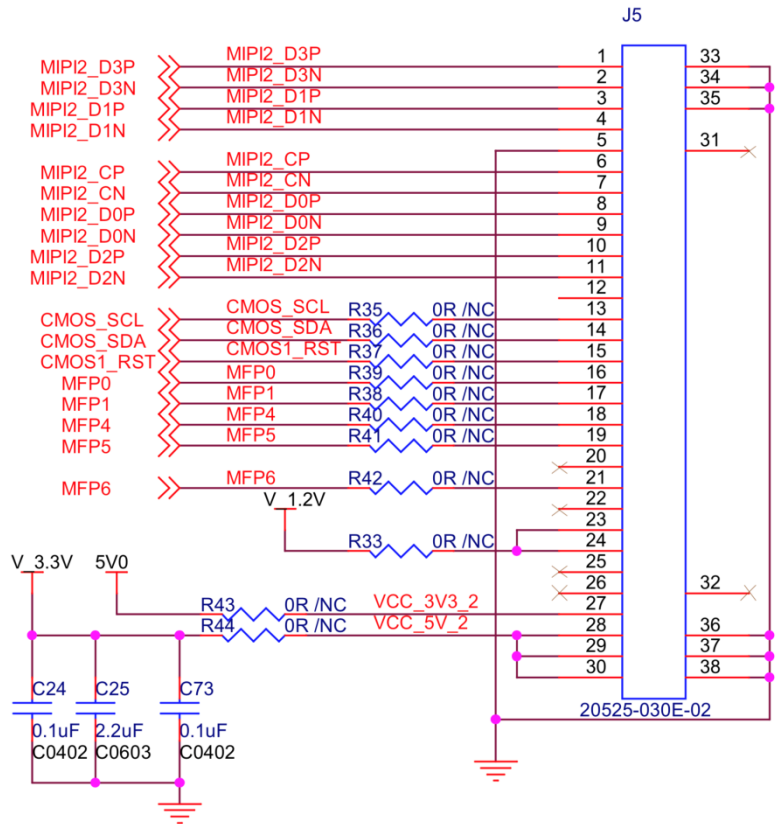
Leopard Imaging Inc.

48820 Kato Rd, Suite 100B, Fremont, CA 94538, USA  
 Phone: +1-408-263-0988  
 Fax: +1-408-217-1960  
 Email: sales@leopardimaging.com  
 Website: www.leopardimaging.com

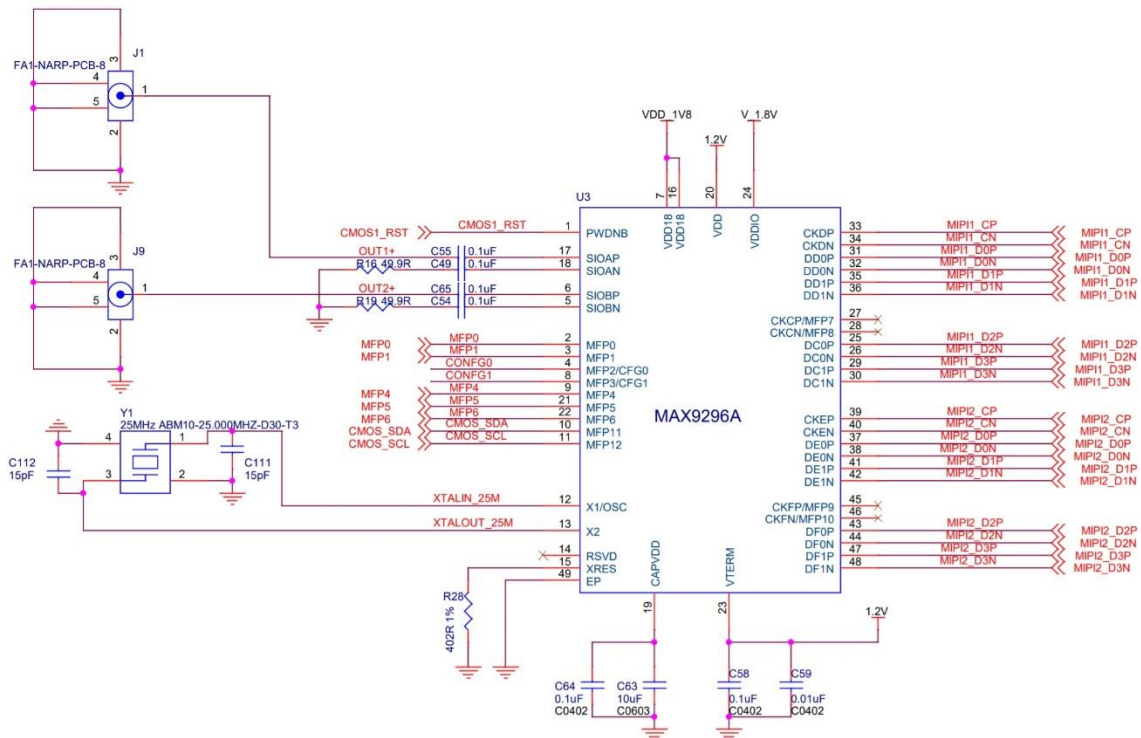


## Interface J5

- Part#: 20525-030E-02C
- Number of Positions: 30
- Pitch: 0.4mm
- Mating I-PEX cable: FAW-1233-03 (300mm)



## De-Serializer



Leopard Imaging Inc.

48820 Kato Rd, Suite 100B, Fremont, CA 94538, USA  
 Phone: +1-408-263-0988  
 Fax: +1-408-217-1960  
 Email: sales@leopardimaging.com  
 Website: www.leopardimaging.com

## Revision History

Revision	Description	Release Date
1.0	First Release	17. Jun. 2018



Leopard Imaging Inc.

48820 Kato Rd, Suite 100B, Fremont, CA 94538, USA  
Phone: +1-408-263-0988  
Fax: +1-408-217-1960  
Email: sales@leopardimaging.com  
Website: www.leopardimaging.com

## X-ON Electronics

Largest Supplier of Electrical and Electronic Components

*Click to view similar products for [Interface Development Tools](#) category:*

*Click to view products by [Leopard Imaging](#) manufacturer:*

Other Similar products are found below :

[ADP5585CP-EVALZ](#) [CHA2066-99F](#) [AS8650-DB](#) [MLX80104 TESTINTERFACE](#) [416100120-3](#) [XR18910ILEVB](#) [XR21B1421IL28-0A-EVB](#) [TW-DONGLE-USB](#) [EVAL-ADM2491EEBZ](#) [MAXREFDES23DB#](#) [MAX13235EEVKIT](#) [DFR0257](#) [XR22404CG28EVB](#) [ZLR964122L](#) [ZLR88822L](#) [EVK-U23-01S](#) [EVK-W262U-00](#) [DC327A](#) [PIM511](#) [PIM536](#) [PIM517](#) [DEV-17512](#) [STR-FUSB3307MPX-PPS-GEVK](#) [MAXREFDES177#](#) [EVAL-ADM2567EEBZ](#) [ZSSC3240KIT](#) [MAX9121EVKIT](#) [PIM532](#) [ZSC31010KITV2P1](#) [UMFT4233HPEV](#) [LVDS-18B-EVK](#) [XR20M1172G28-0B-EB](#) [SI871XSOIC8-KIT](#) [1764](#) [1833](#) [1862](#) [EVB-USB82514](#) [ATA6628-EK](#) [ATA6631-EK](#) [EVAL-CN0313-SDPZ](#) [2264](#) [MCP23X17EV](#) [PS081-EVA-HR MODULE](#) [237](#) [SMA2RJ45EVK/NOPB](#) [FR12-0002](#) [MAFR-000455-001](#) [BOB-13263](#) [ORG4572-R01-UAR](#) [CPC5622-EVAL-600R](#)