



LEOPARD IMAGING INC

# LI-IMX424-GW5400-FPDLINKIII-xxxH Data Sheet

## Key Features

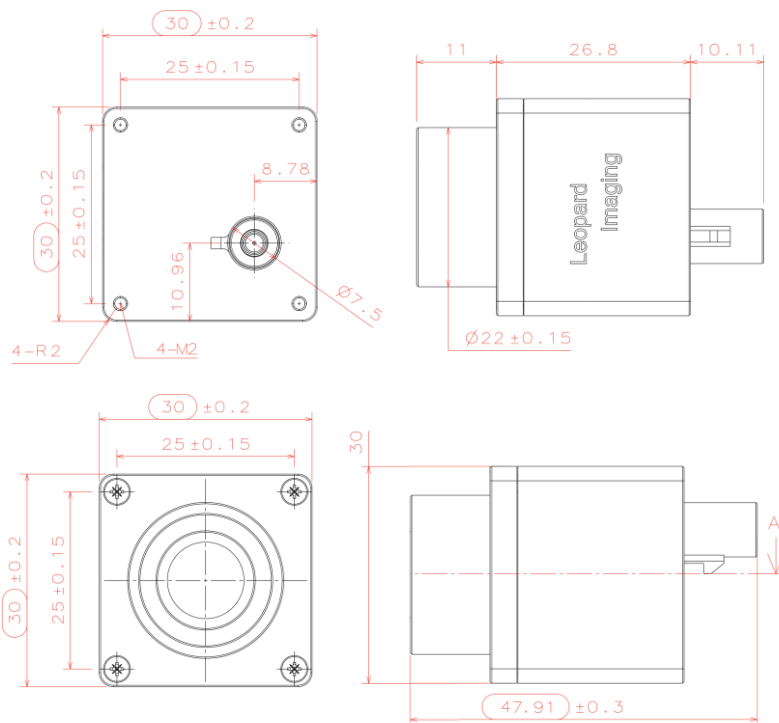
- Sony Diagonal 9.69 mm (Type 1/1.7) CMOS Image Sensor IMX424
- Optical format: 1/1.7"
- Resolution: 1920 (H) x 1080 (V)
- Pixel size: 2.25 x 2.25  $\mu\text{m}$
- YUV output without compression
- Includes GEO Semi GW5400 ISP
- Supports HDR
- Lens: FOV H 40° / 65° / 120°
- TI953 Serializer
- Supports 9V ~ 19V power supply
- Connector: FAKRA Z TYPE
- IP Rating: IP67 or IP69K
- Operation Temp: -40°C ~ +85°C
- Storage Temp: -40°C ~ +125°C
- Weight: ~ 50 g
- Part#: **LI-IMX424-GW5400-FPDLINKIII-xxxH**



## Application

- Automotive ADAS
- ADAS + Viewing Fusion

## Dimensions



USA Office  
 48820 Kato Rd, Suite 100B, Fremont, CA 95035, USA  
 Phone: +1-408-263-0988  
 Fax: +1-408-217-1960  
 Email: sales@leopardimaging.com  
 Website: www.leopardimaging.com

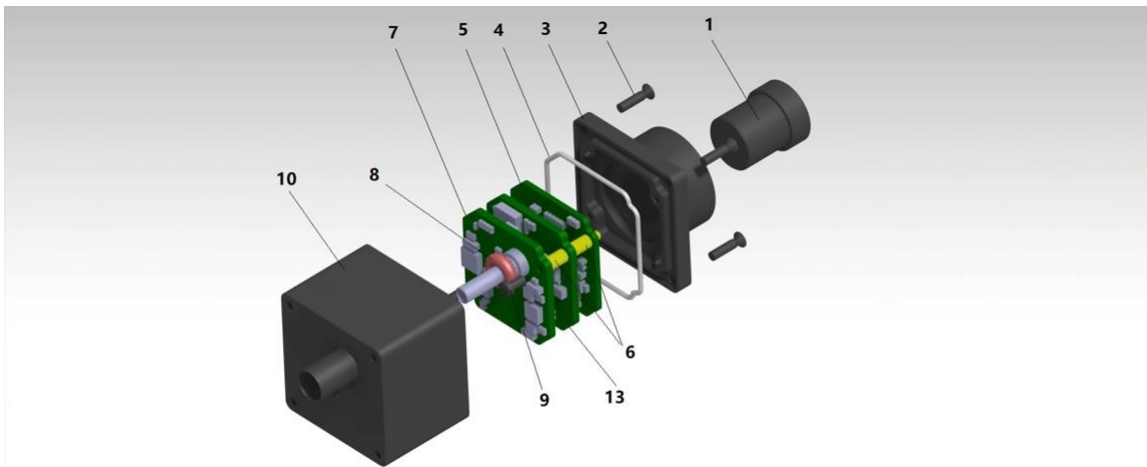
Shanghai Office (China)

上海市闵行区宜山路 1618 号新意城 A 座 9 楼 A910, 201103  
 Phone: + 86-139-1857-8492  
 王斌(Robin Wang)  
 Email: robinw@leopardimaging.com



# BOM

#	Name	SPEC	QTY/SET
1	M12 Lens	DSL612 DSL608 CAR-55	1
2	Screw	KM2*8 black STAINLESS 304	4
3	Shell 2	AL6061-T6 BLACK Anodizing	1
4	Sealing ring	Silicon rubber, White	1
5	LI-IMX424-MIPI-FKR	IMX424 sensor board	1
6	Copper pillar	M2*5+4	4
7	LI-TI953-FKR	TI953 serializer board	1
8	O ring	7*2.4 Silicon rubber Red	1
9	Screw	M2*4 black ZINC	2
10	Shell 1	AL6061-T6 BLACK Anodizing	1
13	LI-GW5400-MIPI	GW5400 ISP board	1

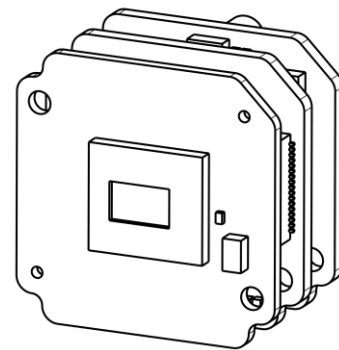
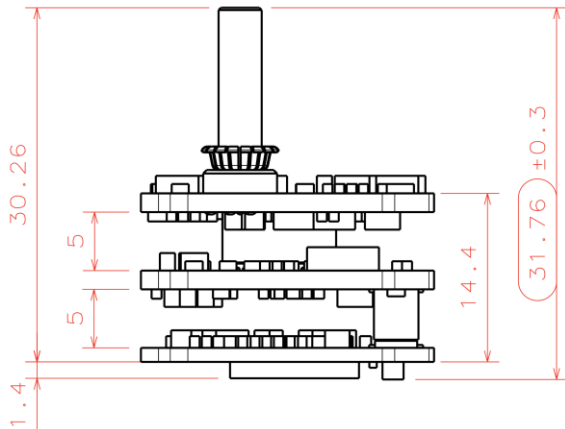
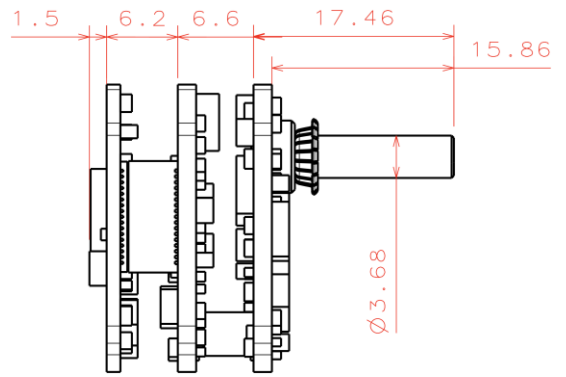
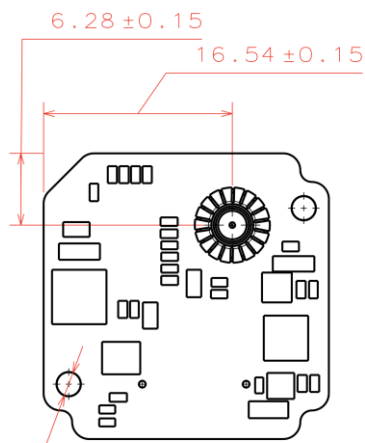
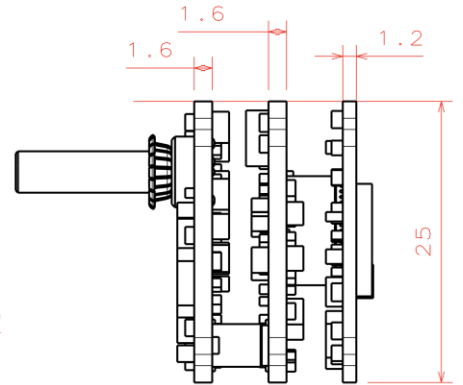
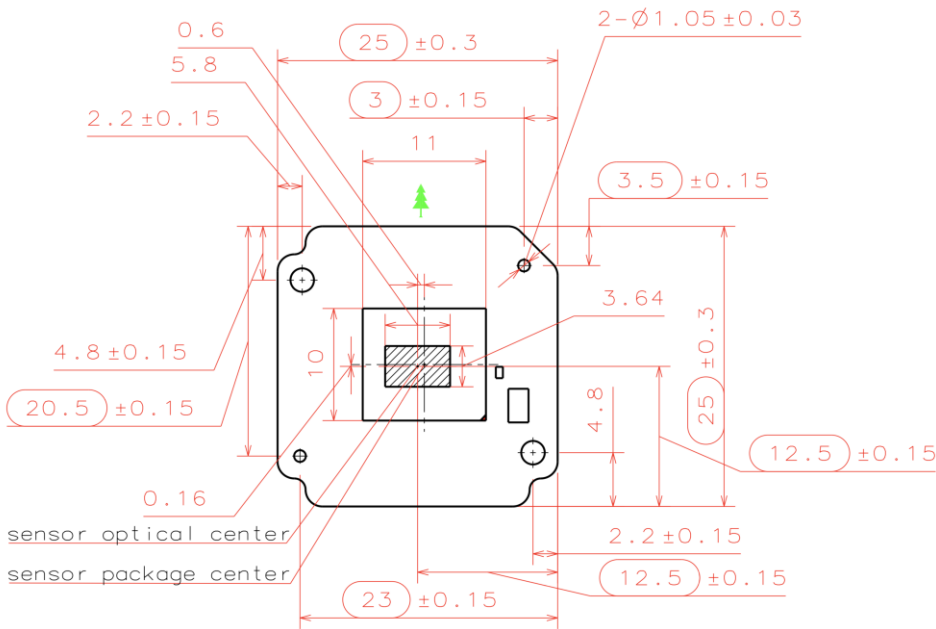


USA Office  
 48820 Kato Rd, Suite 100B, Fremont, CA 95035, USA  
 Phone: +1-408-263-0988  
 Fax: +1-408-217-1960  
 Email: sales@leopardimaging.com  
 Website: www.leopardimaging.com

Shanghai Office (China)

上海市闵行区宜山路 1618 号新意城 A 座 9 楼 A910, 201103  
 Phone: + 86-139-1857-8492  
 王斌(Robin Wang)  
 Email: robinw@leopardimaging.com

# Camera Boards Dimensions



USA Office  
 48820 Kato Rd, Suite 100B, Fremont, CA 95035, USA  
 Phone: +1-408-263-0988  
 Fax: +1-408-217-1960  
 Email: sales@leopardimaging.com  
 Website: www.leopardimaging.com

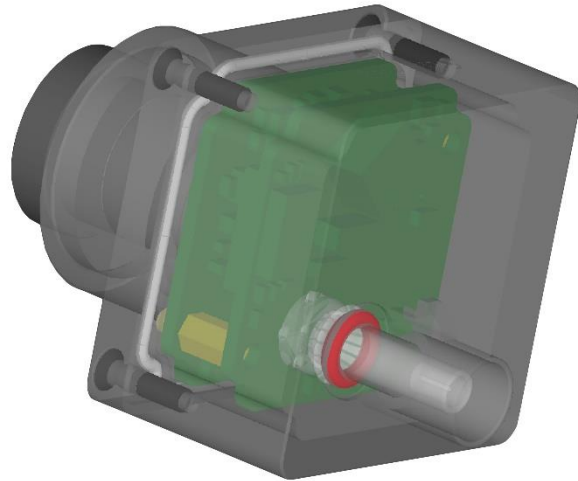
Shanghai Office (China)

上海市闵行区宜山路 1618 号新意城 A 座 9 楼 A910, 201103  
 Phone: + 86-139-1857-8492  
 王斌(Robin Wang)  
 Email: robinw@leopardimaging.com

## Water Proof

- Metal Housing
- Water-proof M12 lens
- Sealed Gasket (White)
- Sealed O-ring (Red)

Note: The lens must be glued for water proof.



## Cable Connector

- Housing Connector- FAKRA Z Type
- Cable length: 3 meters  
Supports single Coax Cable transmit up to 12 meters
- Cable Part#: FAK-SMZSMZ-3M
- FAKRA type connectors



USA Office  
48820 Kato Rd, Suite 100B, Fremont, CA 95035, USA  
Phone: +1-408-263-0988  
Fax: +1-408-217-1960  
Email: sales@leopardimaging.com  
Website: www.leopardimaging.com

Shanghai Office (China)

上海市闵行区宜山路 1618 号新意城 A 座 9 楼 A910, 201103  
Phone: + 86-139-1857-8492  
王斌(Robin Wang)  
Email: robinw@leopardimaging.com

## Ordering Information

**Part#: LI-IMX424-GW5400-FPDLINKIII-xxxH**

Note:

xxxH - 040H: FOV H 40°  
 065H: FOV H 65°  
 120H: FOV H 120°

LI-IMX424-GW5400-FPDLINKIII-040H	LI-IMX424-GW5400-FPDLINKIII-065H	LI-IMX424-GW5400-FPDLINKIII-120H
		
<p>Lens: DSL612                      Lens EFL: 11.9 mm                      F/#: 2.0                      FOV(D): 42.7°                      FOV(H): 39.1°                      FOV(V): 16.9°                      Mount: M12</p>	<p>Lens: DSL608                      Lens EFL: 7.9 mm                      F/#: 2.0                      FOV(D): 69.2°                      FOV(H): 63.3°                      FOV(V): 28.5°                      Mount: M12</p>	<p>Lens: CAR-55                      Lens EFL: 4.49 mm                      F/#: 1.6                      FOV(D): 133.5°                      FOV(H): 119°                      FOV(V): 52°                      Mount: M16</p>



USA Office  
 48820 Kato Rd, Suite 100B, Fremont, CA 95035, USA  
 Phone: +1-408-263-0988  
 Fax: +1-408-217-1960  
 Email: sales@leopardimaging.com  
 Website: www.leopardimaging.com

Shanghai Office (China)

上海市闵行区宜山路 1618 号新意城 A 座 9 楼 A910, 201103  
 Phone: + 86-139-1857-8492  
 王斌(Robin Wang)  
 Email: robinw@leopardimaging.com

## LI-FPDLINKIII-FP-USB-BOX



LI-IMX424-GW5400-FPDLINKIII can connect to LI-FPDLINKIII-FP-USB-BOX as a USB 3.0 camera.

Part#: **LI-USB30-IMX424-GW5400-FPDLINKIII-xxxH**

### Key Features

- USB 3.0 Super Speed support
- YUV output without compression
- Supports HDR
- UVC compliant
- Allows customization
- 12 VDC Power Supply (Comes with camera)
- Weight: ~ 178 g
- Single Coax Cable transmits up to 12-meter PoC (Power over Cable)
- Resolution: 1920 x 1080 @ 30 fps
- Power consumption: < 215 mA @ 12 VDC
- Compatible with Windows, Linux OS and other OS which have UVC drivers



### SDK Supported

- Camera Tool Source Code in C#
- Capture & Display



USA Office  
48820 Kato Rd, Suite 100B, Fremont, CA 95035, USA  
Phone: +1-408-263-0988  
Fax: +1-408-217-1960  
Email: sales@leopardimaging.com  
Website: www.leopardimaging.com

Shanghai Office (China)

上海市闵行区宜山路 1618 号新意城 A 座 9 楼 A910, 201103  
Phone: + 86-139-1857-8492  
王斌(Robin Wang)  
Email: robinw@leopardimaging.com

## Revision History

Revision	Description	Release Date
1.0	First Release	7. Aug. 2019
1.1	Upgrade GW5200 to GW5400	24. Dec. 2020
1.2	Change CAR-53 lens to CAR-55	30. Mar. 2021



USA Office  
48820 Kato Rd, Suite 100B, Fremont, CA 95035, USA  
Phone: +1-408-263-0988  
Fax: +1-408-217-1960  
Email: sales@leopardimaging.com  
Website: www.leopardimaging.com

Shanghai Office (China)

上海市闵行区宜山路 1618 号新意城 A 座 9 楼 A910, 201103  
Phone: + 86-139-1857-8492  
王斌(Robin Wang)  
Email: robinw@leopardimaging.com

## X-ON Electronics

Largest Supplier of Electrical and Electronic Components

*Click to view similar products for [Cameras & Camera Modules](#) category:*

*Click to view products by [Leopard Imaging](#) manufacturer:*

Other Similar products are found below :

[73-540-420I](#) [82635DSASRPRQ 951913](#) [Web Camera module 5.0M pixel FIT0729](#) [LI-USB30-OX05B1S-VCSEL-OMS-96717-200H](#) [LI-AR1335C-MIPI-097H](#) [108674](#) [LI-USB30-IMX490-GMSL2-120H](#) [LI-USB30-OV2312-GMSL2-110H](#) [LI-IMX675-MIPI-076H](#) [82635DSD456](#) [LI-IMX424-GW5400-FPDLINKIII-120H](#) [LI-AR0234CS-GMSL2-OWL](#) [5390](#) [5389](#) [106681](#) [106752](#) [107654](#) [107402](#) [1202](#) [1203](#) [AC164150](#) [2392](#) [106695](#) [106988](#) [107139](#) [107146](#) [MIPI 5MP IR AF Camera](#) [106732](#) [LI-USB30-AR023ZWDR](#) [LI-USB30-OV13850](#) [LI-OV580-STEREO](#) [LI-OV2640-USB-M6](#) [LI-OV5640-MIPI-AF-NIR](#) [82635DSASMDLPRQ](#) [106692](#) [106687](#) [106493](#) [106688](#) [106682](#) [107115](#) [106694](#) [106989](#) [107149](#) [106693](#) [106696](#) [106684](#) [106683](#) [107140](#) [106982](#)