



LEOPARD IMAGING INC

LI-IMX490-GMSL2-xxxH

Data Sheet

Key Features

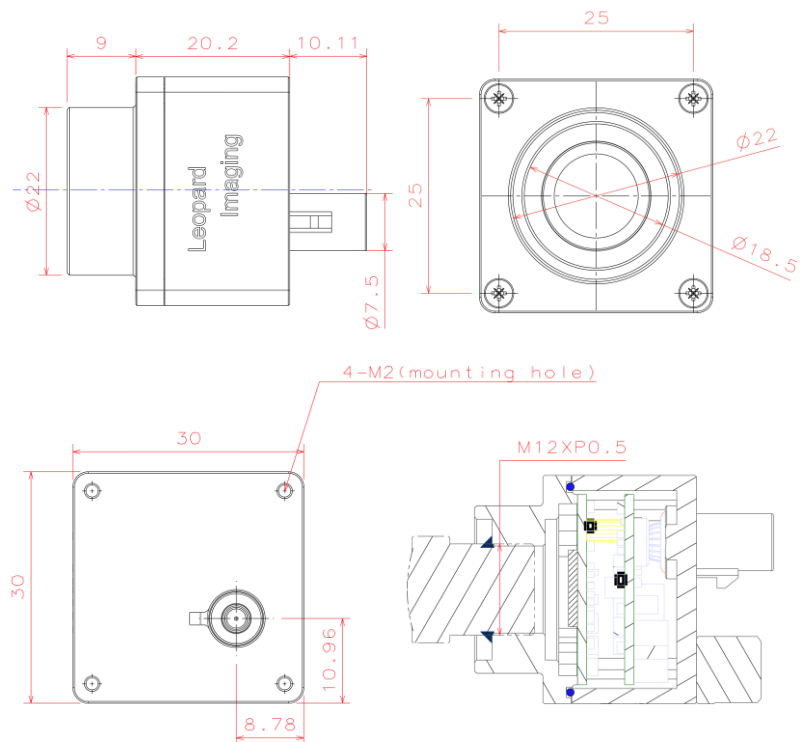
- Sony Diagonal 10.36mm (Type 1/1.55)
5.36MP CMOS Image Sensor IMX490
- Optical format: 1/1.55"
- Number of active pixels: 2880H x 1860V
- Pixel size: 3.0 μm x 3.0 μm
- Output Raw data
- Support 9V ~ 19V Power
- Lens: FOV H 30 / 40 / 65 / 90 / 120
- GMSL2 Serializer
- Connector: FAKRA Z TYPE
- Water proof: IP67
- Operation Temp: -40 ~ 85 °C
- Storage Temp: -40 ~ 125 °C
- Size: 30 x 30 x 29.2 mm
- Weight: 50g ~ 75g (based on lens)
- Part#: **LI-IMX490-GMSL2-xxxH**



Application

- Automotive ADAS
- Automotive Rear View or Backup

Dimensions

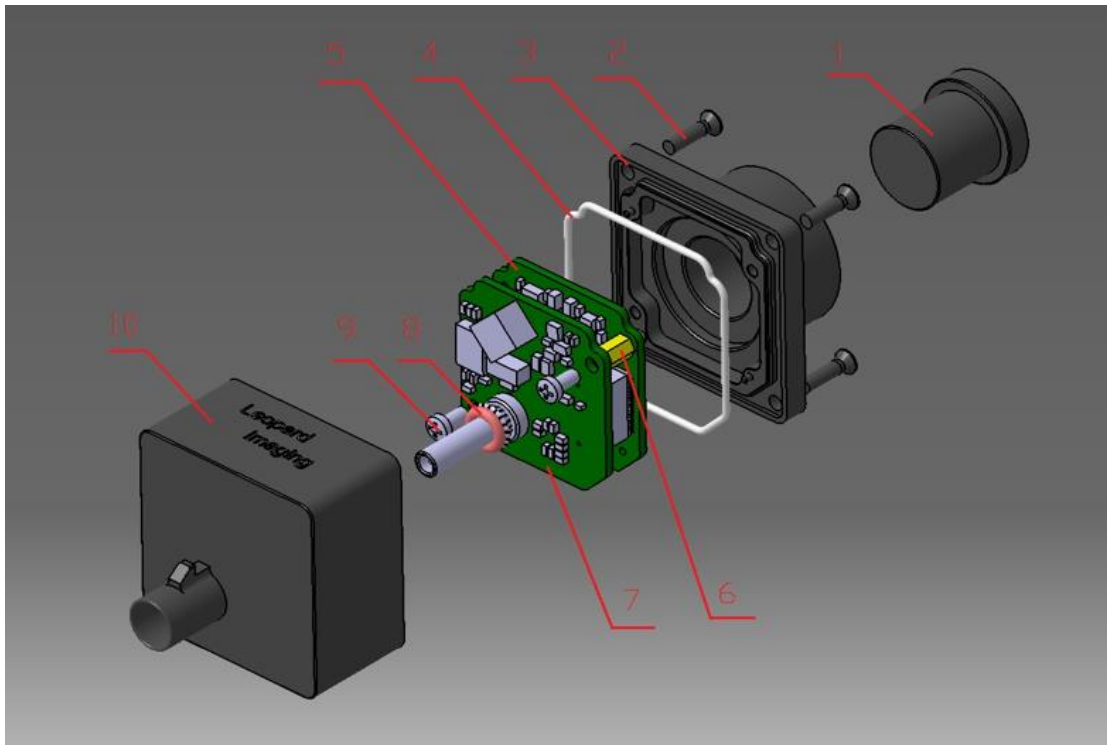


Leopard Imaging Inc.

48820 Kato Rd, Suite 100B, Fremont, CA 94538, USA
Phone: +1-408-263-0988
Fax: +1-408-217-1960
Email: sales@leopardimaging.com
Website: www.leopardimaging.com

BOM

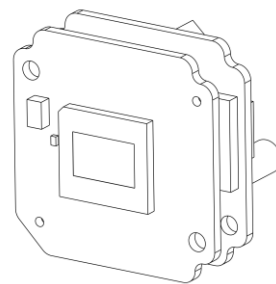
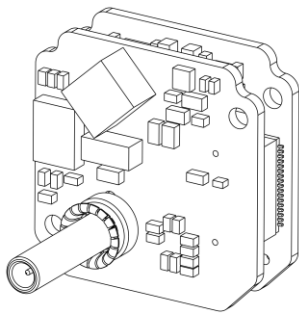
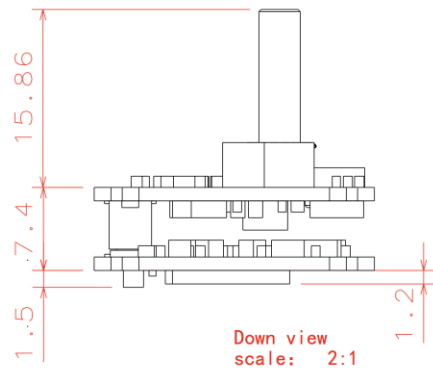
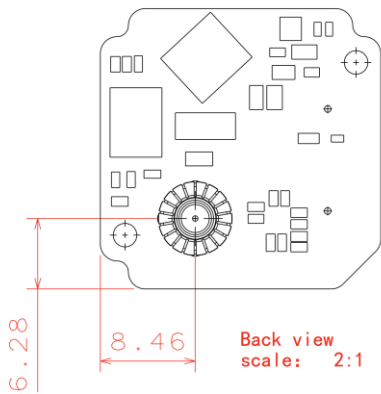
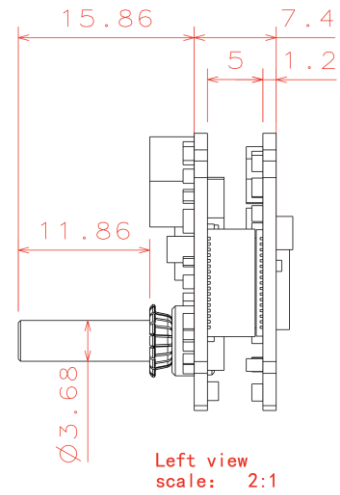
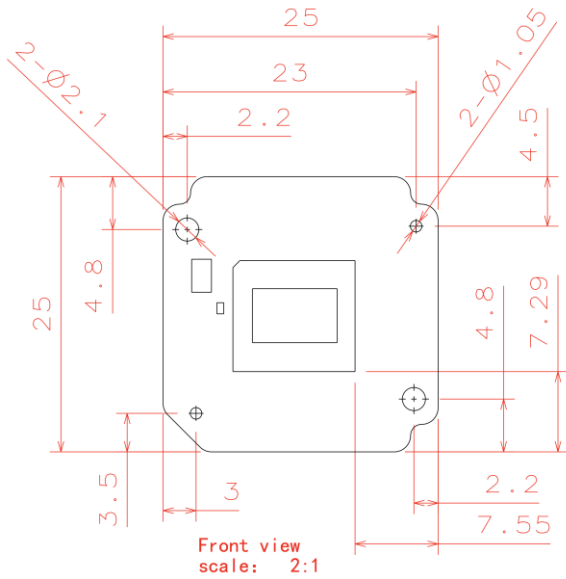
#	Name	SPEC	QTY/SET
1	Lens	CAR-36 DSL612 DSL608 DSL492 CAR-53	1
2	Screw	M2*8 cross flat head black ZINC	4
3	Shell 2	AL6061-T6 BLACK Anodizing	1
4	Sealing ring	Silicon rubber, White	1
5	LI-IMX490-MIPI-FKR	IMX490 sensor board	1
6	Copper pillar	M2*5+3	2
7	LI-GMSL2-FKR	GMSL2 board	1
8	O ring	6.5*1.5 Silicon rubber Red	1
9	Screw	M2*4 cross pan head black ZINC	2
10	Shell 1	AL6061-T6 BLACK Anodizing	1



Leopard Imaging Inc.

48820 Kato Rd, Suite 100B, Fremont, CA 94538, USA
 Phone: +1-408-263-0988
 Fax: +1-408-217-1960
 Email: sales@leopardimaging.com
 Website: www.leopardimaging.com

Camera boards Dimensions



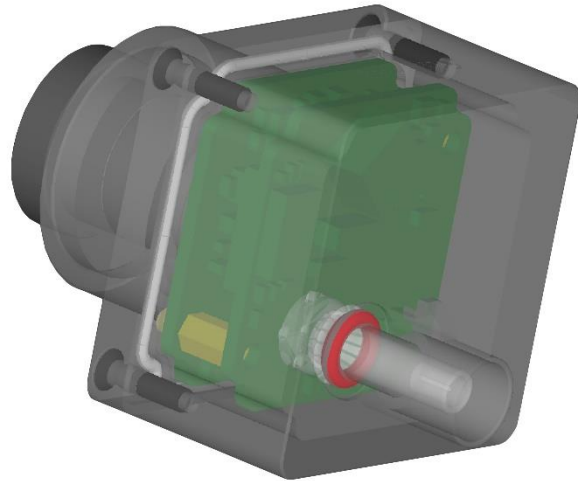
Leopard Imaging Inc.

48820 Kato Rd, Suite 100B, Fremont, CA 94538, USA
 Phone: +1-408-263-0988
 Fax: +1-408-217-1960
 Email: sales@leopardimaging.com
 Website: www.leopardimaging.com

Water Proof

- Metal Housing
- Water-proof M12 lens
- Sealed Gasket (White)
- Sealed O-ring (Red)

Note: The lens must be glued for water proof.



Cable Connector

- Housing Connector- FAKRA Z Type
- Cable length: 3 meters
Support single Coax Cable transmit up to 12 meters
- Cable Part#: FAK-SMZSMZ-3M
- FAKRA type connectors



Leopard Imaging Inc.

48820 Kato Rd, Suite 100B, Fremont, CA 94538, USA
Phone: +1-408-263-0988
Fax: +1-408-217-1960
Email: sales@leopardimaging.com
Website: www.leopardimaging.com

Ordering Information

Note:

xxxH - 030H: FOV H 30°
 040H: FOV H 40°
 065H: FOV H 65°
 090H: FOV H 90°
 120H: FOV H 120°

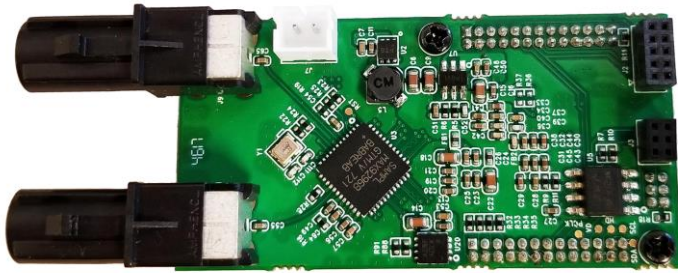
LI-IMX490-GMSL2-030H		LI-IMX490-GMSL2-040H	
			
Lens: CAR-36 Lens EFL: 16.36 mm F/#: 1.6 FOV(D/H/V): 35.5°/30°/19.5° Mount: M16		Lens: DSL612 Lens EFL: 11.9 mm F/#: 2.0 FOV(D/H/V): 44.4°/38°/20.8° Mount: M12	
LI-IMX490-GMSL2-065H	LI-IMX490-GMSL2-090H	LI-IMX490-GMSL2-120H	
			
Lens: DSL608 Lens EFL: 7.9 mm F/#: 2.0 FOV(D/H/V): 74°/65°/37° Mount: M12	Lens: DSL492 Lens EFL: 5.9 mm F/#: 2.9 FOV(D/H/V): 100.8°/88.4°/52° Mount: M20	Lens: CAR-53 Lens EFL: 4.47 mm F/#: 1.6 FOV(D/H/V): 152°/121.5°/68° Mount: M16	



Leopard Imaging Inc.

48820 Kato Rd, Suite 100B, Fremont, CA 94538, USA
 Phone: +1-408-263-0988
 Fax: +1-408-217-1960
 Email: sales@leopardimaging.com
 Website: www.leopardimaging.com

LI-GMSL2-DESER



Front View

LI-USB30-CNTL



Back View

LI-IMX490-GMSL2-xxxH can connect to USB 3.0 EVA module as a USB 3.0 camera.
Part#: **LI-USB30-IMX490-GMSL2-xxxH**

Key Features

- USB 3.0 Super Speed support
- RAW data output without compression
- UVC compliance
- Provide customization services
- 12VDC Power Supply
- Weight: 86 g
- Single Coax Cable transmit up to 12 meter PoC(Power over Cable)
- Support 2896x1876 @ 10fps
- Power consumption: < 100mA at 12VDC
- Support Windows, Linux OS and other OS which include UVC drivers

SDK Supported

- Camera Tool Source Code in C#
- Capture & Display
- Save file as BMP & RAW format
- Support register access function



Revision History

Revision	Description	Release Date
1.0	First Release	20. Aug. 2019
1.1	Add DSL492 lens and update the resolution to full size	26. Aug. 2019
1.2	Add 030H lens	2. Aug. 2020



Leopard Imaging Inc.

48820 Kato Rd, Suite 100B, Fremont, CA 94538, USA
Phone: +1-408-263-0988
Fax: +1-408-217-1960
Email: sales@leopardimaging.com
Website: www.leopardimaging.com

X-ON Electronics

Largest Supplier of Electrical and Electronic Components

Click to view similar products for [Cameras & Camera Modules](#) category:

Click to view products by [Leopard Imaging](#) manufacturer:

Other Similar products are found below :

[FH-SC](#) [CAMOV5645](#) [73-540-420I](#) [Web Camera module 5.0M pixel](#) [LI-IMX424-GMSL2-070H](#) [73-951-0046](#) [73-954-0001T](#) [73-961-0005](#)
[1202](#) [1203](#) [73-961-0003](#) [73-961-0012](#) [107139](#) [106983](#) [107115](#) [107149](#) [107142](#) [82535IVCHVM](#) [107140](#) [107113](#) [107112](#) [107141](#) [107147](#)
[107148](#) [107110](#) [107150](#) [107145](#) [107111](#) [OKY3553](#) [10299](#) [10300](#) [11388](#) [613](#) [EP-DCINTELD-415](#) [1386](#) [4321](#) [4561](#) [43203](#) [104002](#)
[105716](#) [105993](#) [107206](#) [107645](#) [107646](#) [107655](#) [108010](#) [108172](#) [108173](#) [CLEO-CAM1](#) [107114](#)