



LI-IMX675-MIPI-076H



Address:

910 Auburn Ct
Fremont, CA 94538
USA



Phone:

+1 (408)263-0988

Fax:

+1 (408)217-1960



Sales:

sales@leopardimaging.com

Support:

support@leopardimaging.com

INTRODUCTION

The LI-IMX675-MIPI-076H is a MIPI CSI-2 camera with Sony STARVIS2 diagonal 6.53 mm (Type 1/2.8) CMOS solid-state color sensor IMX675 which has low power consumption and achieves high sensitivity, low dark current and no smear. This camera outputs 10-bit / 12-bit RAW data.

SPECIFICATIONS

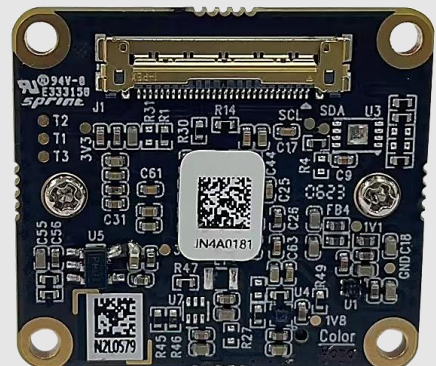
Sensor	Sony STARVIS2 Diagonal 6.53 mm CMOS Image Sensor IMX675
Optical Format	1/2.8"
Resolution	2608 (H) x 1960 (V) (active pixels)
Pixel Size	2.0 x 2.0 μm
Output Format	10-bit / 12-bit RAW
Maximum Frame Rate	12 bit: 60 fps @ all-pixel scan mode 10 bit: 80 fps @ all-pixel scan mode
ISP	Not included
Color / Mono	Color
HDR (High Dynamic Range)	Supported
Interface	4-lane MIPI CSI-2
Power Consumption	195 mA @ 5 VDC (2608 x 1964 @ 25 fps)
Operating Temp	-30°C ~ +85°C
Storage Temp	-40°C ~ +85°C
Weight	~ 14 g
Part#	LI-IMX675-MIPI-076H

APPLICATIONS

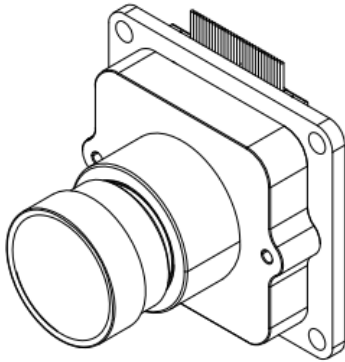
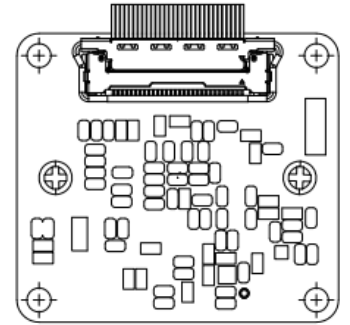
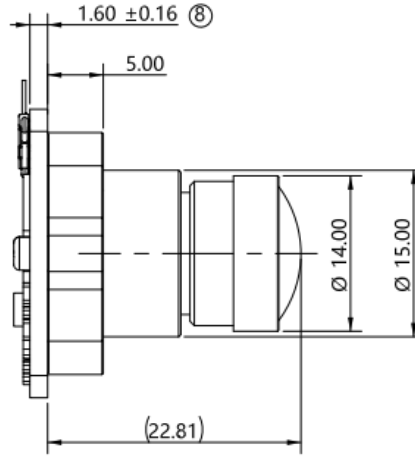
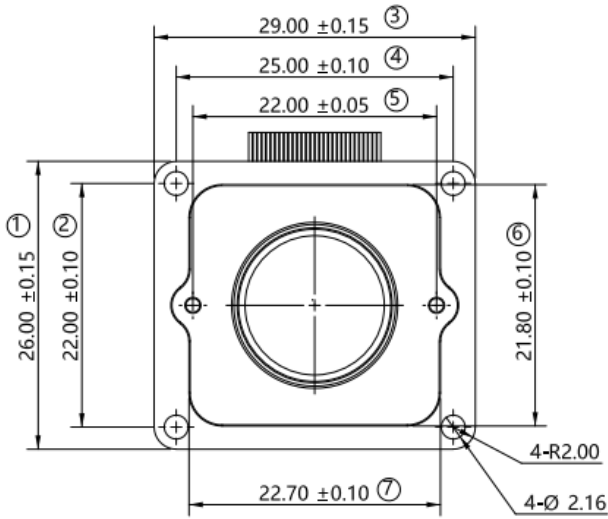
- IoT
- Drone
- Robots

LENS SPECIFICATIONS

Focal Length	3.25 mm \pm 5%
Aperture, F/#	2.60 \pm 5%
Field of View (FOV)	76° horizontal
TV Distortion	< -0.3%
Relative Illumination	> 72.98%
IR Filter	650 nm IR cut filter
Lens Mount	M12 x P0.5



DIMENSIONS



TOLERANCE TABLE					
LENGTH TOLERANCE		CHAMFER TOLERANCE		ANGLE TOLERANCE	
Size X	Tolerance	Size X	Tolerance	Size X	Tolerance
0.5 < X ≤ 3	±0.1	0.5 < X ≤ 3	±0.2	X ≤ 10	±1°
3 < X ≤ 6	±0.1	3 < X ≤ 6	±0.5	10 < X ≤ 50	±30'
6 < X ≤ 30	±0.2	6 < X ≤ 30	±1	50 < X ≤ 120	±20'
30 < X ≤ 120	±0.3	X > 30	±2	120 < X ≤ 400	±10'
120 < X ≤ 400	±0.5			X > 400	±5'
400 < X ≤ 1000	±0.8				
X > 1000	±1.2				

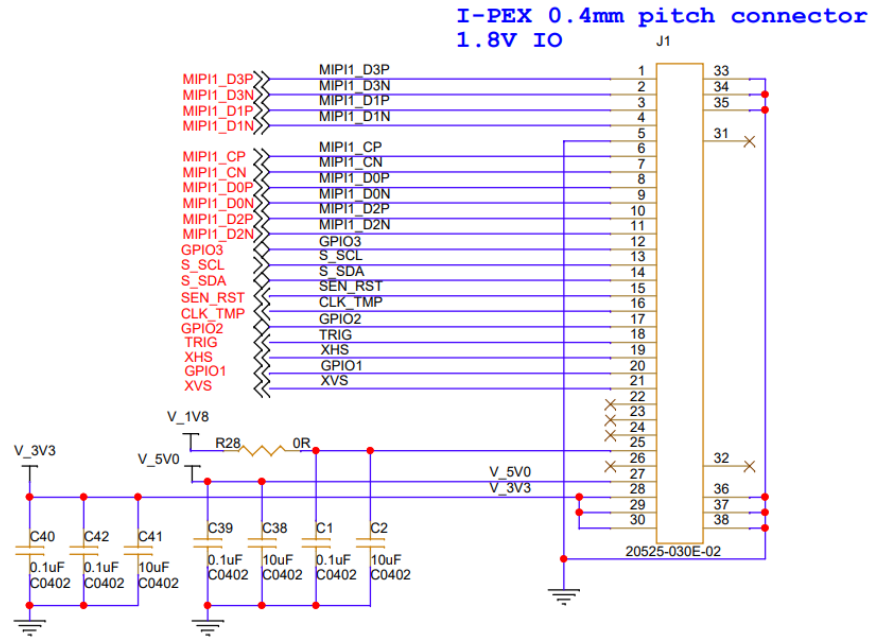
NOTE:

- ⊗ marked are important sizes.
- Other unmarked tolerances – refer to the Tolerance table.

Unit: mm

INTERFACE J1

- Connector Part#: 20525-030E-02
- Number of Positions: 30
- Pitch: 0.4 mm
- Mating I-PEX cable: LI-FAW-1233
- Sensor I2C Address: 0x34 (8-bit)
- External Power Supply: 3.3V, 5.0V
- 3.3V (analog), 1.8V and 1.1V are generated from board



● REVISION HISTORY

Revision	Description	Release Date
1.0	First release.	15 May 2023

910 Auburn Ct, Fremont, CA 94538, USA

Phone: +1-408-263-0988

Fax: +1-408-217-1960

Email: sales@leopardimaging.com

Website: www.leopardimaging.com



X-ON Electronics

Largest Supplier of Electrical and Electronic Components

Click to view similar products for [Cameras & Camera Modules](#) category:

Click to view products by [Leopard Imaging](#) manufacturer:

Other Similar products are found below :

[73-540-420I](#) [82635DSASRPRQ 951913](#) [Web Camera module 5.0M pixel FIT0729](#) [LI-USB30-OX05B1S-VCSEL-OMS-96717-200H](#) [LI-AR1335C-MIPI-097H](#) [108674](#) [LI-USB30-IMX490-GMSL2-120H](#) [LI-USB30-OV2312-GMSL2-110H](#) [LI-IMX675-MIPI-076H](#) [82635DSD456](#) [LI-IMX424-GW5400-FPDLINKIII-120H](#) [LI-AR0234CS-GMSL2-OWL](#) [5390](#) [5389](#) [106681](#) [106752](#) [107654](#) [107402](#) [1202](#) [1203](#) [AC164150](#) [2392](#) [106695](#) [106988](#) [107139](#) [107146](#) [MIPI 5MP IR AF Camera](#) [106732](#) [LI-USB30-AR023ZWDR](#) [LI-USB30-OV13850](#) [LI-OV580-STEREO](#) [LI-OV2640-USB-M6](#) [LI-OV5640-MIPI-AF-NIR](#) [82635DSASMDLPRQ](#) [106692](#) [106687](#) [106493](#) [106688](#) [106682](#) [107115](#) [106694](#) [106989](#) [107149](#) [106693](#) [106696](#) [106684](#) [106683](#) [107140](#) [106982](#)