



LEOPARD IMAGING INC

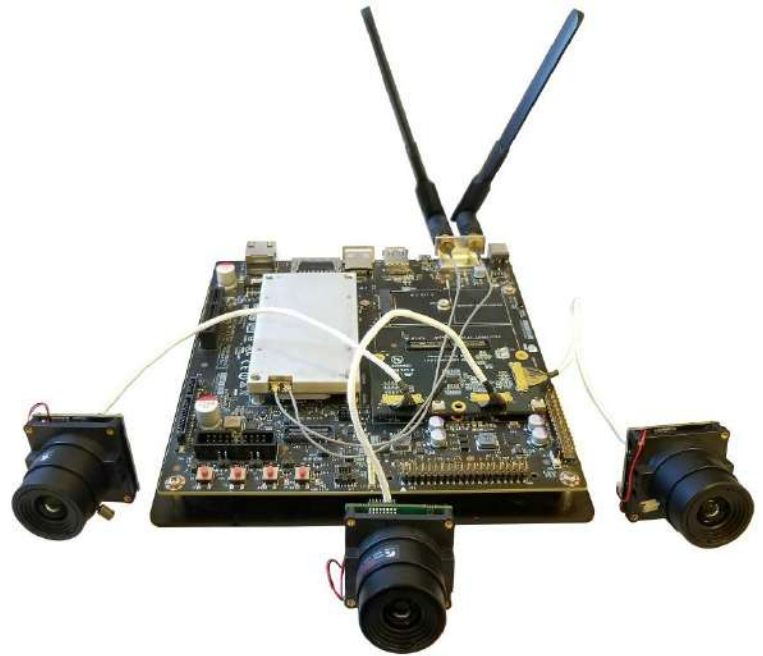
Rev 1.0

# LI-JETSON-KIT-IMX377CS-X

## Data Sheet

### Key Features

- Compatible with Nvidia Jetson TX1/TX2 Development Kit
- MIPI CSI-2 interface
- Support up to three cameras
- Adapter board:  
LI-JTX1-MIPI-ADPT  
Includes three 4-lane interface  
Support 13M@30fps
- Sony Diagonal 7.81 mm (Type 1/2.3)  
CMOS Image Sensor IMX377CQT
- Active pixels: 4024H x 3036V
- Pixel size: 1.55 um x 1.55 um
- Color camera
- I-PEX cable part#: FAW-1233-03
- Length of the I-PEX cable: 300mm
- Support multiple length cables
- Connector Part#: 20525-030E-02C
- Support IR cut switch
- Support CS lens
- Provide customization services
- Part#:  
(1 cam) **LI-JETSON-KIT-IMX377CS**  
(2 cam) **LI-JETSON-KIT-IMX377CS-D**  
(3 cam) **LI-JETSON-KIT-IMX377CS-T**



### Lens Spec

- Model: ES0522F.IR
- Focal length: 5.0 mm
- Aperture, F/#: 2.2
- FOV (D/H/V): 87° / 76° / 43°
- TV Distortion: < -8%
- Mount Type: CS

### BOM

Nvidia TX1/TX2 Development Kit not included

#	Items	QTY
1	LI-JTX1-MIPI-ADPT	1
2	LI-IMX377-MIPI-CS	1,2 or 3
3	FAW-1233-03 cable	1,2 or 3



Leopard Imaging Inc.

1130 Cadillac Ct., Milpitas, CA 95035, USA  
Phone: +1-408-263-0988  
Fax: +1-408-217-1960  
Email: sales@leopardimaging.com  
Website: www.leopardimaging.com

## LI-JETSON-KIT-IMX377CS

### BOM

#	Items	QTY
1	LI-JTX1-MIPI-ADPT	1
2	LI-IMX377-MIPI-CS	1
3	FAW-1233-03 cable	1



## LI-JETSON-KIT-IMX377CS-D

### BOM

#	Items	QTY
1	LI-JTX1-MIPI-ADPT	1
2	LI-IMX377-MIPI-CS	2
3	FAW-1233-03 cable	2



## LI-JETSON-KIT-IMX377CS-T

### BOM

#	Items	QTY
1	LI-JTX1-MIPI-ADPT	1
2	LI-IMX377-MIPI-CS	3
3	FAW-1233-03 cable	3

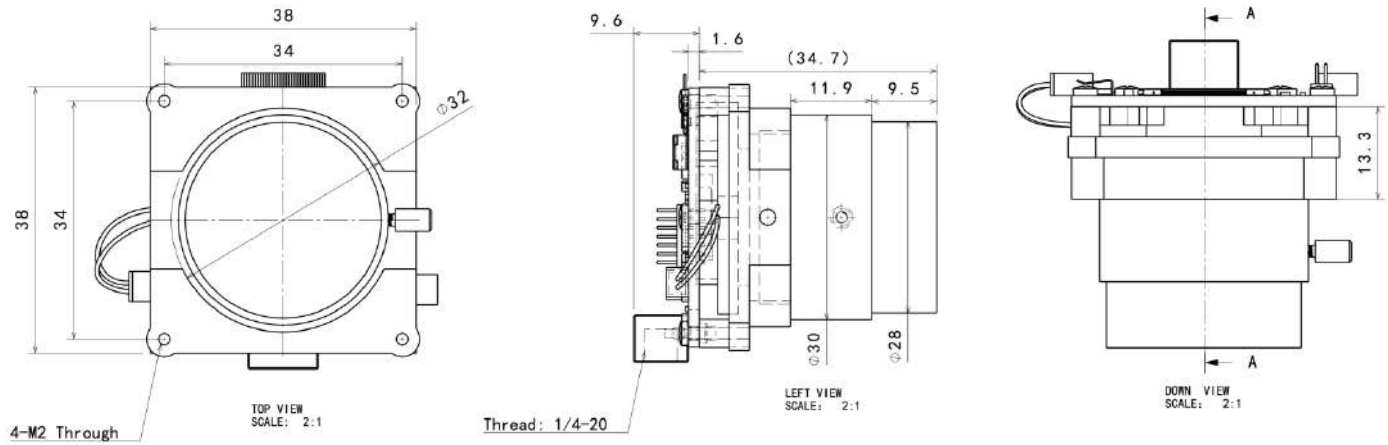


Leopard Imaging Inc.

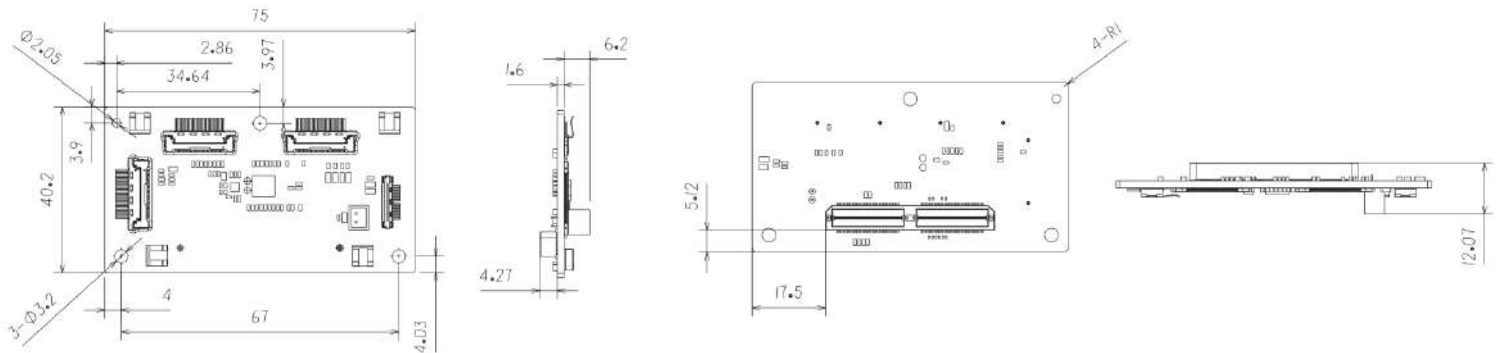
1130 Cadillac Ct., Milpitas, CA 95035, USA  
Phone: +1-408-263-0988  
Fax: +1-408-217-1960  
Email: sales@leopardimaging.com  
Website: www.leopardimaging.com

# Dimensions

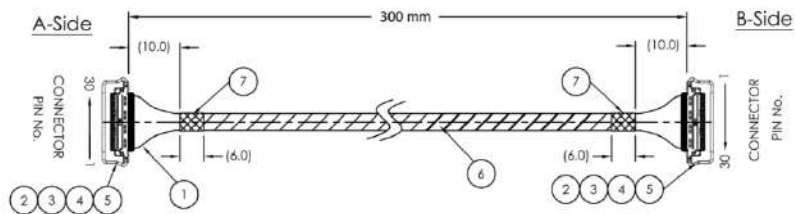
## LI-IMX377-MIPI-CS



## LI-JTX1-MIPI-ADPT



## FAW-1233-03



Leopard Imaging Inc.

1130 Cadillac Ct., Milpitas, CA 95035, USA  
 Phone: +1-408-263-0988  
 Fax: +1-408-217-1960  
 Email: sales@leopardimaging.com  
 Website: www.leopardimaging.com

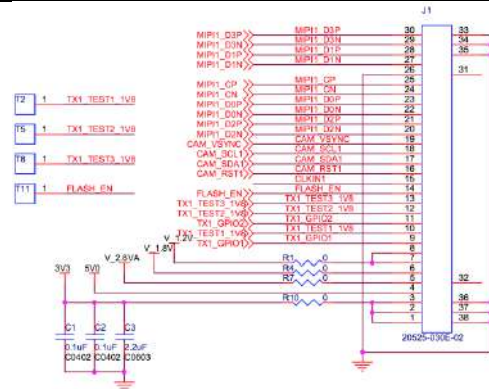
# LI-JTX1-MIPI-ADPT



## Interfaces

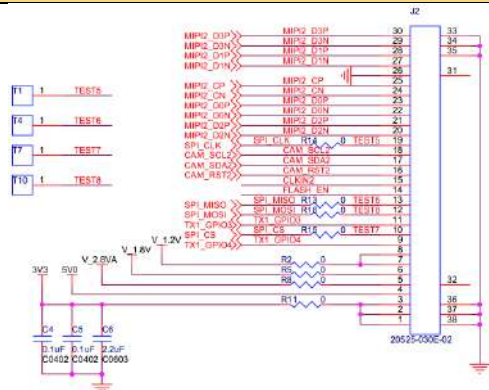
### Interface J1

- Part#: 20525-030E-02C
- Number of Positions: 30
- Pitch: 0.4mm
- Mating I-PEX cable: FAW-1233-03 (300mm)



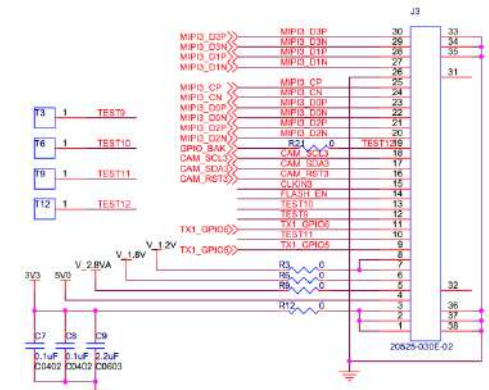
### Interface J2

- Part#: 20525-030E-02C
- Number of Positions: 30
- Pitch: 0.4mm
- Mating I-PEX cable: FAW-1233-03 (300mm)



### Interface J3

- Part#: 20525-030E-02C
- Number of Positions: 30
- Pitch: 0.4mm
- Mating I-PEX cable: FAW-1233-03 (300mm)



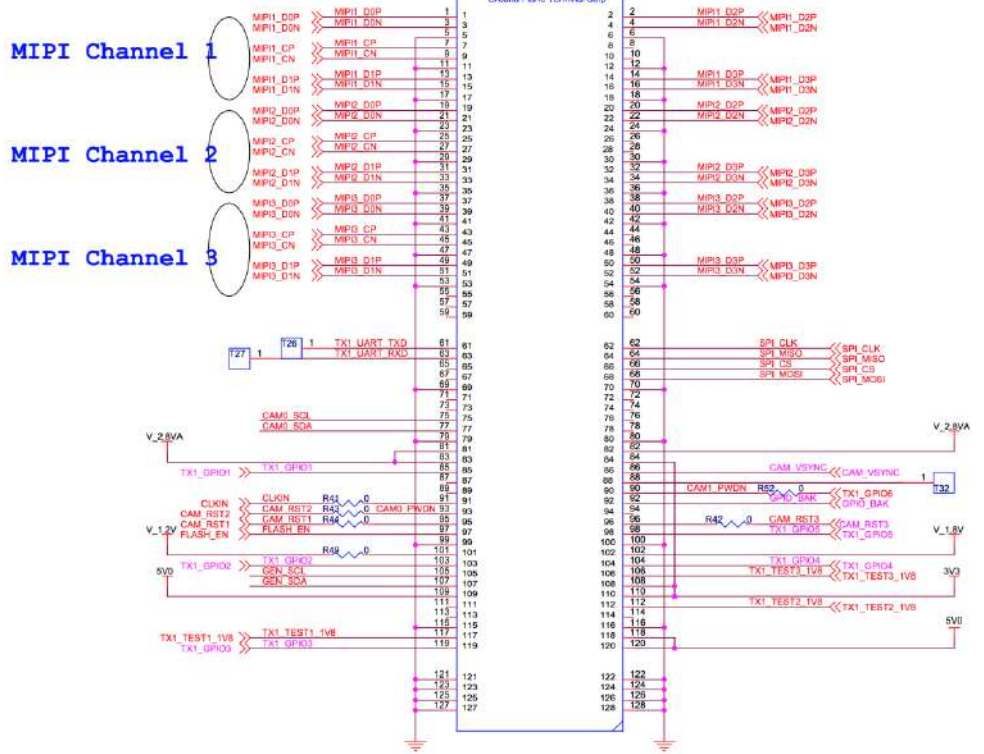
Leopard Imaging Inc.

1130 Cadillac Ct., Milpitas, CA 95035, USA  
 Phone: +1-408-263-0988  
 Fax: +1-408-217-1960  
 Email: sales@leopardimaging.com  
 Website: www.leopardimaging.com

# Interface J10

- Part#: QTH-060-01-L-D-A
- Number of Positions: 120
- Number of Rows: 2
- Pitch: 0.5 mm

## Vertical Mating Connector of Jetson TX1 J22



Leopard Imaging Inc.

1130 Cadillac Ct., Milpitas, CA 95035, USA  
 Phone: +1-408-263-0988  
 Fax: +1-408-217-1960  
 Email: sales@leopardimaging.com  
 Website: www.leopardimaging.com

# LI-IMX377-MIPI-CS



Camera Spec	
Image Sensor	Sony Diagonal 7.81 mm (Type 1/2.3) CMOS Image Sensor IMX377CQT
Optical format	1/2.3"
Number of active pixels	4024 (H) x 3036 (V)
Pixel size	1.55um (H) x 1.55um (V)
Color or Mono	Color
Interface	MIPI interface
Lens mount	CS
IR switcher	Support
Weight	56 g
Interfaces	
<b>Interface J1:</b> <ul style="list-style-type: none"> <li>Part#: 20525-030E-02C</li> <li>Number of Positions: 30</li> <li>Pitch: 0.4mm</li> <li>Mating I-PEX cable: FAW-1233-03 (300mm)</li> </ul>	
<b>Interface J3:</b> <ul style="list-style-type: none"> <li>Part#: 1734829-2</li> <li>Number of Positions: 2</li> <li>Pitch: 1.25mm</li> </ul>	



Leopard Imaging Inc.

1130 Cadillac Ct., Milpitas, CA 95035, USA  
 Phone: +1-408-263-0988  
 Fax: +1-408-217-1960  
 Email: sales@leopardimaging.com  
 Website: www.leopardimaging.com

## Absolute Maximum Ratings

◆ Supply voltage (Analog)	$V_{ADD}^{*1}$	-0.3 to +3.3	V
◆ Supply voltage (Digital 1)	$V_{DDD1}^{*2}$	-0.5 to +2.0	V
◆ Supply voltage (Digital 2)	$V_{DDD2}^{*3}$	-0.5 to +3.3	V
◆ Input voltage (Digital)	$V_I$	-0.3 to $V_{DDD2} + 0.3$	V
◆ Output voltage (Digital)	$V_O$	-0.3 to $V_{DDD2} + 0.3$	V
◆ Guaranteed operating temperature	$T_{OPR}$	-10 to +75	°C
◆ Storage guarantee temperature	$T_{STG}$	-30 to +80	°C
◆ Performance guarantee temperature	$T_{SPEC}$	-10 to +60	°C

## Recommended Operating Conditions

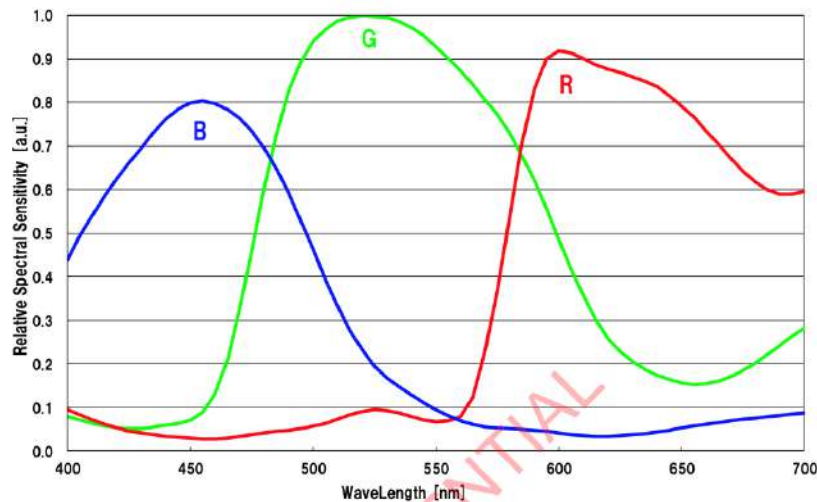
◆ Supply voltage (Analog)	$V_{ADD}^{*1}$	$2.8 \pm 0.1$	V
◆ Supply voltage (Digital 1)	$V_{DDD1}^{*2}$	$1.2 \pm 0.1$	V
◆ Supply voltage (Digital 2)	$V_{DDD2}^{*3}$	$1.8 \pm 0.1$	V
◆ Input voltage (Digital)	$V_I$	-0.1 to $V_{DDD2} + 0.1$	V
◆ Output voltage (Digital)	$V_O$	-0.1 to $V_{DDD2} + 0.1$	V

\*1  $V_{ADD}$ :  $V_{DDSUB}$ ,  $V_{DDHCM}$ ,  $V_{DDHPX}$ ,  $V_{DDHDA}$ ,  $V_{DDHCP}$  (2.8 V power supply)

\*2  $V_{DDD1}$ :  $V_{DDLNCN1}$  to 2,  $V_{DDLSC1}$  to 2,  $V_{DDLPL1}$  to 3,  $V_{DDLIF1}$  to 2 (1.2 V power supply)

\*3  $V_{DDD2}$ :  $V_{DDMIO}$  (1.8 V power supply)

## Spectral Sensitivity Characteristics



## DC Characteristics

### Current Consumption and Gain Variable Range

( $V_{ADD} = 2.9\text{ V}$ ,  $V_{DDD1} = 1.3\text{ V}$ ,  $V_{DDD2} = 1.9\text{ V}$ ,  $T_j = 60\text{ }^\circ\text{C}$ , Reference Gain (0 dB), approximately 12.35 M pixels readout (MODE0), 34.97 frame/s)

Item	Symbol	Min.	Typ.	Max.	Unit	Remarks
Current consumption (Analog)	$I_{ADD}$	—	—	91	mA	
Current consumption (Digital 1)	$I_{DDD1}$	—	—	256	mA	
Current consumption (Digital 2)	$I_{DDD2}$	—	—	1	mA	
Standby current (Analog)	$I_{ADDSTB}$	—	—	150	$\mu\text{A}$	In the dark
Standby current (Digital 1)	$I_{DDD1STB}$	—	—	40	mA	In the dark
Standby current (Digital 2)	$I_{DDD2STB}$	—	—	50	$\mu\text{A}$	In the dark
PGA gain variable range	PGAG	0	—	27	dB	

### Supply Voltage and I/O Voltage

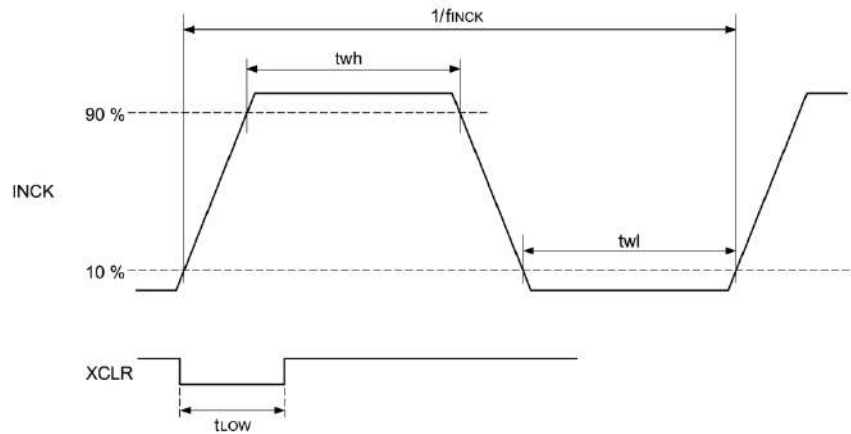
Item		Pins	Symbol	Min.	Typ.	Max.	Unit
Supply voltage	Analog	$V_{DDSUB}$ , $V_{DDHCM}$ , $V_{DDHPX}$ , $V_{DDHDA}$ , $V_{DDHCP}$	$V_{ADD}$	2.70	2.80	2.90	V
	Digital 1	$V_{DDL1}$ to 2, $V_{DDL2}$ to 2, $V_{DDL3}$ to 3, $V_{DDL4}$ to 2	$V_{DDD1}$	1.10	1.20	1.30	V
	Digital 2	$V_{DDMIO}$	$V_{DDD2}$	1.70	1.80	1.90	V
Digital input voltage	SDA, SCL		$V_{IH1}$	$0.7 \times V_{DDD2}$	—	1.9	V
			$V_{IL1}$	-0.3	—	$0.3 \times V_{DDD2}$	V
	XCLR, INCK		$V_{IH2}$	$0.65 \times V_{DDD2}$	—	$V_{DDD2} + 0.3$	V
			$V_{IL2}$	-0.3	—	$0.35 \times V_{DDD2}$	V





# AC Characteristics

## INCK, XCLR



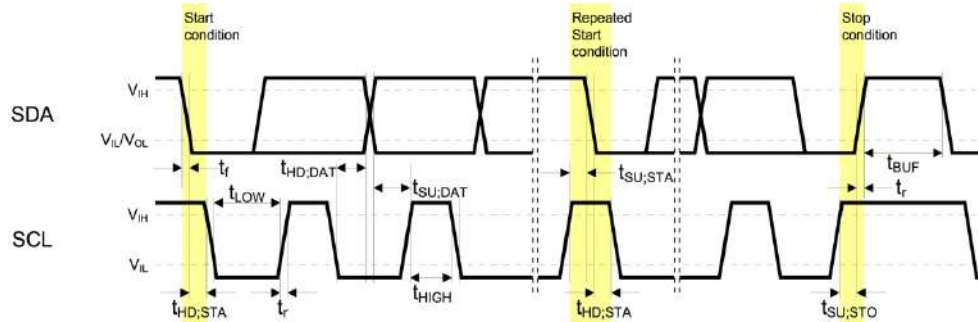
Item	Symbol	Min.	Typ.	Max.	Unit
INCK clock frequency	$f_{INCK}$	6	—	27	MHz
INCK Low level pulse width	$t_{wl}$	5	—	—	ns
INCK High level pulse width	$t_{wh}$	5	—	—	ns
Clock duty	—	40	50	60	%
XCLR Low level pulse width	$t_{LOW}$	100	—	—	ns



Leopard Imaging Inc.

1130 Cadillac Ct., Milpitas, CA 95035, USA  
 Phone: +1-408-263-0988  
 Fax: +1-408-217-1960  
 Email: sales@leopardimaging.com  
 Website: www.leopardimaging.com

## I<sup>2</sup>C Communication



### I<sup>2</sup>C Specification

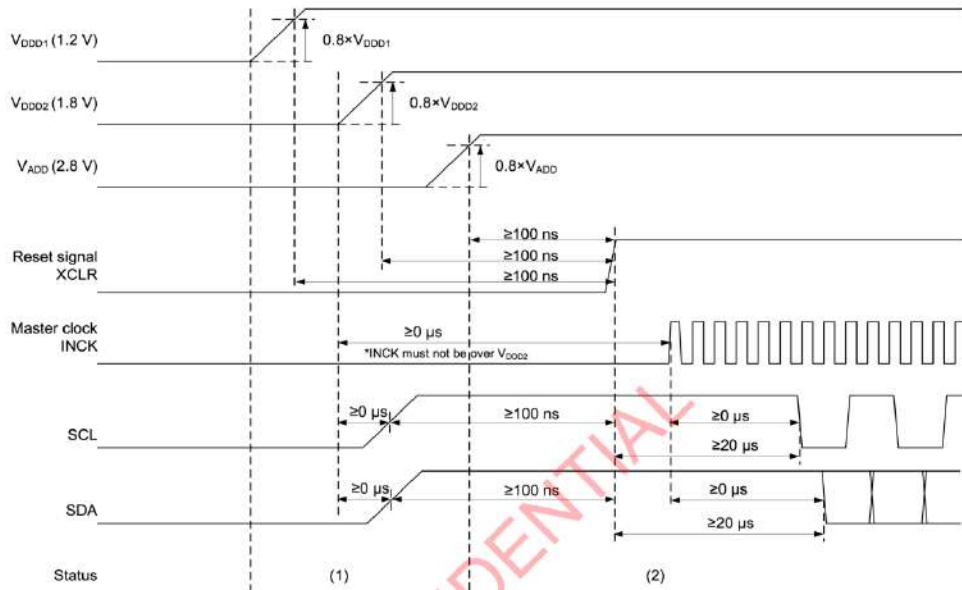
Item	Symbol	Min.	Typ.	Max.	Unit	Remarks
Low level input voltage	$V_{IL}$	-0.3	—	$0.3 \times V_{DD2}$	V	
High level input voltage	$V_{IH}$	$0.7 \times V_{DD2}$	—	1.9	V	
Low level output voltage	$V_{OL}$	0	—	$0.2 \times V_{DD2}$	V	$V_{DD2} < 2\text{ V}$ , Sink 3 mA
Output fall time	$t_{of}$	—	—	250	ns	Load 10 pF to 400 pF, $0.7 \times V_{DD2}$ to $0.3 \times V_{DD2}$
Input current	$I_i$	-10	—	10	$\mu\text{A}$	$0.1 \times V_{DD2}$ to $0.9 \times V_{DD2}$
Input capacitance of SCL / SDA	$C_i$	—	—	10	pF	

### I<sup>2</sup>C AC Characteristics

Item	Symbol	Min.	Typ.	Max.	Unit
SCL clock frequency	$f_{SCL}$	0	—	400	kHz
Hold time (Start Condition)	$t_{HD,STA}$	0.6	—	—	$\mu\text{s}$
Low period of the SCL clock	$t_{LOW}$	1.3	—	—	$\mu\text{s}$
High period of the SCL clock	$t_{HIGH}$	0.6	—	—	$\mu\text{s}$
Set-up time (Repeated Start Condition)	$t_{SU,STA}$	0.6	—	—	$\mu\text{s}$
Data hold time	$t_{HD,DAT}$	0	—	0.9	$\mu\text{s}$
Data set-up time	$t_{SU,DAT}$	100	—	—	ns
Rise time of both SDA and SCL signals	$t_r$	—	—	300	ns
Fall time of both SDA and SCL signals	$t_f$	—	—	300	ns
Set-up time (Stop Condition)	$t_{SU,STO}$	0.6	—	—	$\mu\text{s}$
Bus free time between a STOP and START Condition	$t_{BUF}$	1.3	—	—	$\mu\text{s}$



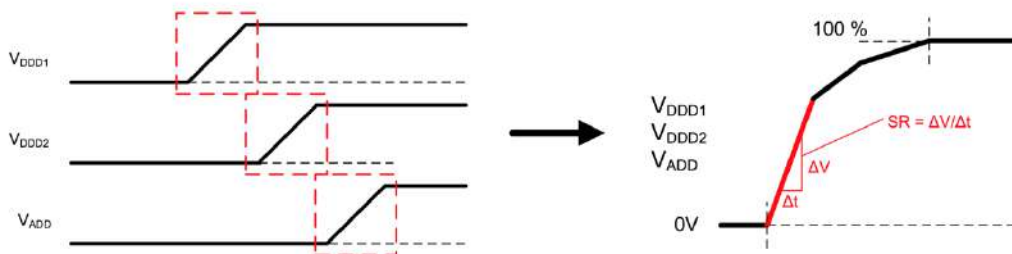
## Power-on Sequence



Period name	Remarks
(1) Power stabilization period	All input signals are set to Low level. There are no constraints of the power-on sequence with V <sub>ADD</sub> , V <sub>DD01</sub> and V <sub>DD02</sub> .
(2) Register communication period for standby cancel	Wait 100 ns after the last power supply in V <sub>ADD</sub> , V <sub>DD01</sub> and V <sub>DD02</sub> . Then set XCLR to "H" and start the standby cancel sequence.

## Slew Rate Limitation of Power-on Sequence

Conform the slew rate limitation shown below when power supply change 0 V to each voltage (0 % to 100 %) in power-on sequence.



Slew rate of power supply

Item	Symbol	Power supply	Min.	Max.	Unit	Remarks
Slew rate	SR	V <sub>DD01</sub> (1.2 V)	—	25	mV/μs	
		V <sub>DD02</sub> (1.8 V)	—	25	mV/μs	
		V <sub>ADD</sub> (2.8 V)	—	25	mV/μs	

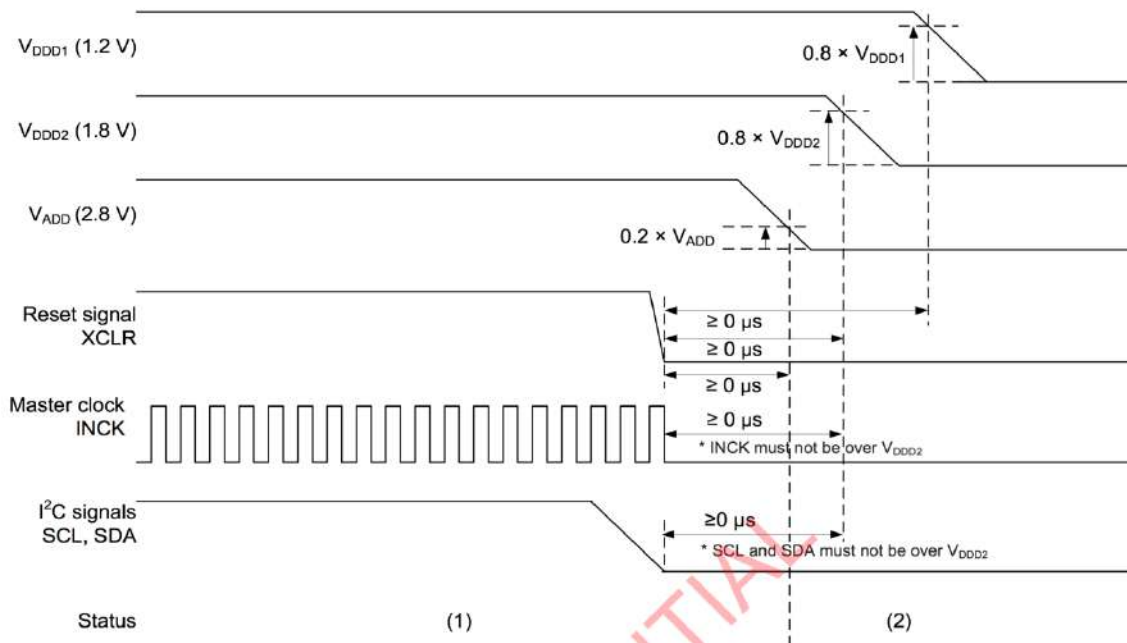


Leopard Imaging Inc.

1130 Cadillac Ct., Milpitas, CA 95035, USA  
 Phone: +1-408-263-0988  
 Fax: +1-408-217-1960  
 Email: sales@leopardimaging.com  
 Website: www.leopardimaging.com

# Power-off Sequence

Make sure that all input signals are set to LOW level in the area of (2).



Period name	Remarks
(1) Pixel output period	Pixel signal output period
(2) Power-off period	<p>Turn the power supplies off after all input signals are set to "Low" level except SCL and SDA.</p> <p>Set SCL and SDA to "Low" level at the same time with turning off the power supply of <math>V_{DD2}</math>.</p> <p>There are no constraints of the power-off sequence with <math>V_{ADD}</math>, <math>V_{DD1}</math>, and <math>V_{DD2}</math>.</p>



Leopard Imaging Inc.

1130 Cadillac Ct., Milpitas, CA 95035, USA  
 Phone: +1-408-263-0988  
 Fax: +1-408-217-1960  
 Email: sales@leopardimaging.com  
 Website: www.leopardimaging.com

## X-ON Electronics

Largest Supplier of Electrical and Electronic Components

*Click to view similar products for [Video IC Development Tools](#) category:*

*Click to view products by [Leopard Imaging](#) manufacturer:*

Other Similar products are found below :

[TW6872-NA1-CR-EVALZ](#) [MAX3815AHDMIEVKIT+ 1937](#) [ADZS-DECODE-EX3](#) [SEN0173](#) [EBK-GS2972-00](#) [LF-PNV-EVN](#) [EP-DCOV2735-F36](#) [UP-PACK-VISION-002](#) [3100](#) [3202](#) [397](#) [EVAL-AD9984AEBZ](#) [EVAL-ADV7180LFEBZ](#) [EVAL-ADV7181CLQEBZ](#) [EVAL-ADV7280EBZ](#) [EVAL-ADV7281MAEBZ](#) [EVAL-ADV7282EBZ](#) [EVAL-ADV7282MEBZ](#) [EVAL-ADV7341EBZ](#) [107784](#) [108024](#) [108025](#) [108320](#) [108329](#) [ME810A-HV35R-BK](#) [VM800BU35A-PL](#) [VM801B43A-BK](#) [VM801B50A-BK](#) [VM801P50A-BK](#) [VM801P43A-BK](#) [DFR0498](#) [ESP-EYE](#) [82535IVCQSPL04N](#) [82634DSQSCR](#) [030-0276-0101\\_A](#) [QC-DB-I10006](#) [DP-VIP-I-EVN](#) [DP-VIP-O-EVN](#) [USB3-VIP-EVN](#) [CS-DEPTHAI-05](#) [CS-DEPTHAI-06](#) [AGB1N0CS-GEVK](#) [PIM365](#) [PIM366](#) [101020892](#) [103990057](#) [114991702](#) [EBK-GS2971A-00](#) [LMH1980MMEVAL/NOPB](#)