

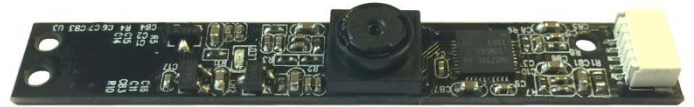


LEOPARD IMAGING INC

# LI-OV2640-USB-M6 Data Sheet

## Key Features

- Support 2M video streaming
- MJPEG compression
- USB 2.0 compliance
- Size: 60mmx9mm
- Low cost with high quality
- Customized based on customer's specs



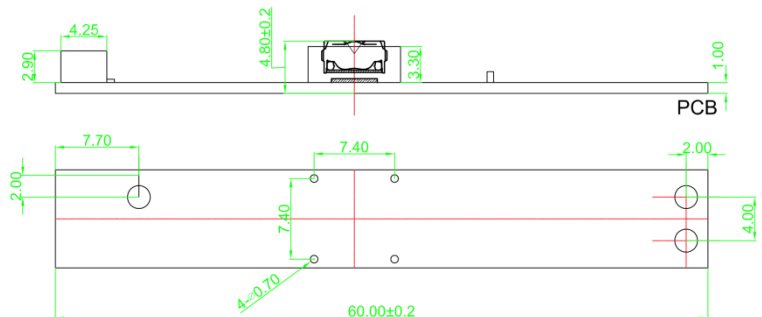
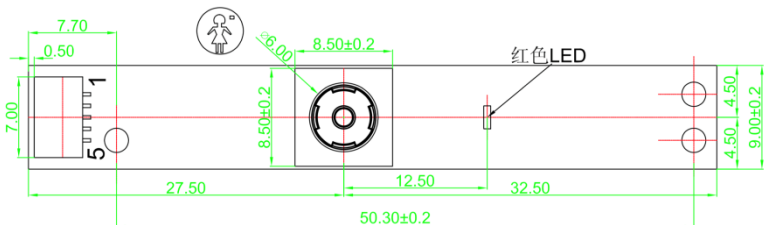
## Lens Specification

- Focusing Range: 23cm to infinity
- Focal Length: 3.21mm
- F Number: 2.8
- Fov (D/H/V): 63 °/52 °/40 °
- TV Distortion: <1%
- Sensor: OV2640

## Interface (SM05B-SRSS-TB)

5 Pin USB Connector (SM05B-SRSS-TB)	
Pin No.	Name
1	USB_5V
2	USB_DM
3	USB_DP
4	GND
5	Shield_Ground

## Dimensions



Leopard Imaging Inc.

48820 Kato Rd, Suite 100B, Fremont, CA 94538, USA  
 Phone: +1-408-263-0988  
 Fax: +1-408-217-1960  
 Email: sales@leopardimaging.com  
 Website: www.leopardimaging.com

# Specification

General Behavior	
Video Resolution @ Frame rate	1600 x 1200 MJPEG @ 15 fps 1280 x 1024 MJPEG @ 7 fps 800 x 600 MJPEG @ 30 fps 640 x 480 MJPEG @ 30 fps 352 x 288 MJPEG @ 30 fps 320 x 240 MJPEG @ 30 fps
Adjustment	TBD
Interface (Optical)	
Sensor specification	OmniVision OV2640 CMOS UXGA sensor
Shutter	Rolling
Format	1/4"
Resolution	H:1600, V:1200
Pixel size	H:2.2 um, V: 2.2 um
Sensitivity	0.6 V/Lux-sec
S/N Ratio	40 dB
Dynamic Range	50 dB
Dark Current	15 mV/s at 60 °C
Lens	M6 lens
Interface (Electrical)	
Interface	USB 2.0
Supply voltage	USB 2.0 +5 VDC power source
Current consumption	Approx. 150 mA at 5 VDC
Interface (Mechanical)	
Dimensions	L: 60 mm, W: 9 mm, H: 4.8 mm
Mass	8 g
Environmental	
Max. temperature (stable image)	0 °C ~ 50 °C (32 °F~ 122 °F)
Max. temperature (operation)	-10 °C ~ 60 °C (14 °F~ 140 °F)
Max. temperature (storage)	-20 °C ~ 80 °C (-4 °F~176 °F)
Max. humidity (operation)	20 % ~ 80 %, relative, non-condensing
Max. humidity (storage)	20 % ~ 80 %, relative, non-condensing



Leopard Imaging Inc.

48820 Kato Rd, Suite 100B, Fremont, CA 94538, USA  
Phone: +1-408-263-0988  
Fax: +1-408-217-1960  
Email: sales@leopardimaging.com  
Website: www.leopardimaging.com

## X-ON Electronics

Largest Supplier of Electrical and Electronic Components

*Click to view similar products for [Cameras & Camera Modules](#) category:*

*Click to view products by [Leopard Imaging](#) manufacturer:*

Other Similar products are found below :

[FH-SC](#) [CAMOV5645](#) [73-540-420I](#) [Web Camera module 5.0M pixel](#) [LI-IMX424-GMSL2-070H](#) [73-951-0046](#) [73-954-0001T](#) [73-961-0005](#)  
[1202](#) [1203](#) [73-961-0003](#) [73-961-0012](#) [107139](#) [106983](#) [107115](#) [107149](#) [107142](#) [82535IVCHVM](#) [107140](#) [107113](#) [107112](#) [107141](#) [107147](#)  
[107148](#) [107110](#) [107150](#) [107145](#) [107111](#) [OKY3553](#) [10299](#) [10300](#) [11388](#) [613](#) [EP-DCINTELD-415](#) [1386](#) [4321](#) [4561](#) [43203](#) [104002](#)  
[105716](#) [105993](#) [107206](#) [107645](#) [107646](#) [107655](#) [108010](#) [108172](#) [108173](#) [CLEO-CAM1](#) [107114](#)