



LEOPARD IMAGING INC

Rev. 1.2

LI-USB30-MIPI-TESTER

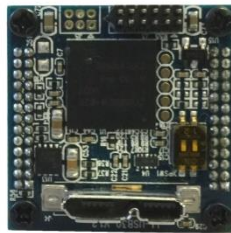
Data Sheet

Key Features

- USB 3.0 Super Speed support
- UVC compliance
- 3 MIPI interfaces
- Provide customization services
- USB +5VDC powered device
- Compact Size: 26mmx26mmx19mm
- 2 Boards are stacked
- Weight: 10 g
- Part#: **LI-USB30-MIPI-TESTER**



MIPI Interfaces

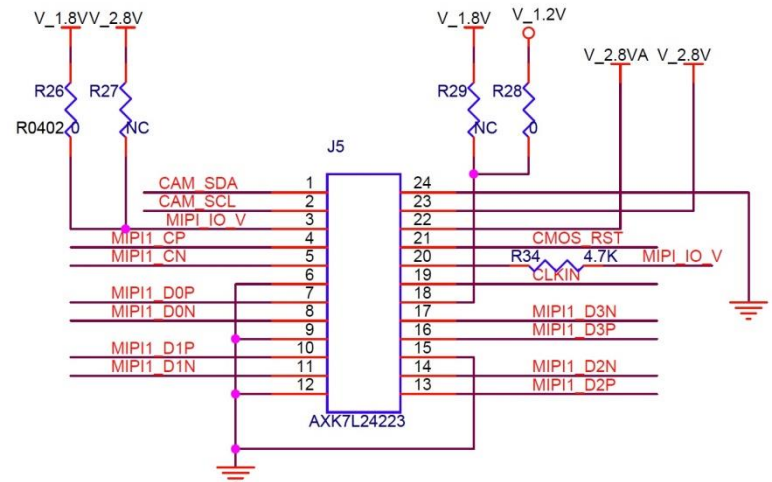


Interface J5

- Part#: AXK7L24223
- Number of Positions: 24
- Pitch: 0.4 mm

SDK Supported

- Camera Tool Source Code in C#
- Capture & Display
- OpenCV supported through Emgu
- RAW to RGB Conversion
- Save file as BMP & RAW format

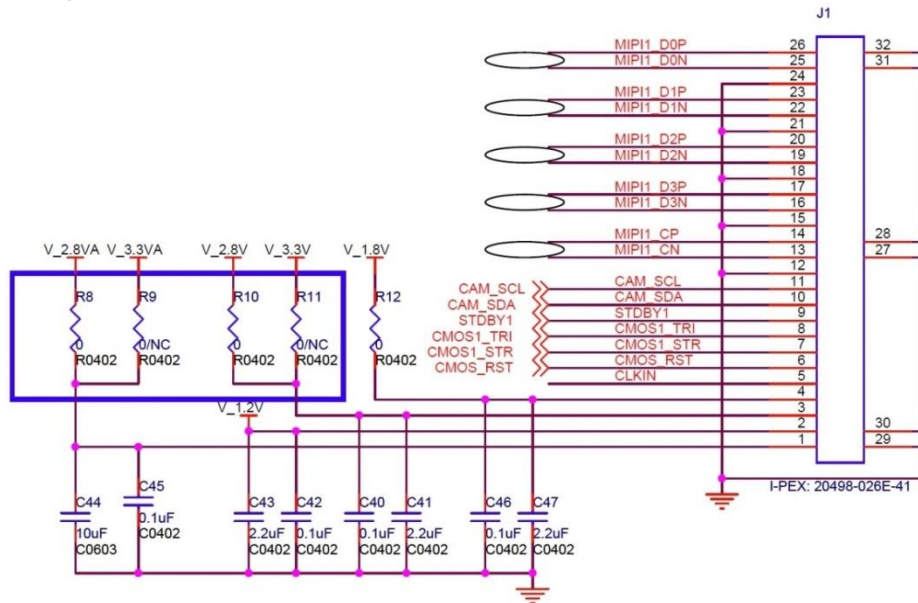


Leopard Imaging Inc.

1130 Cadillac Ct., Milpitas, CA 95035, USA
 Phone: +1-408-263-0988
 Fax: +1-408-217-1960
 Email: sales@leopardimaging.com
 Website: www.leopardimaging.com
 www.leopard-security.com

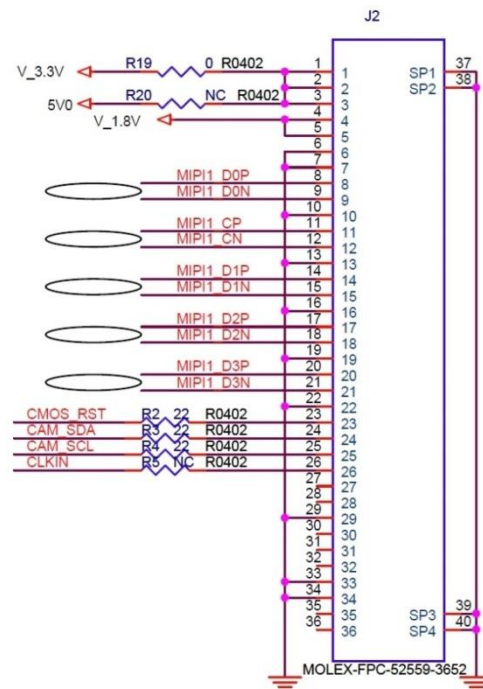
Interface J1

- Part#: 20498-026E-41
- Number of Positions: 26
- Shell Plating: Sn
- Vacuum Clip: With
- Mating I-PEX cable: LI-FAW-1212-T1 (200mm)



Interface J2

- Part#: 0525593652
- Number of Positions: 36
- Pitch: 0.020" (0.50mm)
- FFC, FCB Thickness: 0.30mm
- Mating Flex cable: LI-FLEX03 (60mm)



Leopard Imaging Inc.

1130 Cadillac Ct., Milpitas, CA 95035, USA
 Phone: +1-408-263-0988
 Fax: +1-408-217-1960
 Email: sales@leopardimaging.com
 Website: www.leopardimaging.com
 www.leopard-security.com

Interface J5

J5 of LI-USB30-MIPI-TESTER supports below modules:

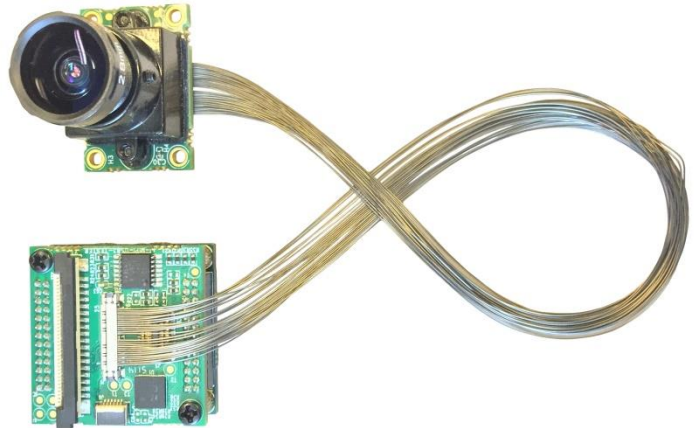
1. LI-OV8865-MIPI-AF
2. LI-OV13850-MIPI-AF
3. LI-OV2685-MIPI-FF



Interface J1

J1 of LI-USB30-MIPI-TESTER supports below modules:

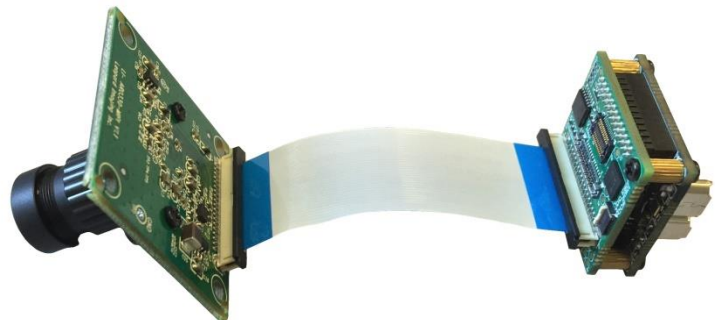
1. LI-OV4689-MIPI
2. LI-V024M-MIPI
3. LI-M021C-MIPI
4. LI-M021M-MIPI



Interface J2

J2 of LI-USB30-MIPI-TESTER supports below modules:

1. LI-CAM-AR0330-MIPI
2. LI-CAM-IMX224-MIPI
3. LI-CAM-OV10640-MIPI



X-ON Electronics

Largest Supplier of Electrical and Electronic Components

Click to view similar products for [Cameras & Camera Modules](#) category:

Click to view products by [Leopard Imaging](#) manufacturer:

Other Similar products are found below :

[FH-SC](#) [CAMOV5645](#) [73-540-420I](#) [Web Camera module 5.0M pixel](#) [LI-IMX424-GMSL2-070H](#) [73-951-0046](#) [73-954-0001T](#) [73-961-0005](#)
[1202](#) [1203](#) [73-961-0003](#) [73-961-0012](#) [107139](#) [106983](#) [107115](#) [107149](#) [107142](#) [82535IVCHVM](#) [107140](#) [107113](#) [107112](#) [107141](#) [107147](#)
[107148](#) [107110](#) [107150](#) [107145](#) [107111](#) [OKY3553](#) [10299](#) [10300](#) [11388](#) [613](#) [EP-DCINTELD-415](#) [1386](#) [4321](#) [4561](#) [43203](#) [104002](#)
[105716](#) [105993](#) [107206](#) [107645](#) [107646](#) [107655](#) [108010](#) [108172](#) [108173](#) [CLEO-CAM1](#) [107114](#)